

Concealed

Built in Basin Mixer Box

Article no.: 470400000
Finish: Chrome
Series: Concealed

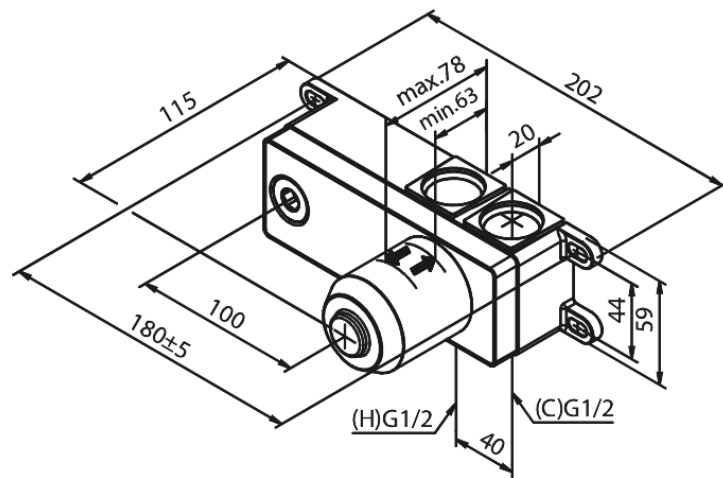
EAN no.: 5708516823421



Standard features:

Build-in depth (min. 63mm - max. 78mm)
Ceramic Parts

Product features



FM Mattsson Denmark ApS
Hvidkærvej 48, 5250 Odense SV, DK-56416218

+45 88 33 00 34 damixa-international@fmmattsongroup.com

Mere information på damixa.com

damixa