

Arc

Shower Mixer

Article no.: 292007400
Finish: Chrome/Black
Series: Arc

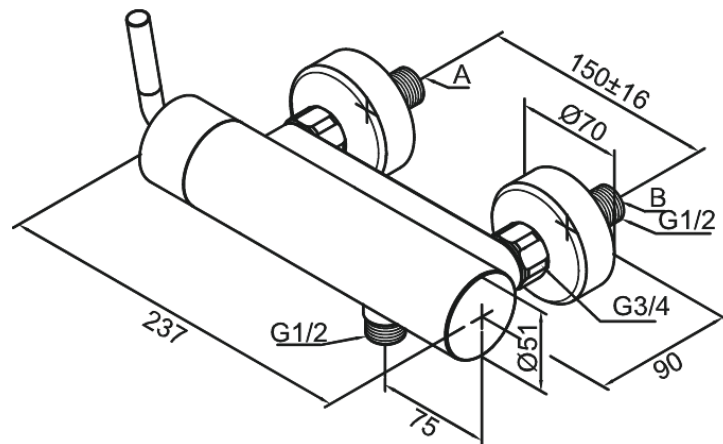
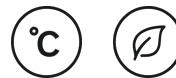
EAN no.: 5708516726845



Standard features:

Ceramic cartridge
Scalding protection (38°C)
Water consumption max.20 l/min
Standard 150mm centres
Eco-Click water saving feature
With 3/4" wall plates & eccentric unions
1/2" connection for hand shower hose

Product features



FM Mattsson Denmark ApS
Hvidkærvej 48, 5250 Odense SV, DK-56416218

+45 88 33 00 34 damixa-international@fmmattsongroup.com

Mere information på damixa.com

damixa