

Pine

# Thermixa 700 Thermostatic Shower Mixer

**Article no.:** 574070000  
**Finish:** Chrome  
**Series:** Pine

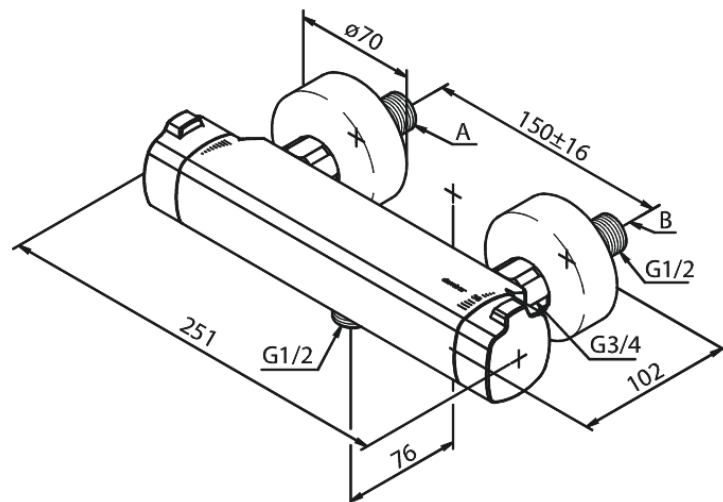
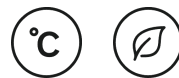
**EAN no.:** 5708516821571



## Standard features:

Ceramic cartridge  
Water consumption max. 12 l/min  
Standard 150mm centres  
With 3/4" wall plates & eccentric unions  
1/2" connection for hand shower hose

## Product features



FM Mattsson Denmark ApS  
Hvidkærvej 48, 5250 Odense SV, DK-56416218

+45 88 33 00 34 [damixa-international@fmmattsongroup.com](mailto:damixa-international@fmmattsongroup.com)

Mere information på [damixa.com](http://damixa.com)

**damixa**