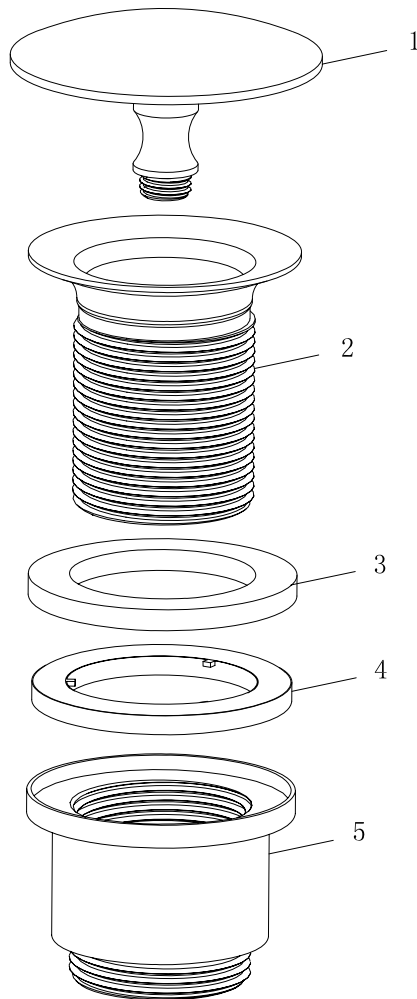
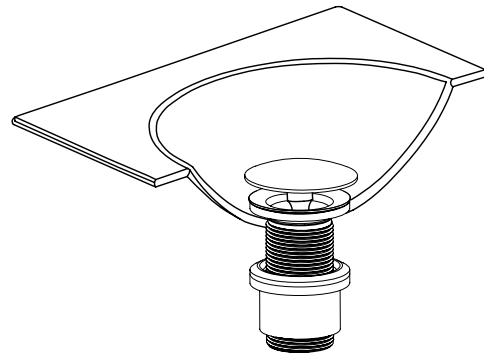
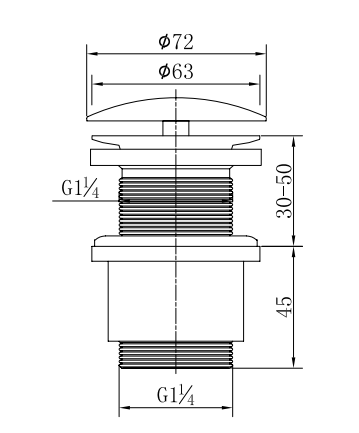




**DANSANI®**



REF	A85	00
1	Top	1
2	Waste	1
3	Foam	1
4	Rubber	1
5	Adaptor	1
NO.	NAME	QTY

