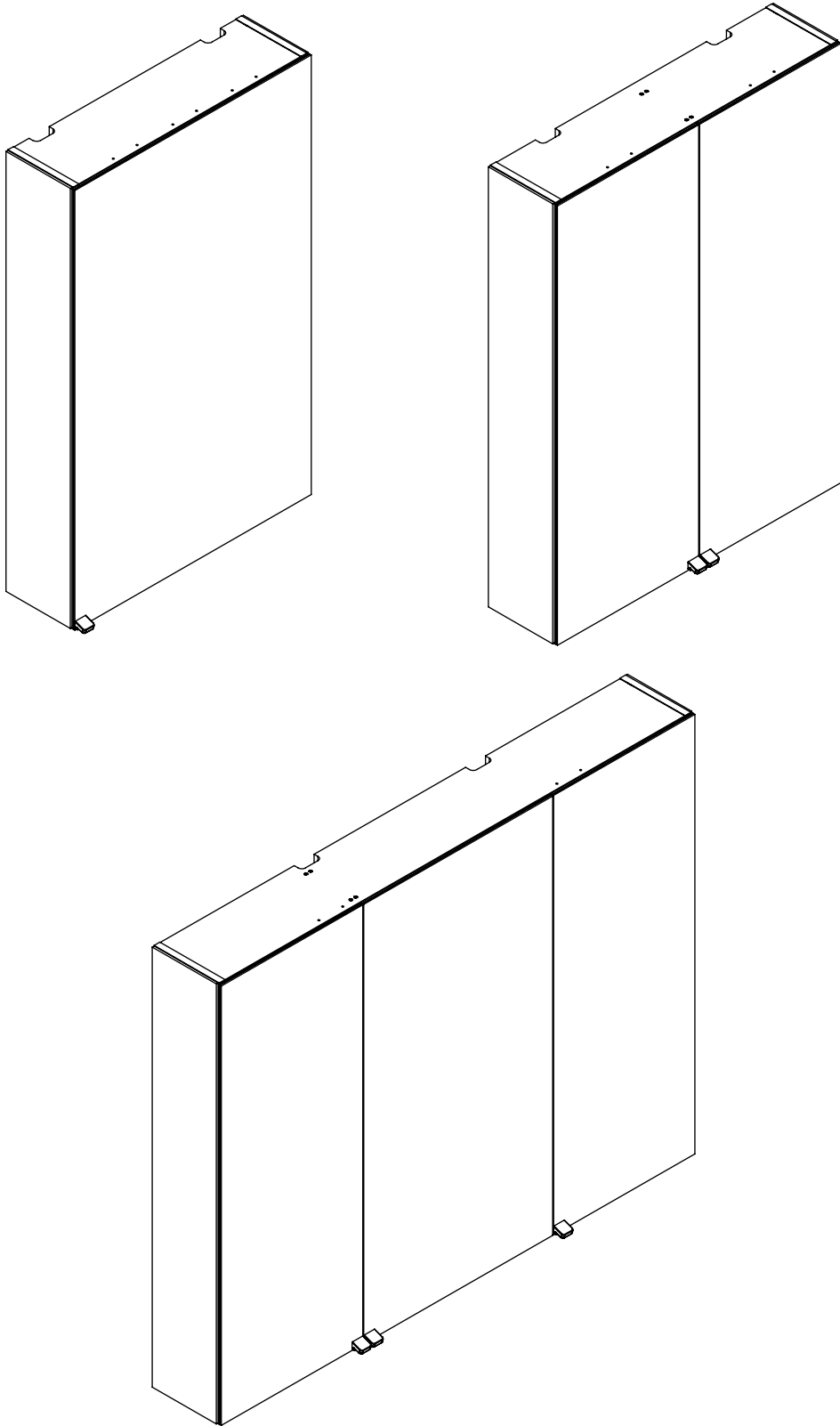
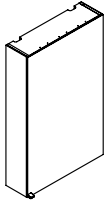




**DANSANI**  
DANISH BATHROOM DESIGN





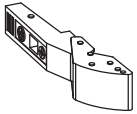
2x  
190040245

6x  
5-500

6x  
5,0-60SU

6x  
390010067

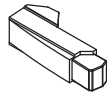
12x  
415533



2x  
190040240



2x  
3,5-20SU



1x  
190040631



1x  
190040632



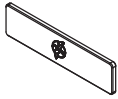
1x  
390010110



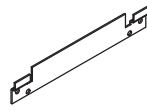
2x  
19500000



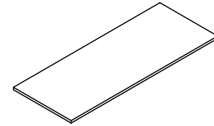
1x  
840400147



1x  
520800100



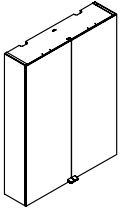
1x  
546250046



3x  
820851101



1x  
190040310



6x  
5-500



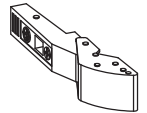
6x  
5,0-60SU



6x  
390010067



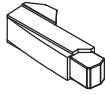
24x  
415533



4x  
190040240



4x  
3,5-20SU



2x  
190040631



2x  
190040632



2x  
390010110



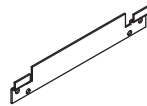
4x  
19500000



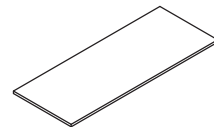
2x  
840400147



1x  
520800100



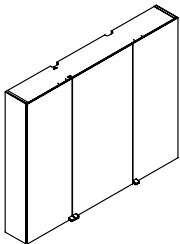
1x  
5462x0046



6x  
8208x0101



1x  
190040310



6x  
5-500



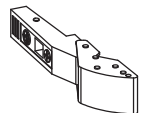
6x  
5,0-60SU



6x  
390010067



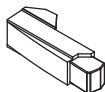
36x  
415533



6x  
190040240



6x  
3,5-20SU



3x  
190040631



3x  
190040632



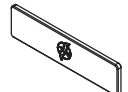
3x  
390010110



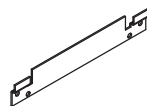
6x  
19500000



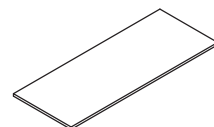
3x  
840400147



1x  
520800100



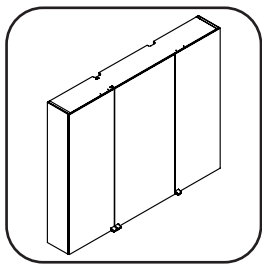
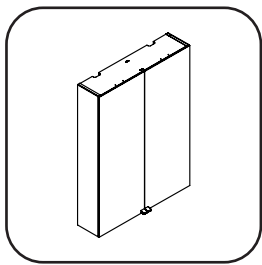
1x  
5462x0046



9x  
8208x0101

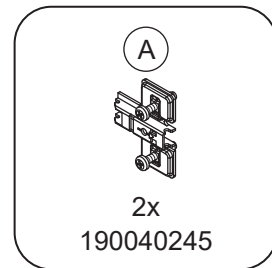
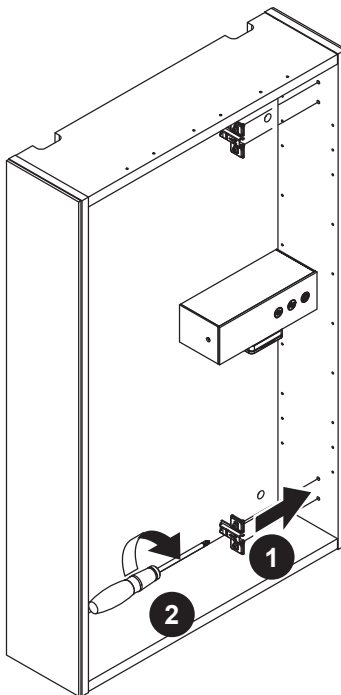
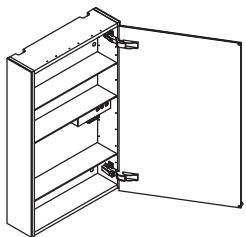


1x  
190040310

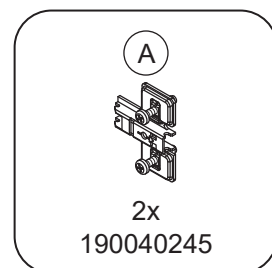
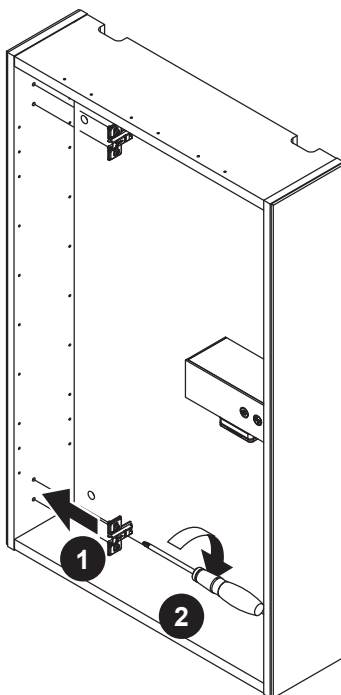
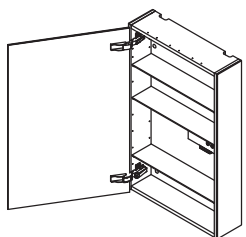


→ 2

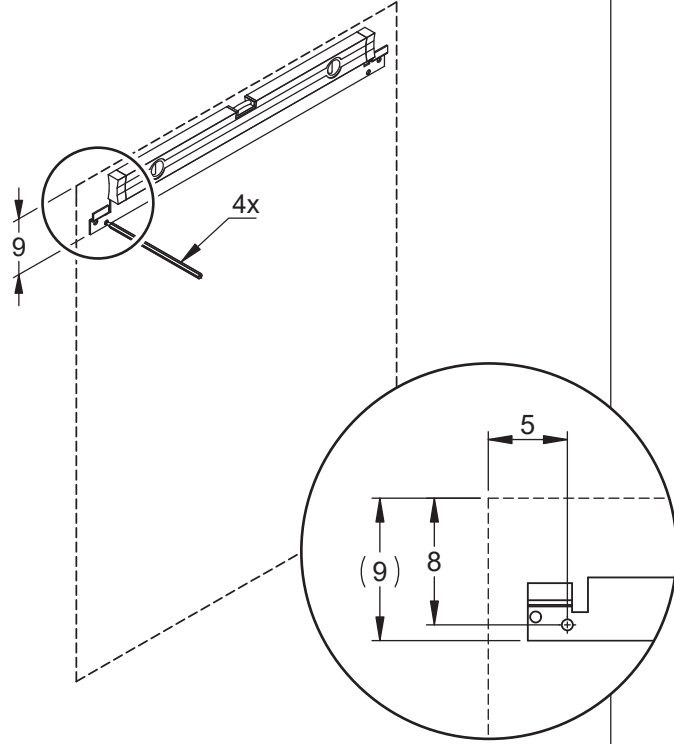
# 1A



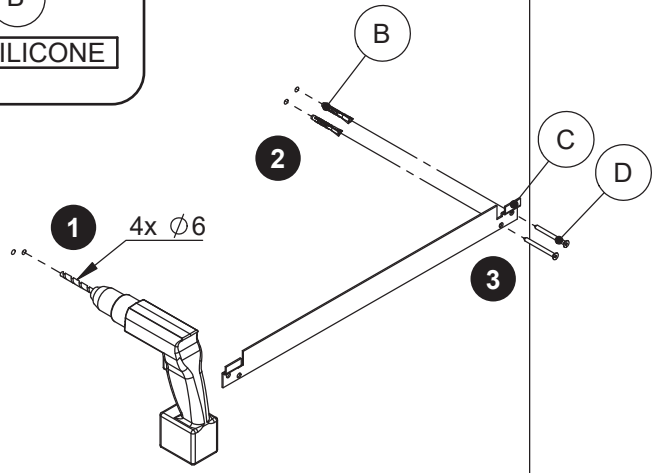
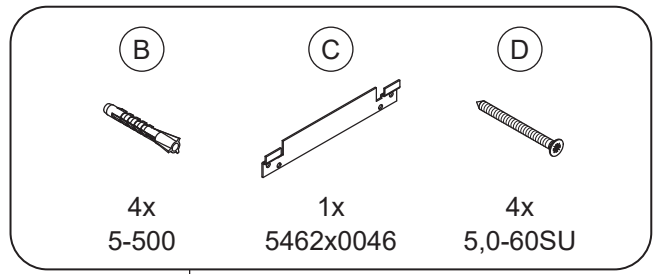
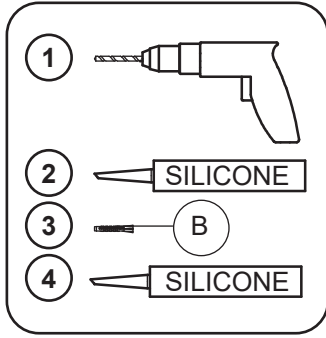
# 1B



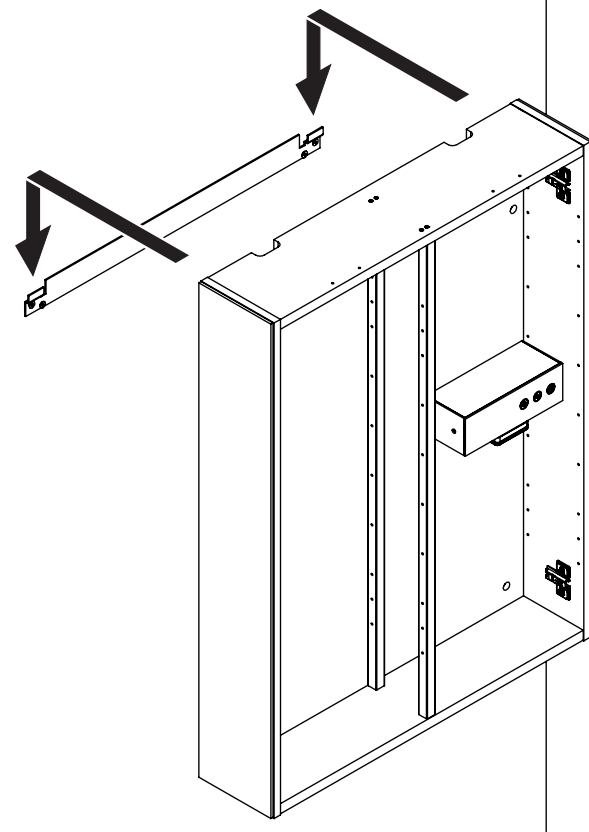
2



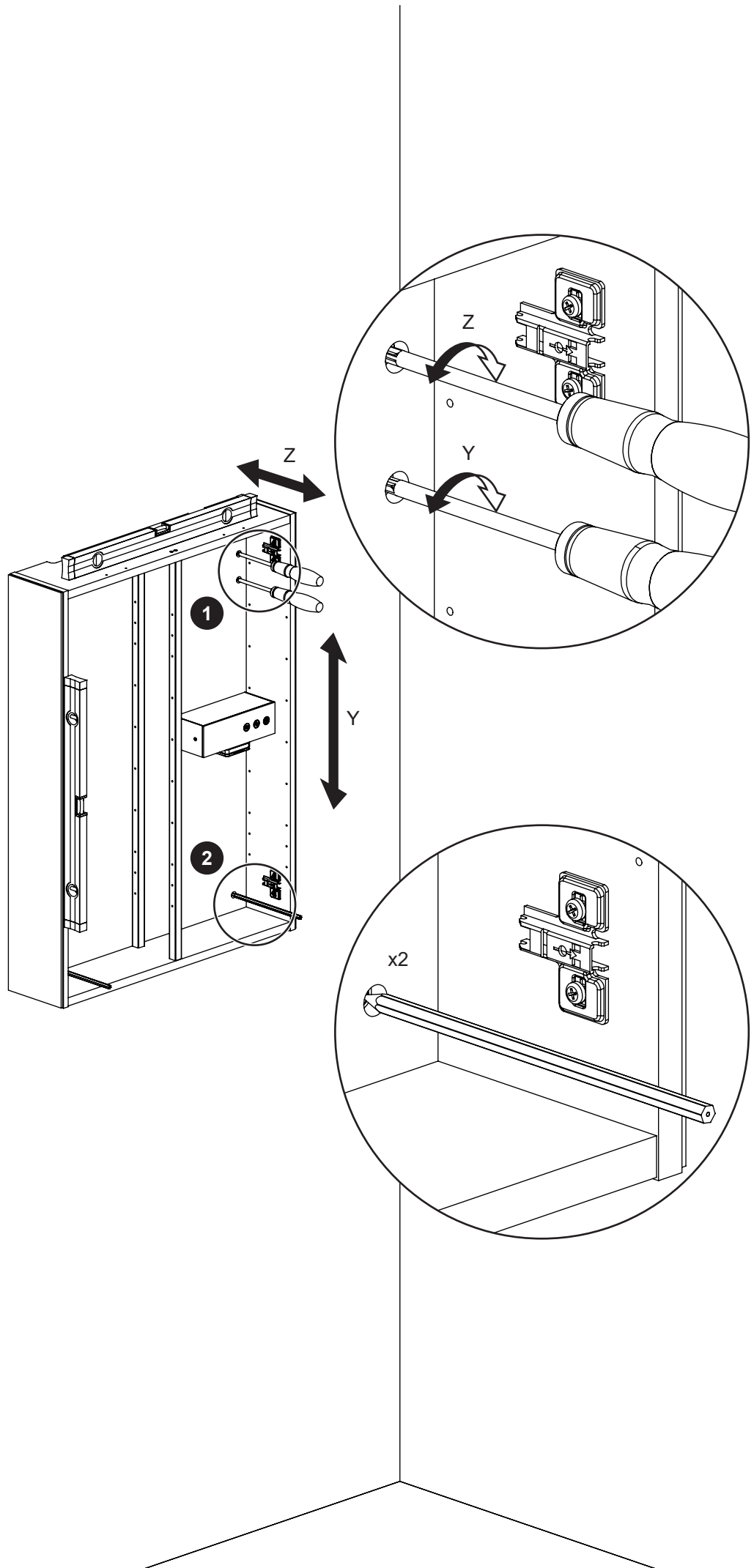
# 3



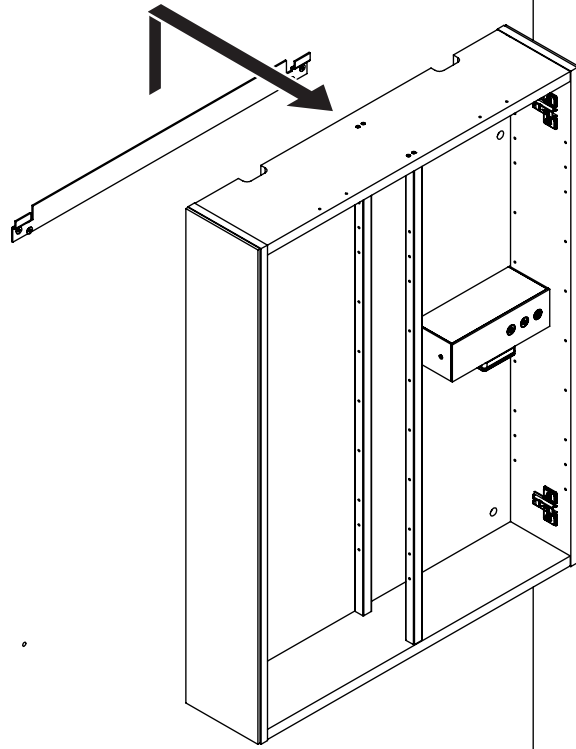
# 4



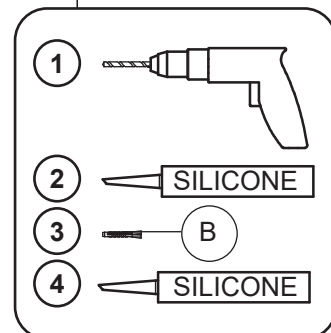
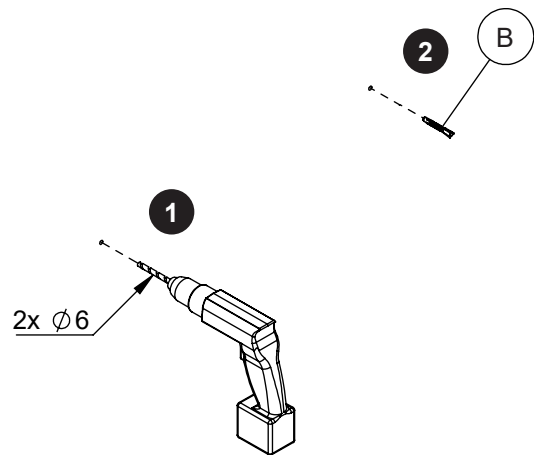
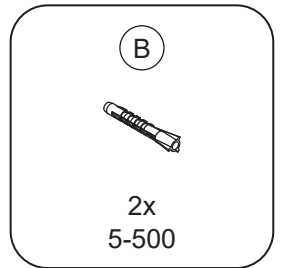
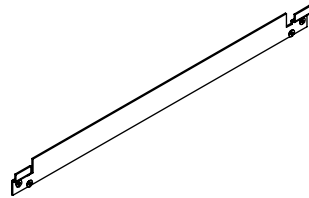
# 5

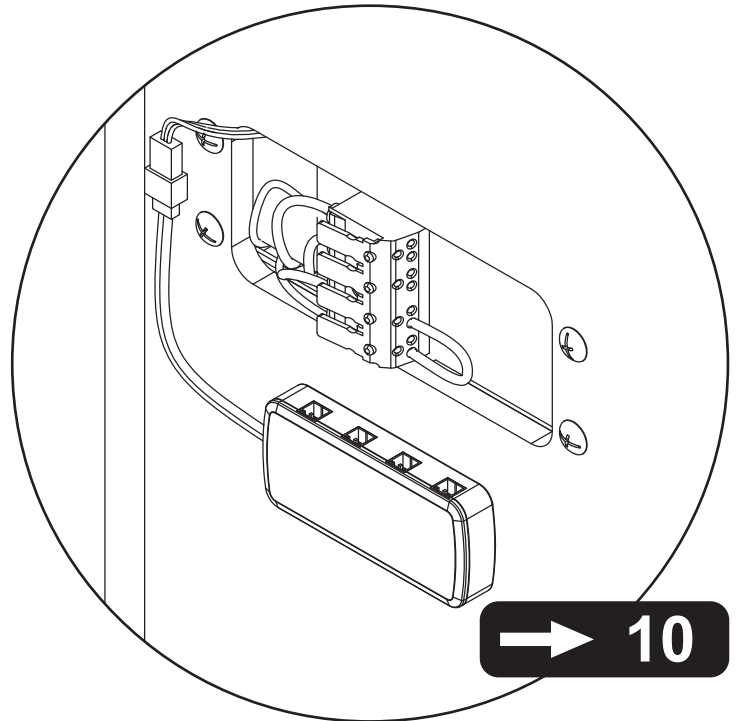
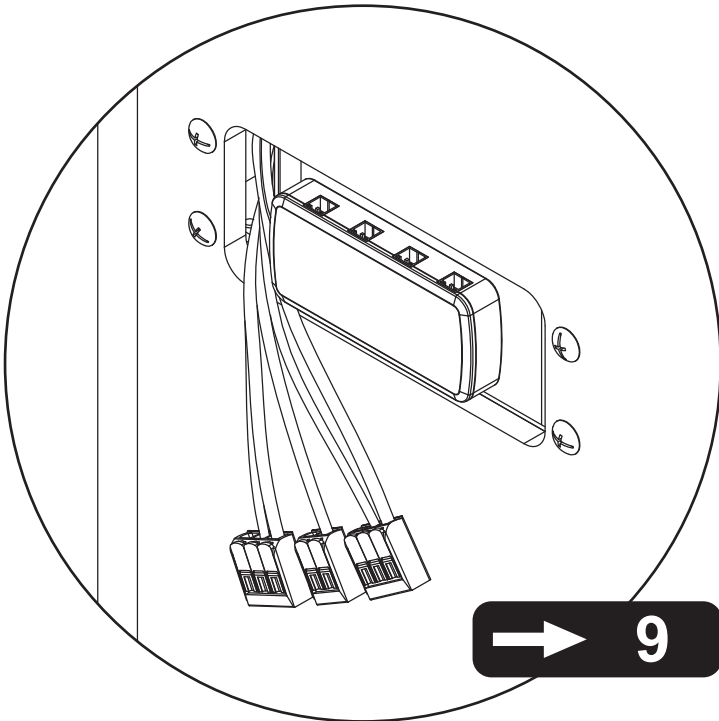
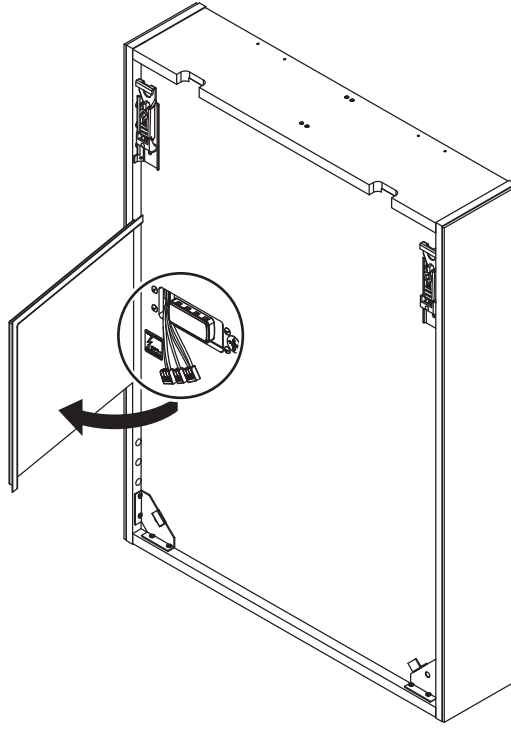


# 6

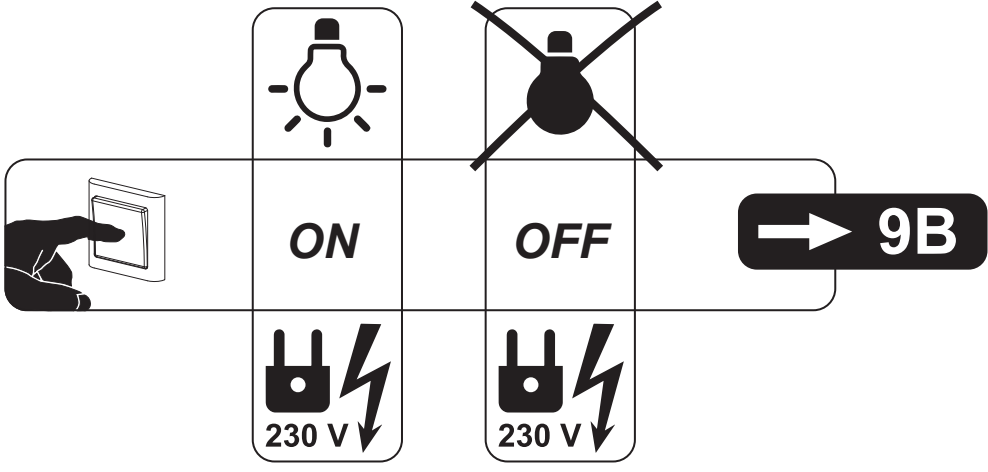
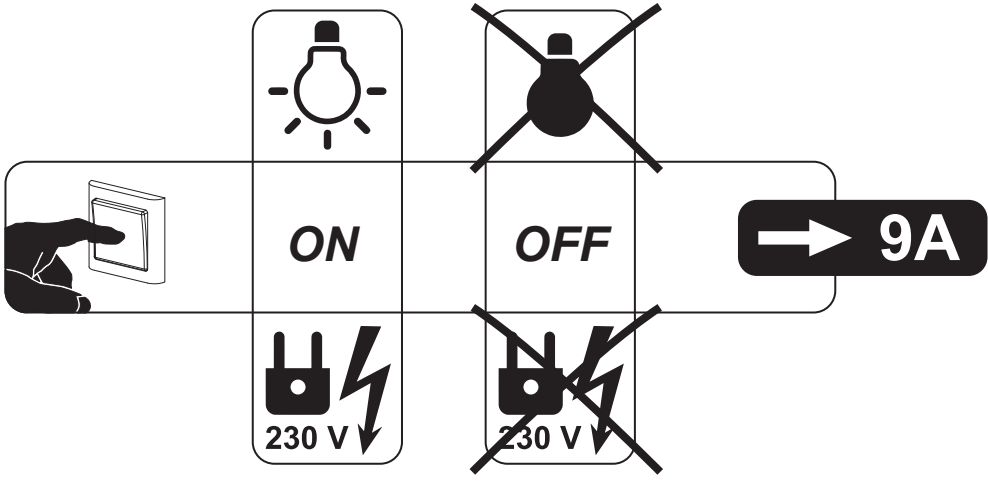
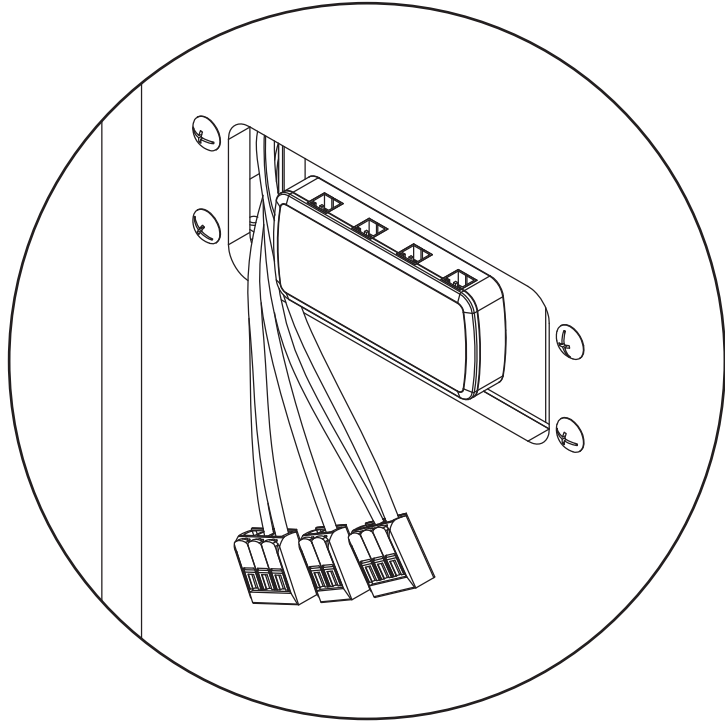


# 7

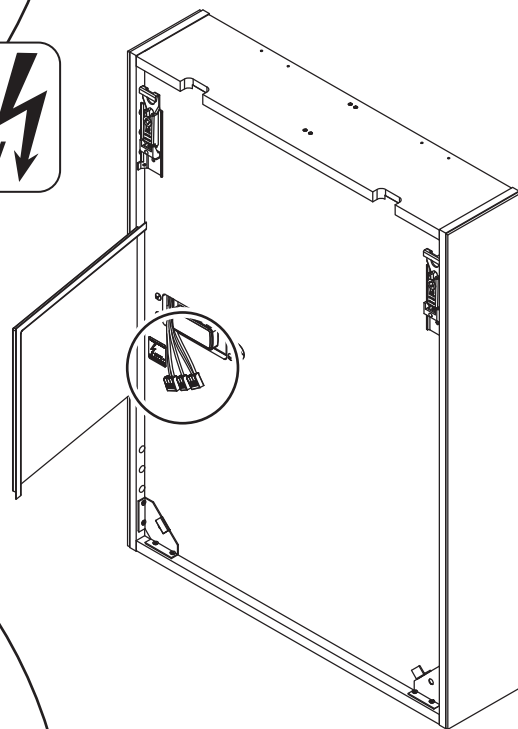
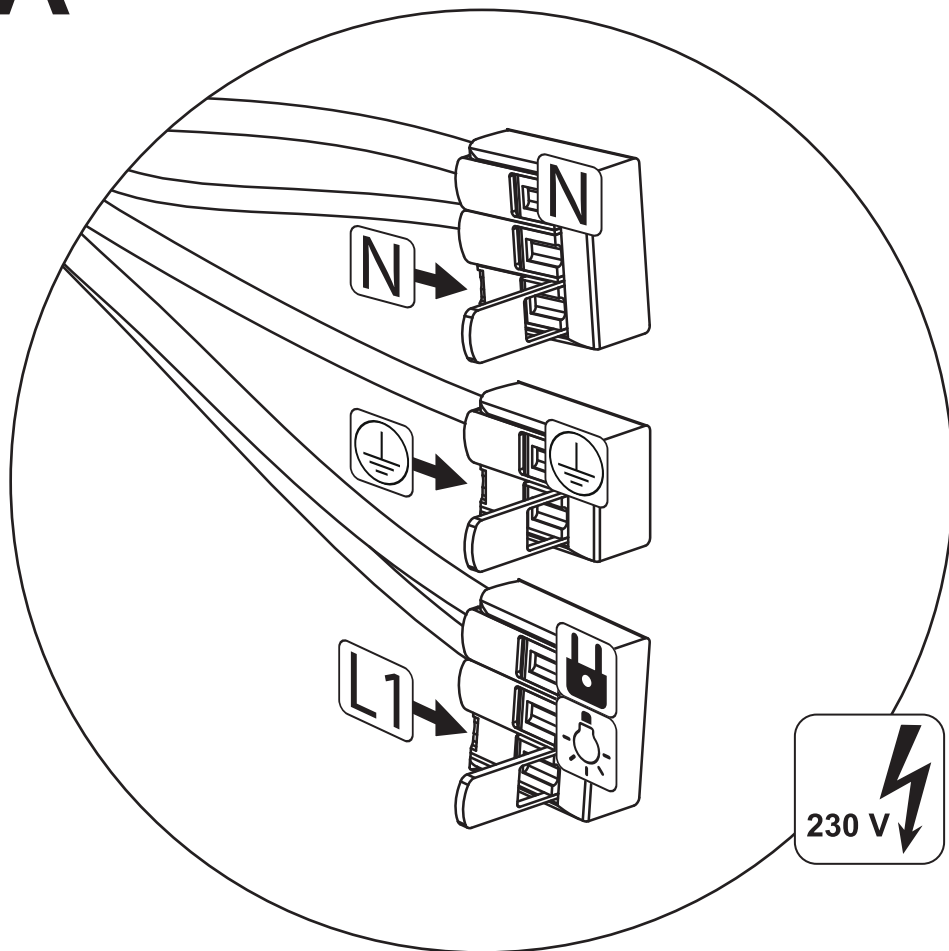




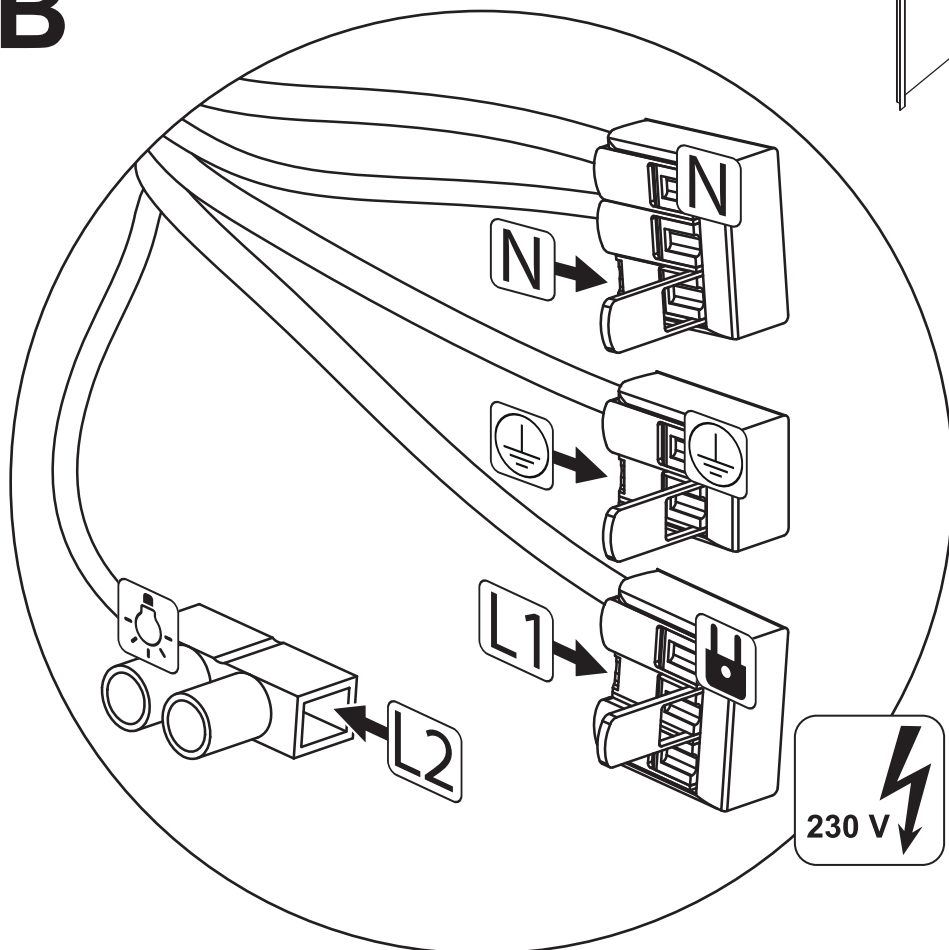




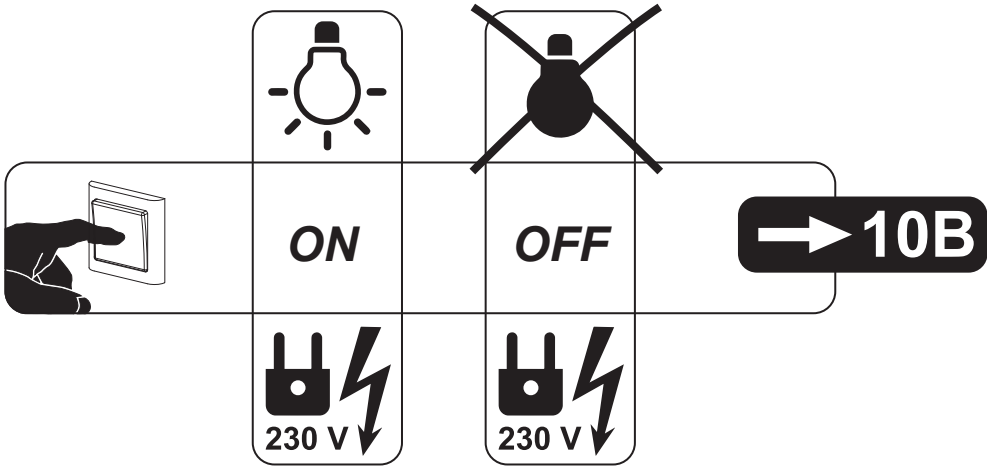
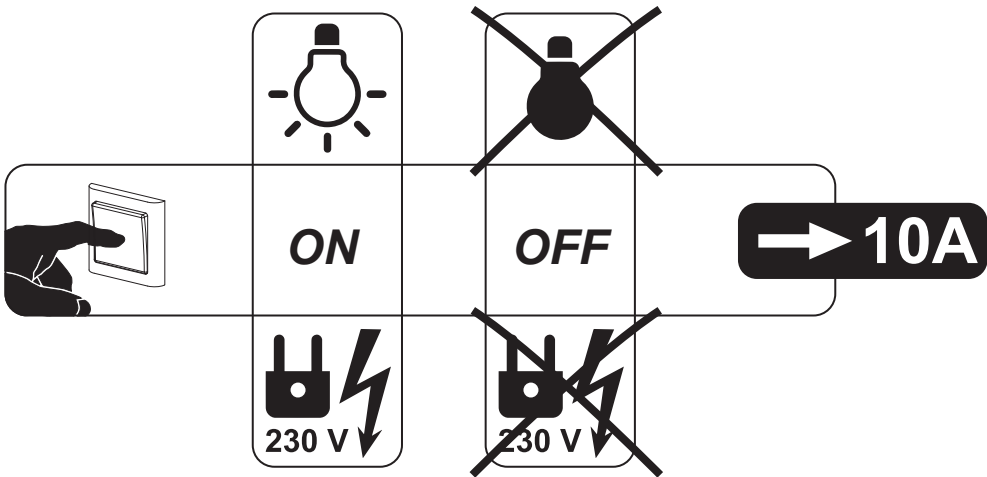
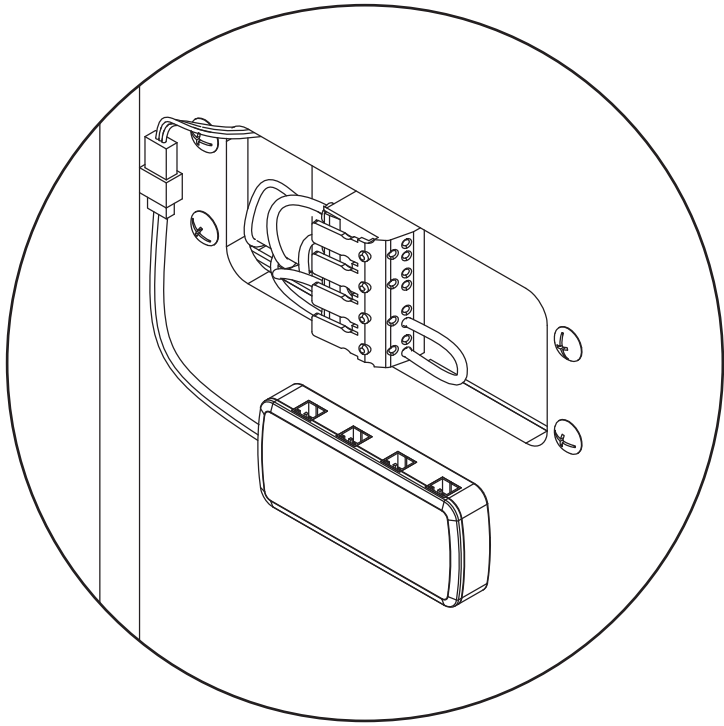
# 9A



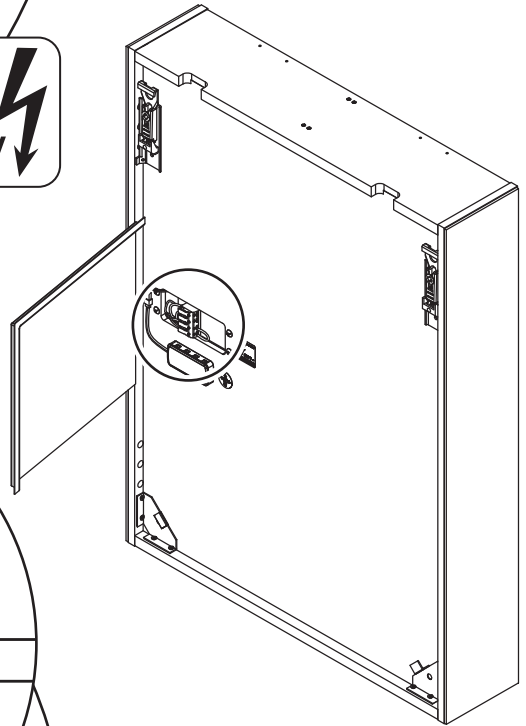
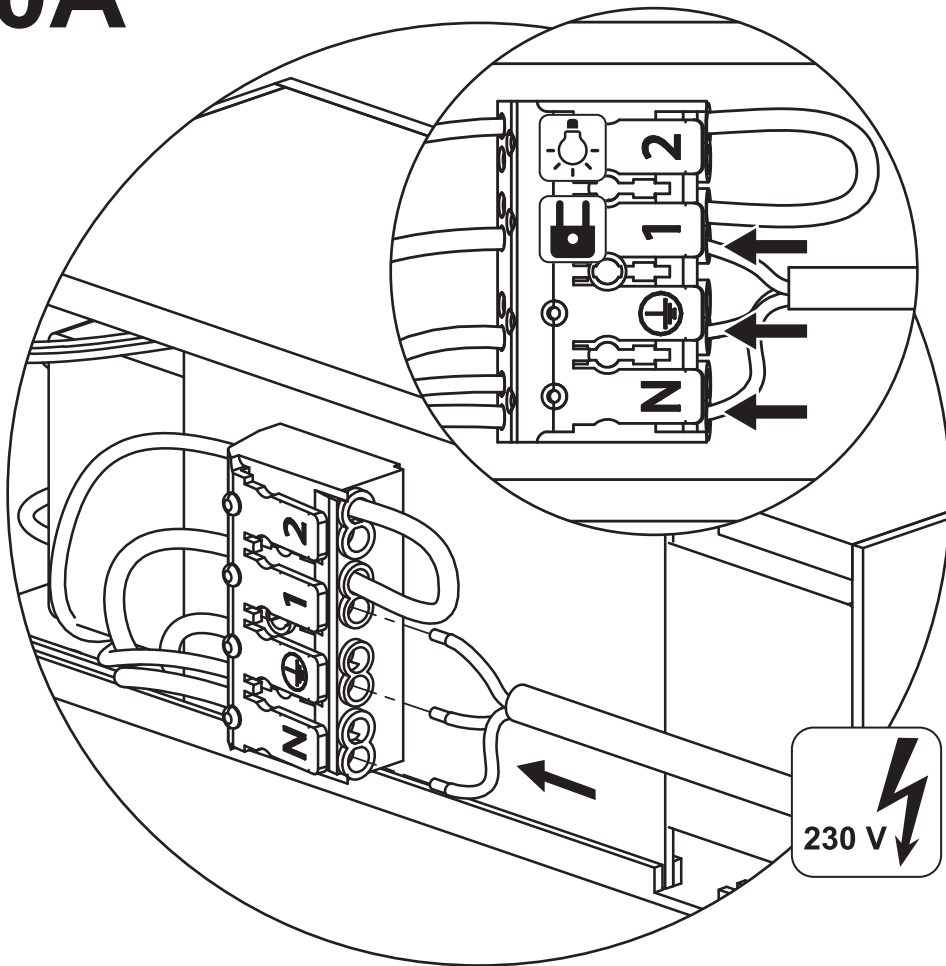
# 9B



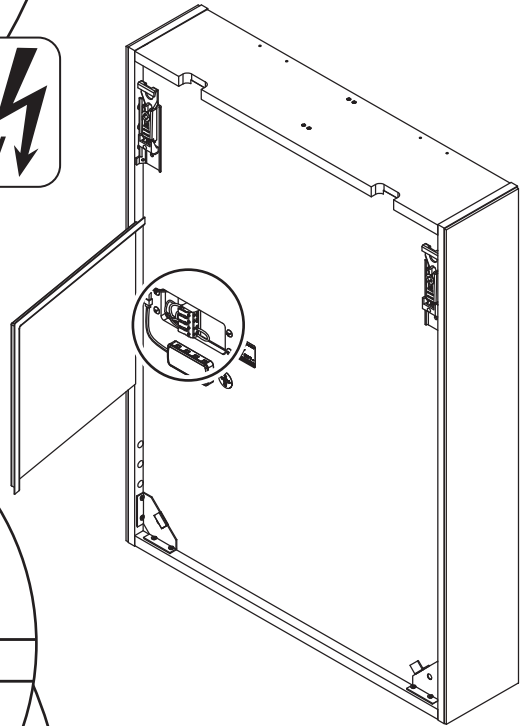
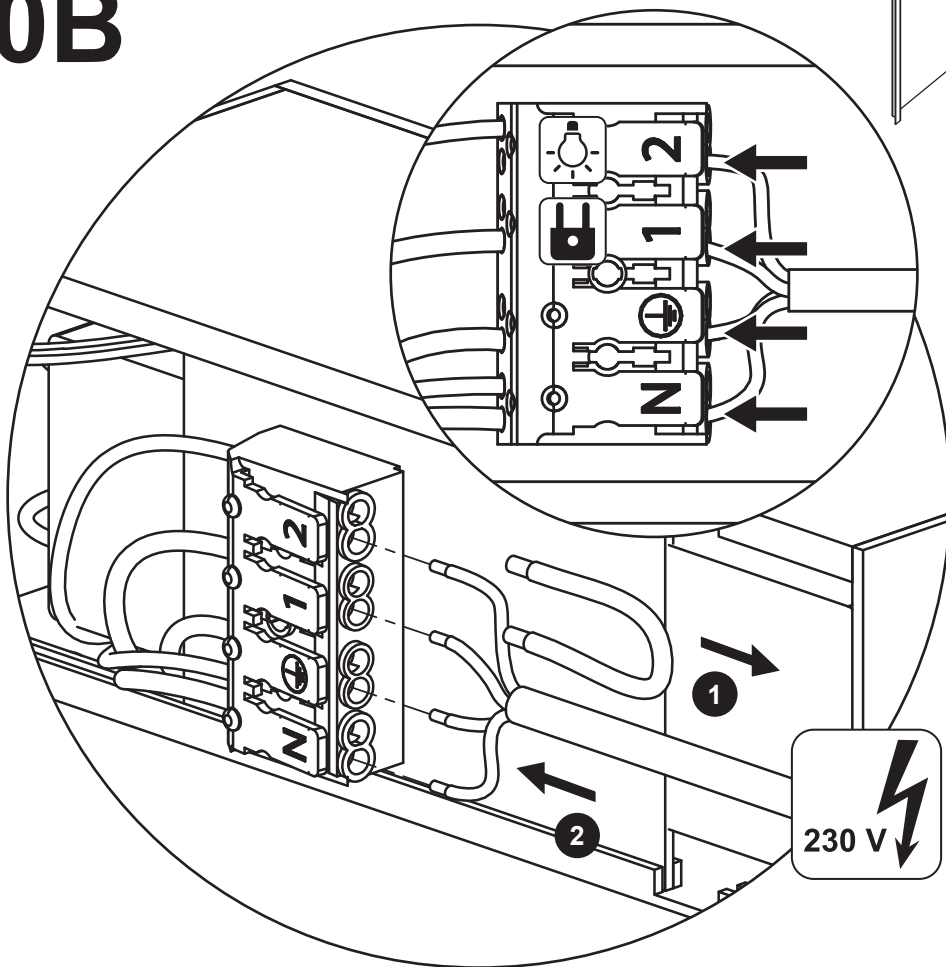
# 10



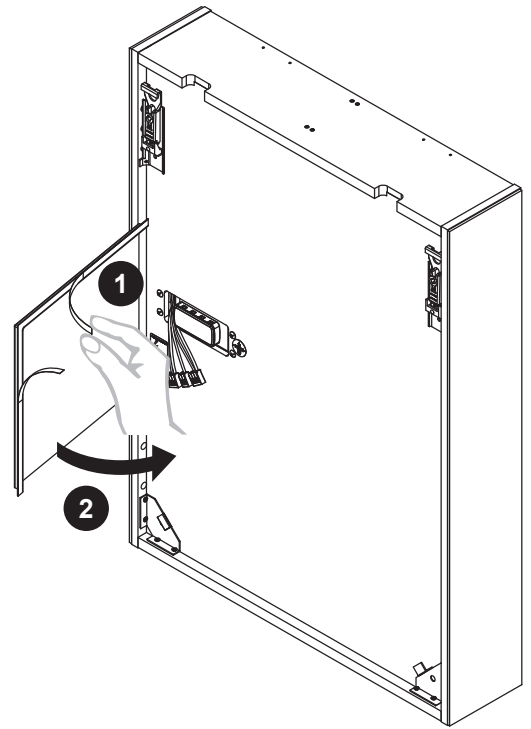
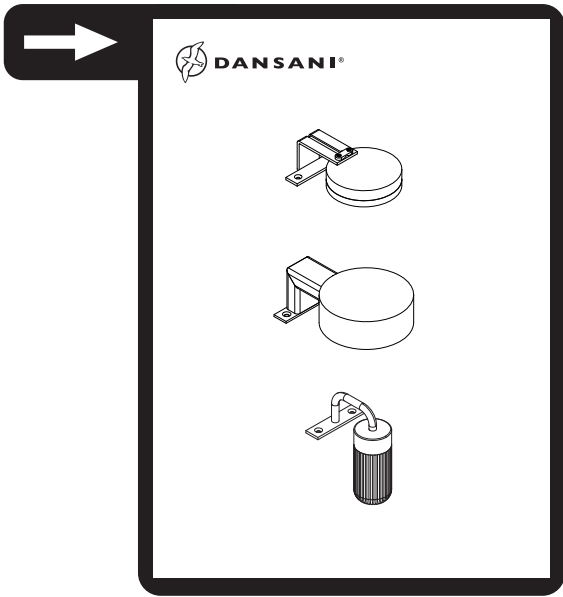
# 10A



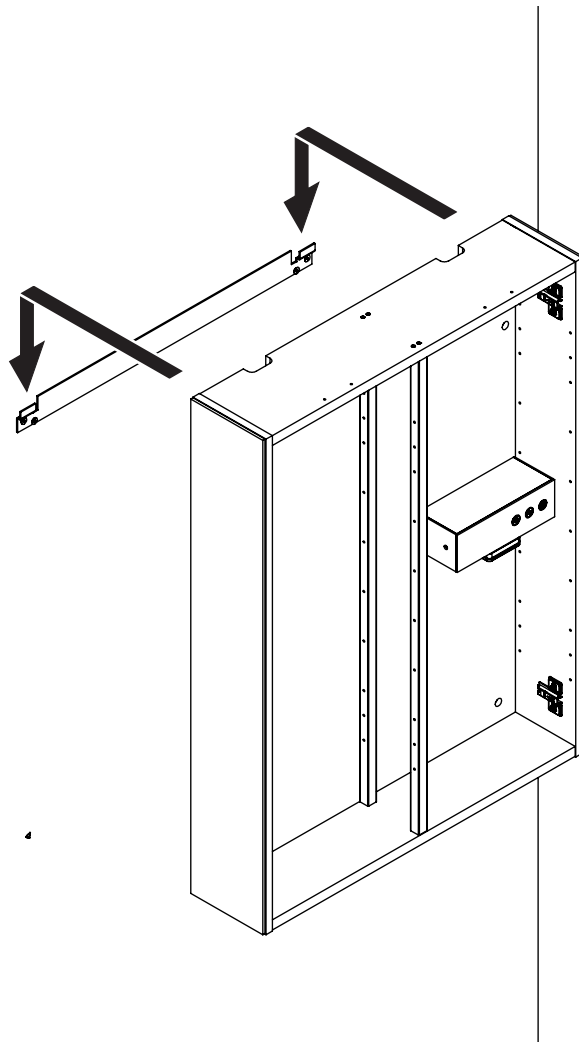
# 10B



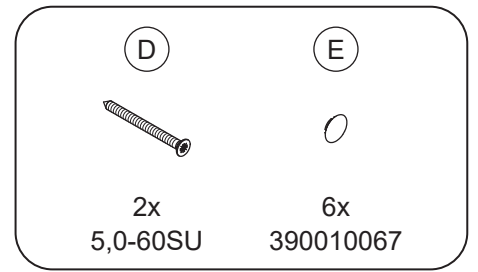
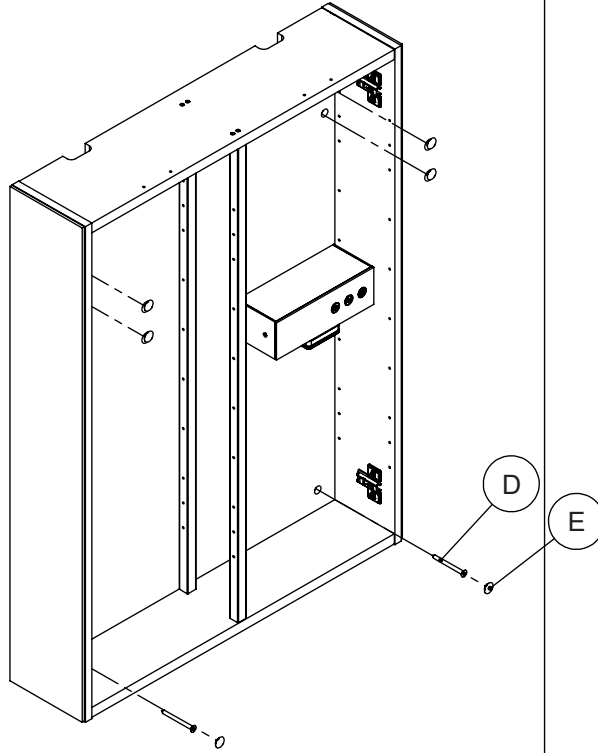
# 11



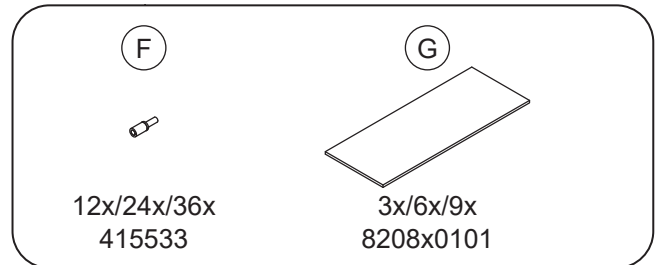
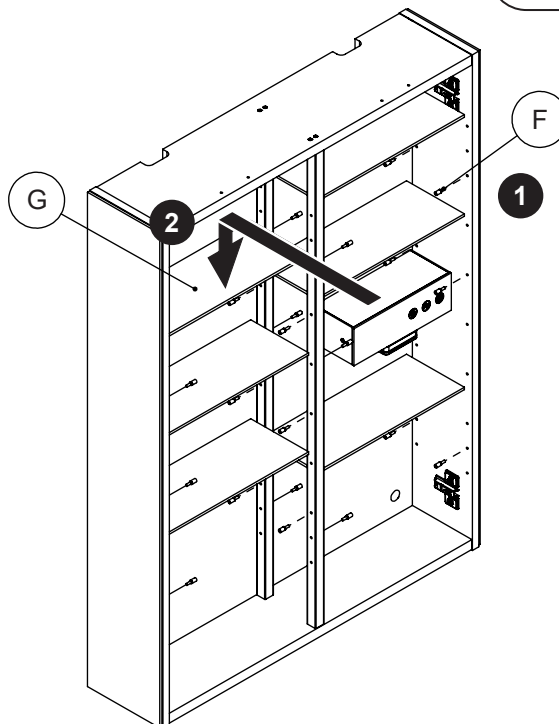
# 12

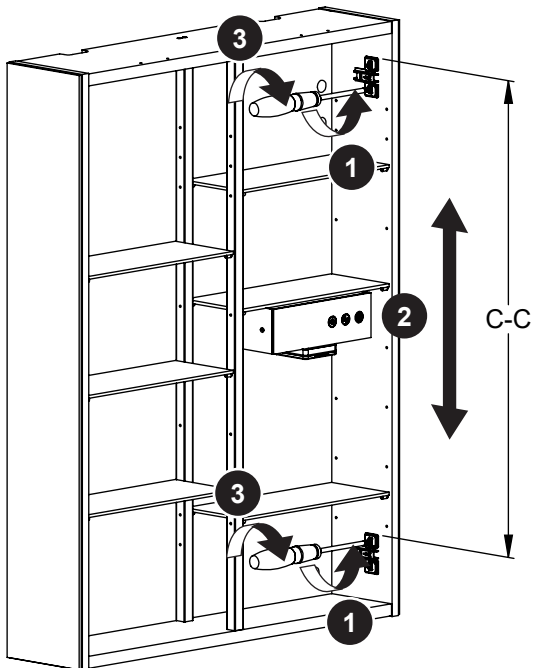
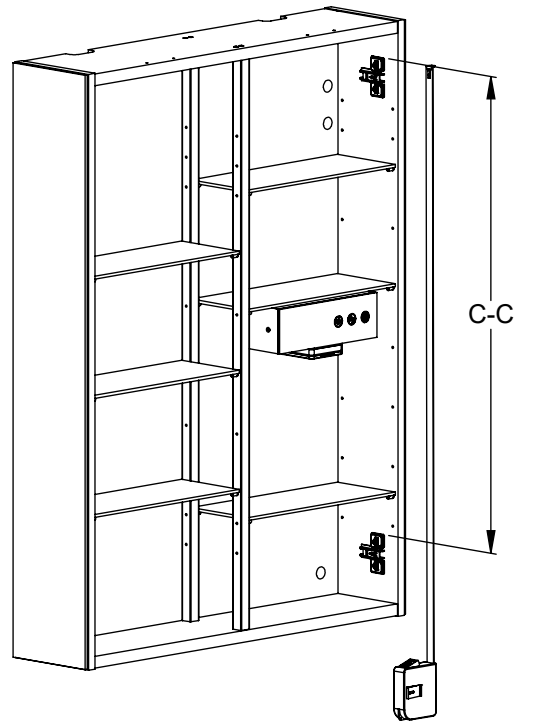
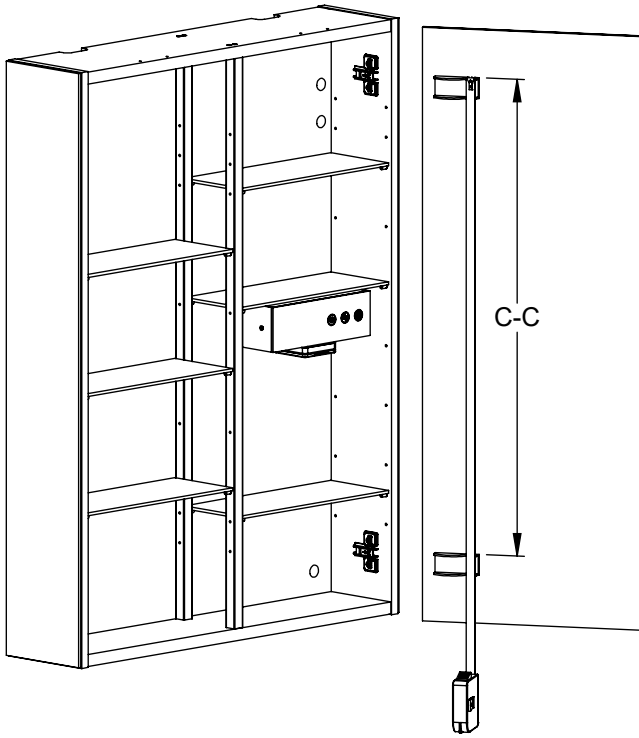


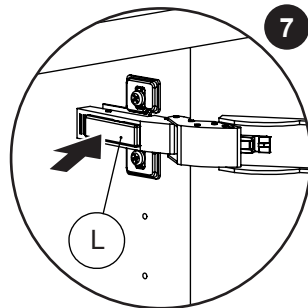
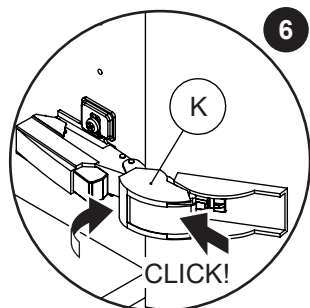
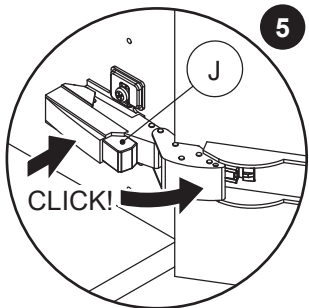
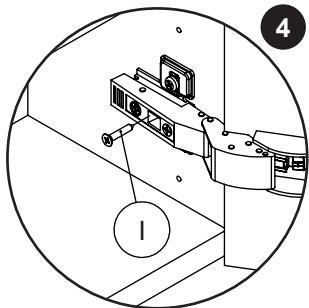
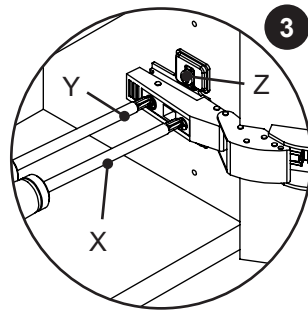
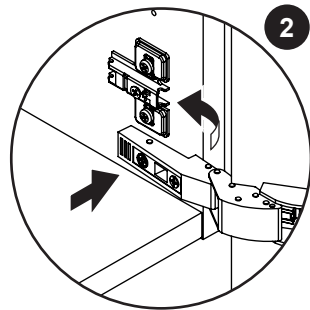
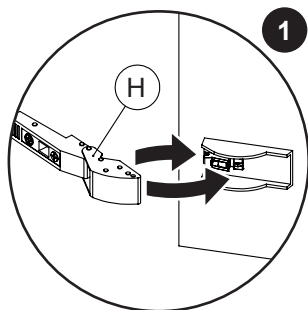
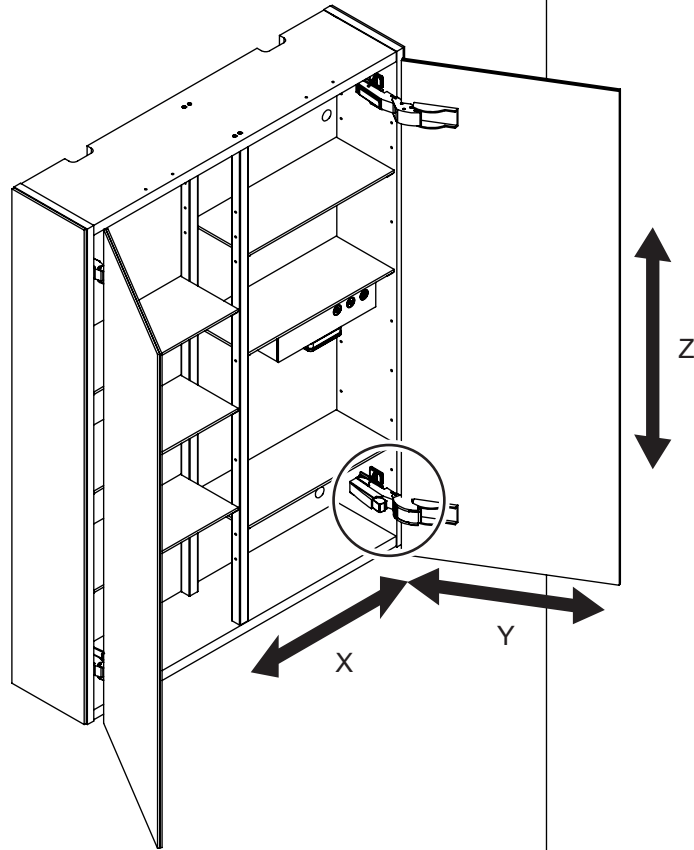
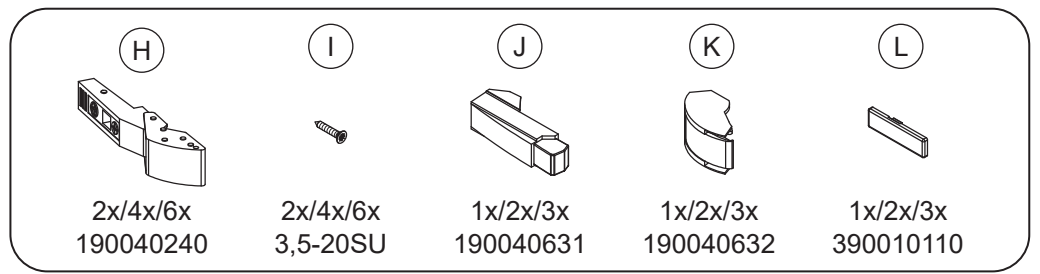
# 13



# 14

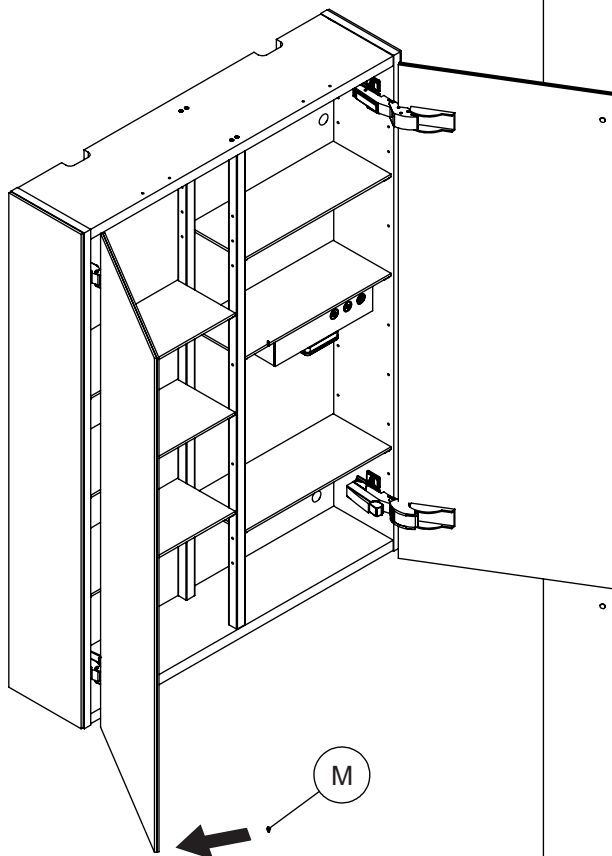






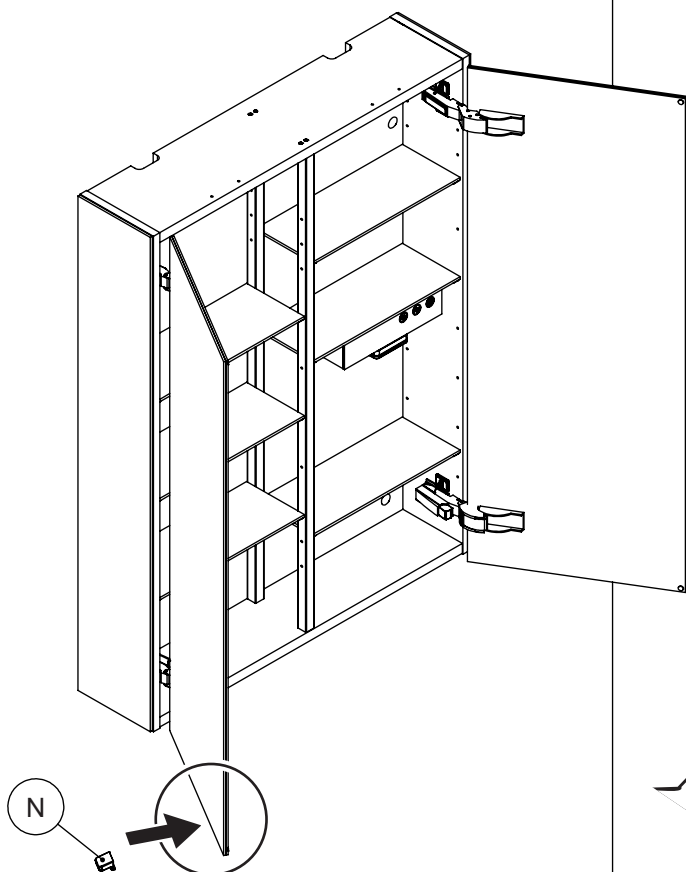



# 17



(M)  
0  
2x/4x/6x  
1950000

# 18



(N)  
  
1x/2x/3x  
840400147

