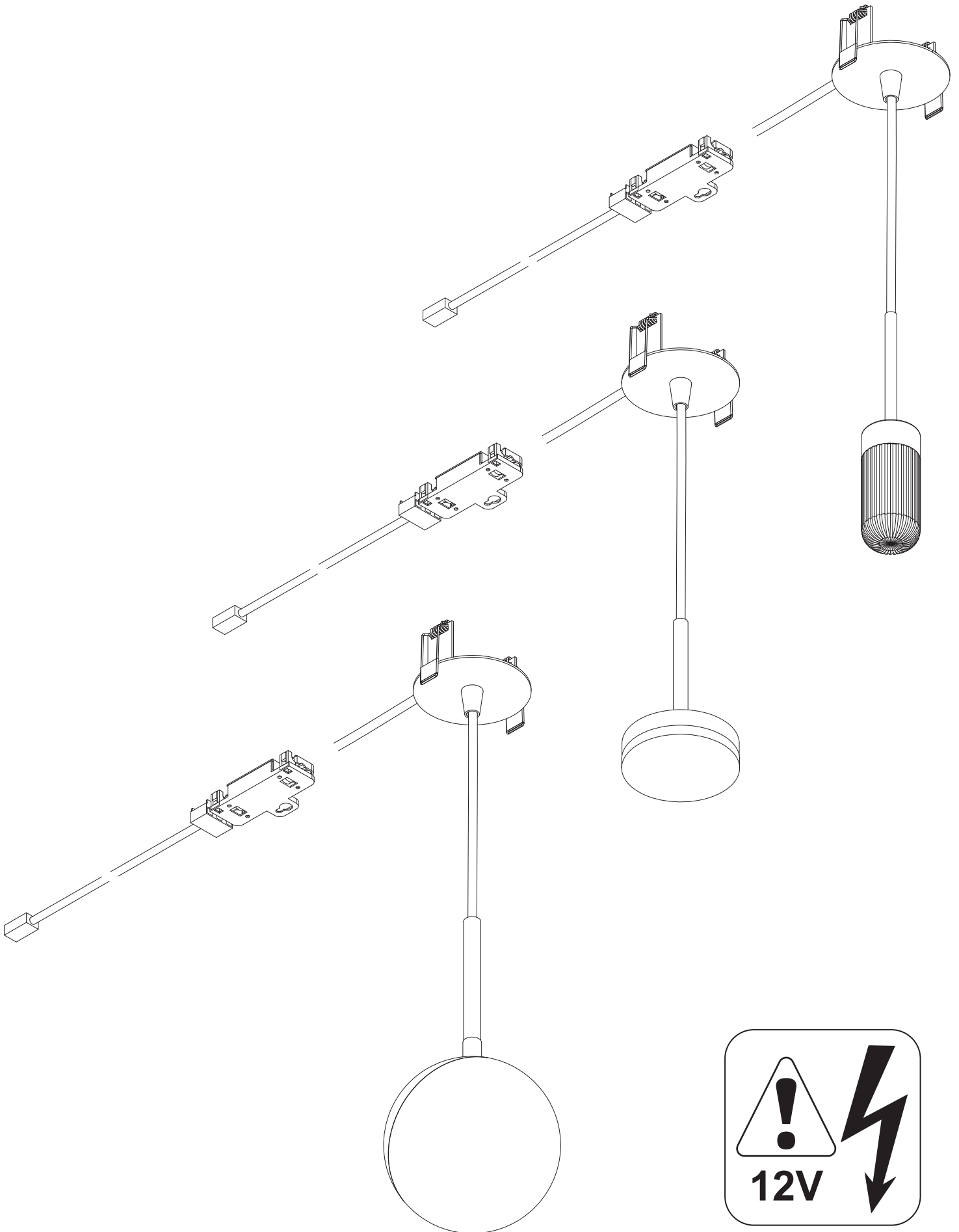


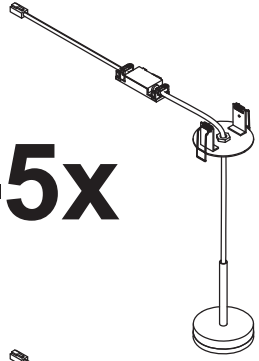


DANSANI
DANISH BATHROOM DESIGN

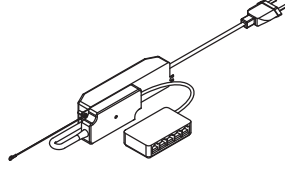




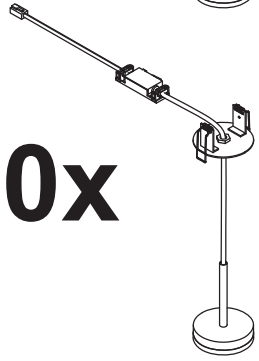
1-5x



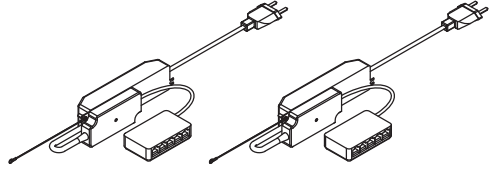
=



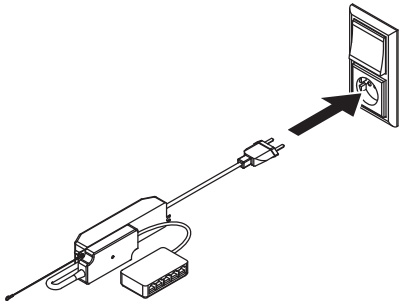
6-10x



=

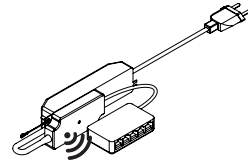


1



1424

DANSANI
DANISH BATHROOM DESIGN

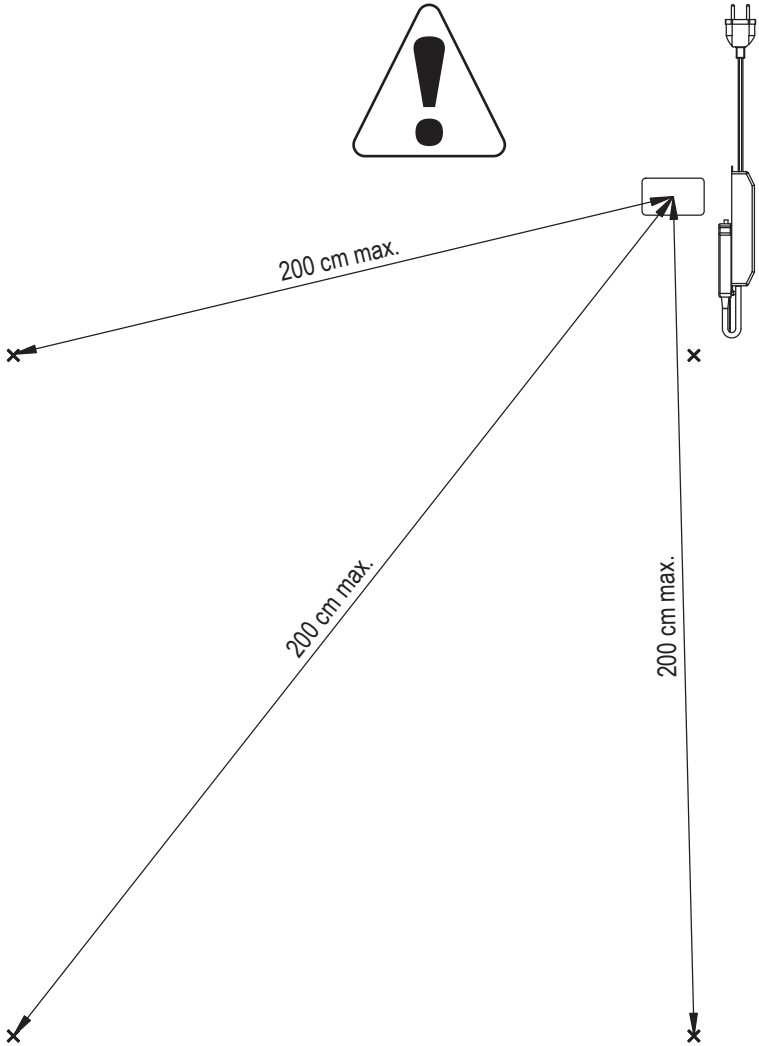
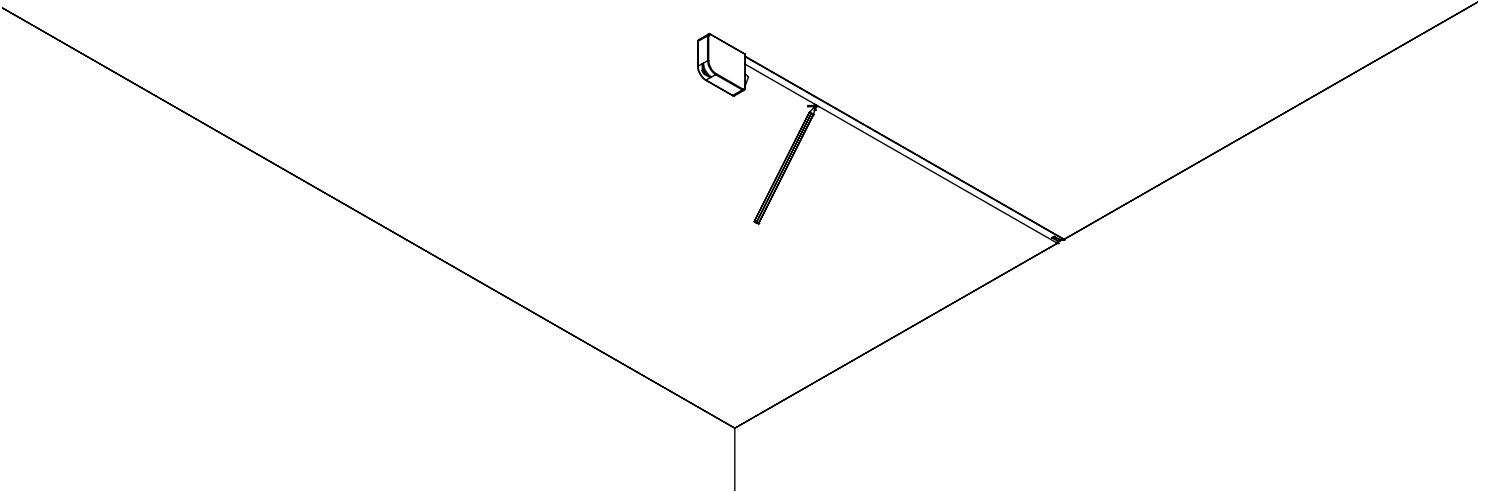


2

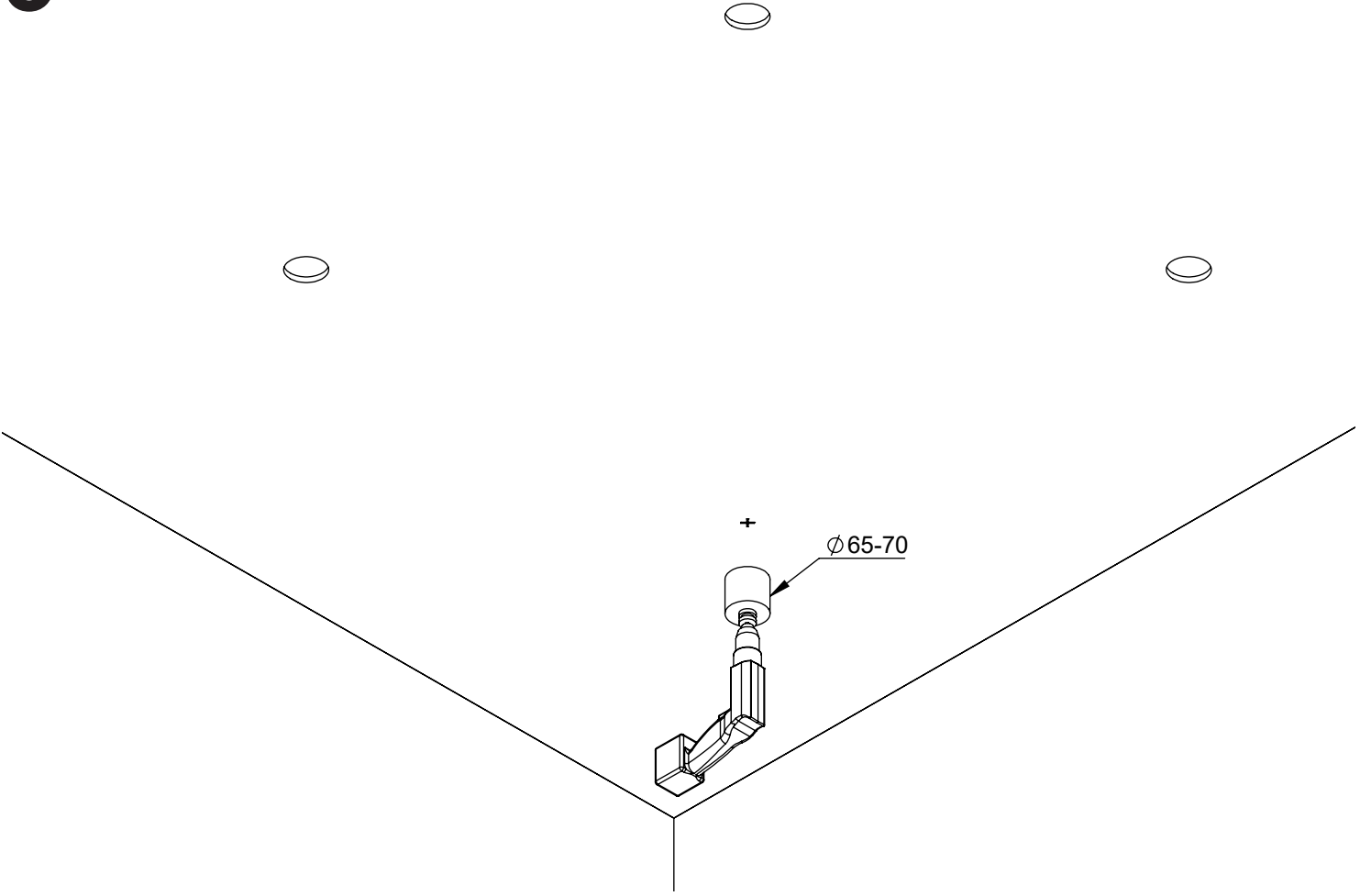
+

+

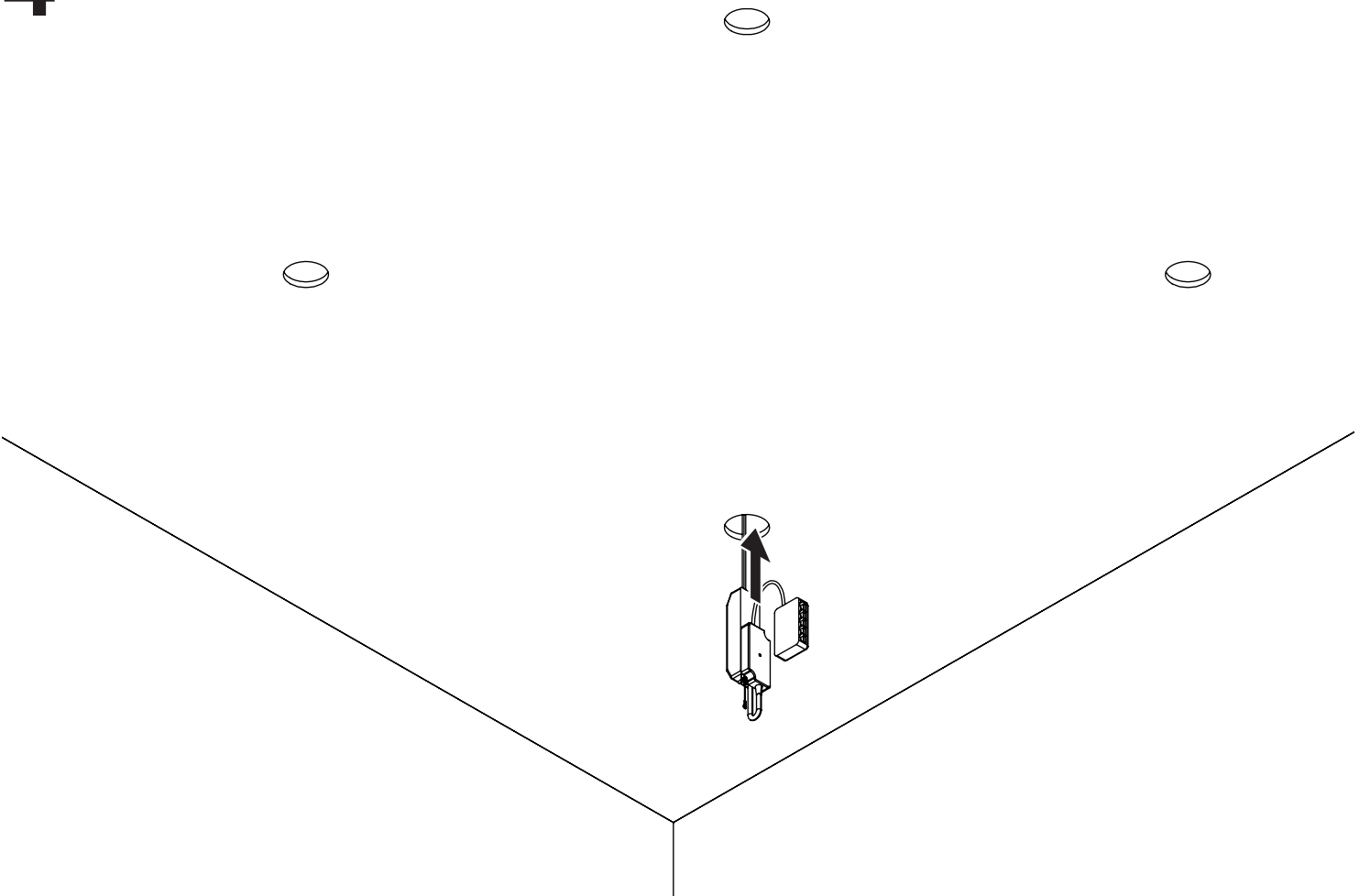
+



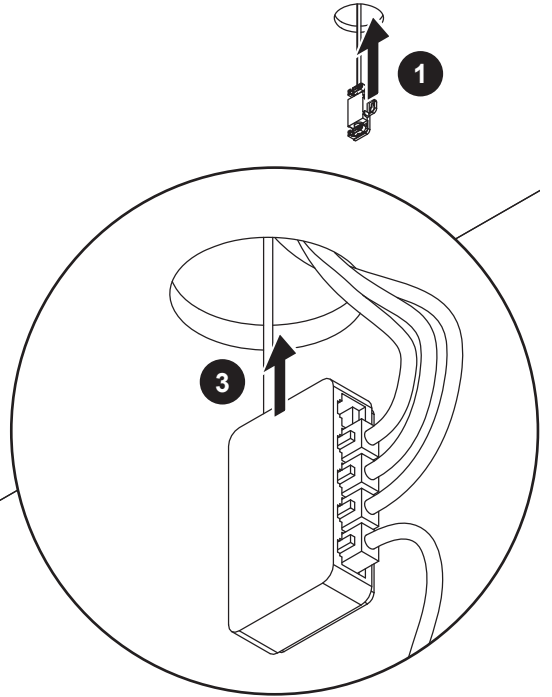
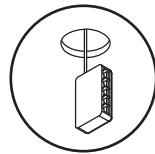
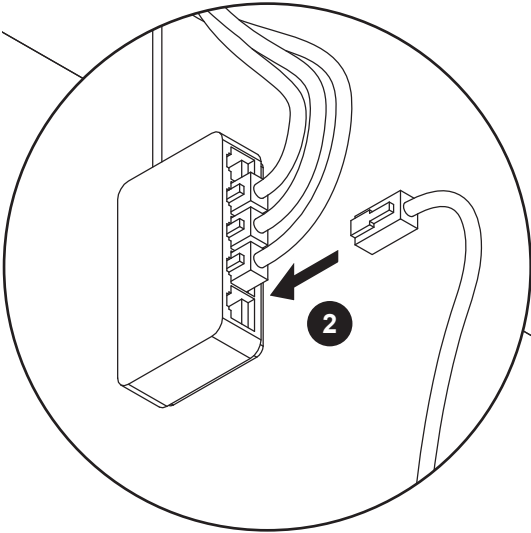
3



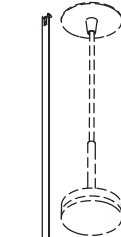
4



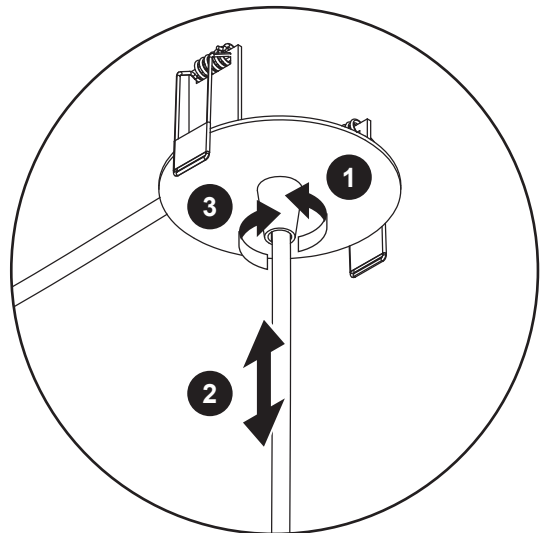
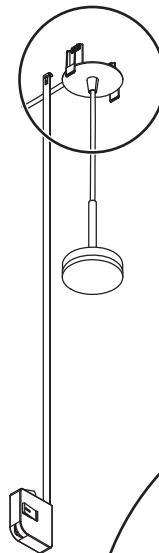
5

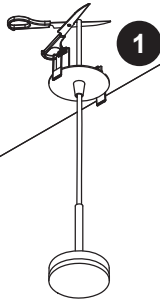
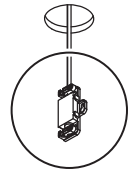


6



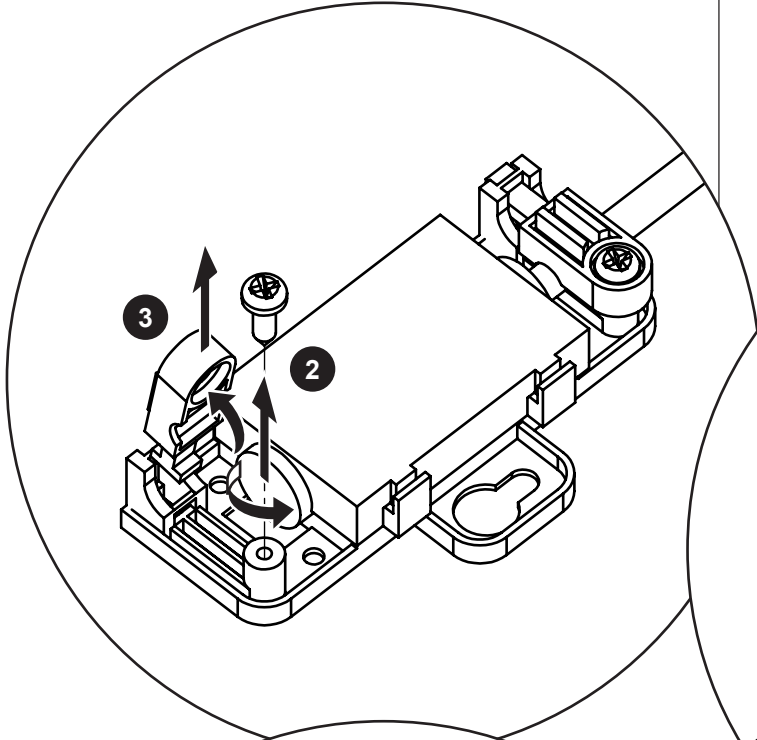
7





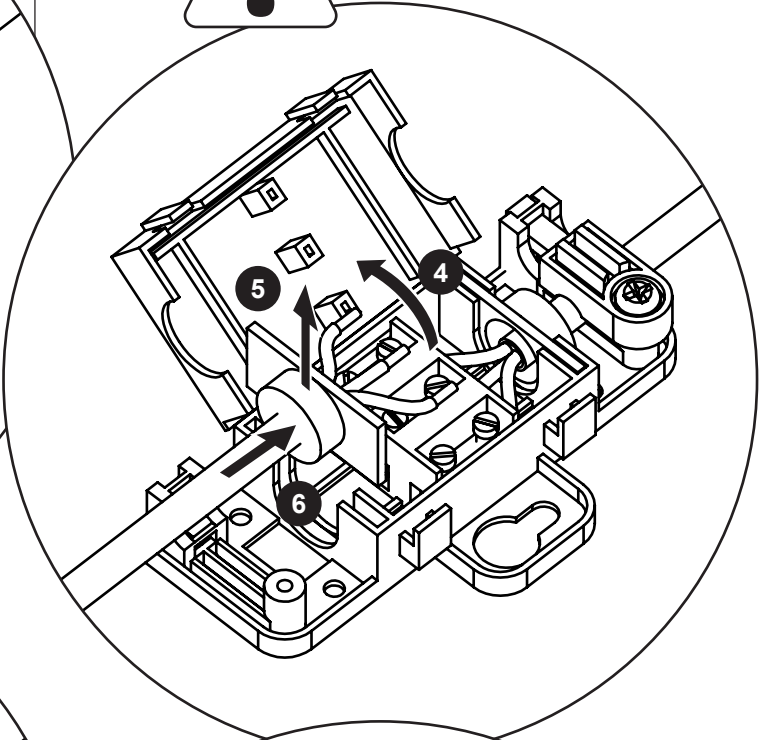
1

Green and white = Red
Orange and white = White
Orange = Black



3

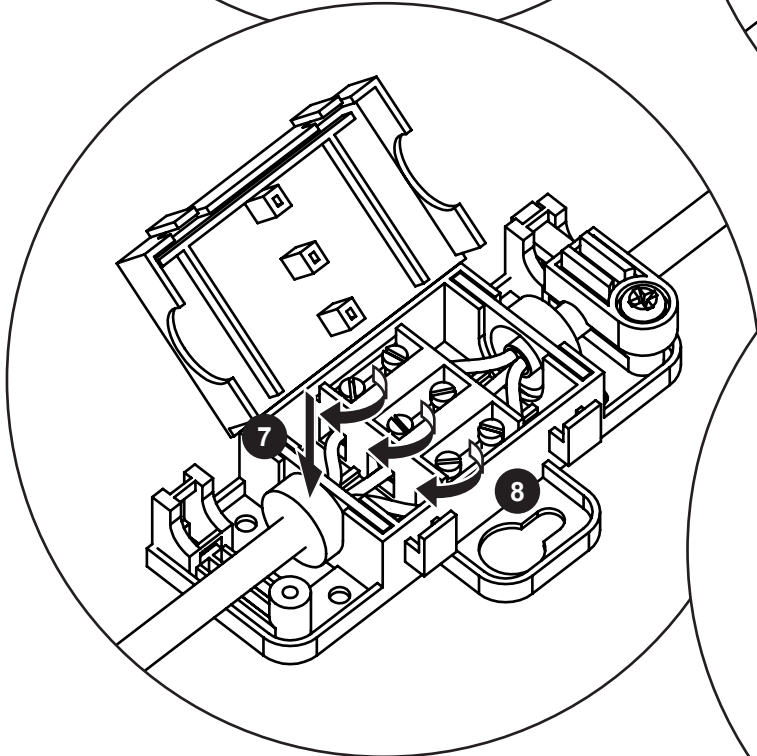
2



5

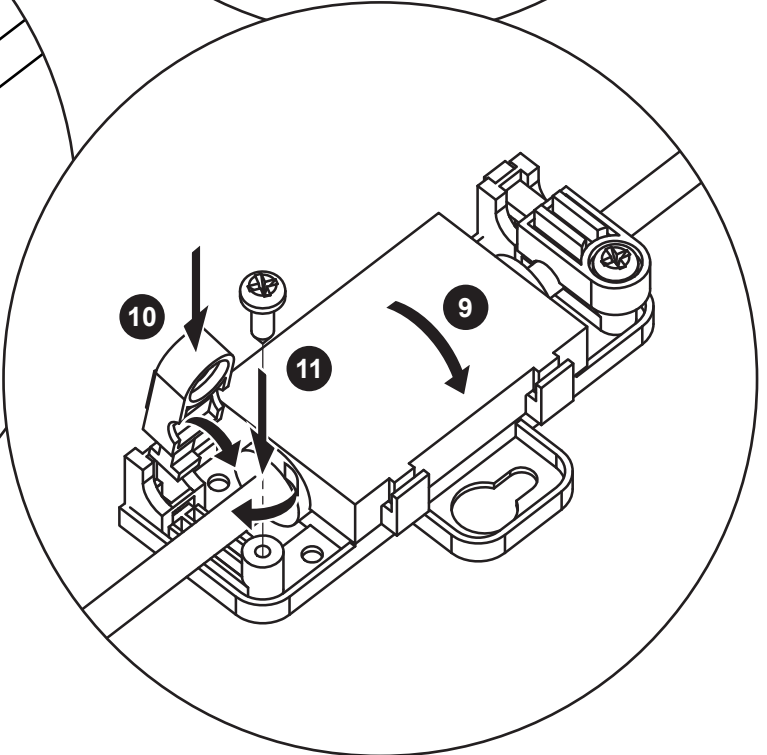
4

6



7

8

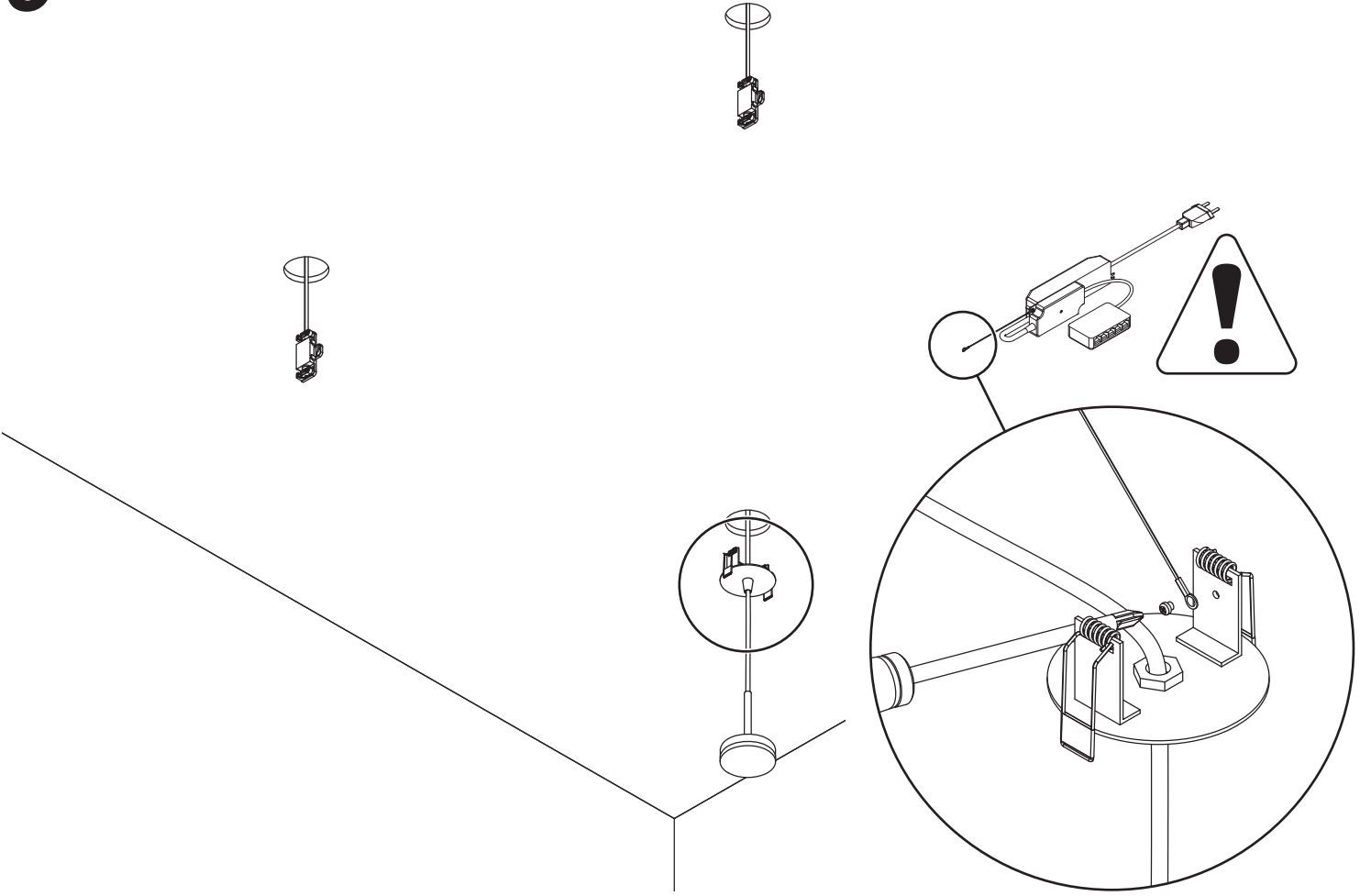


10

11

9

9



10

