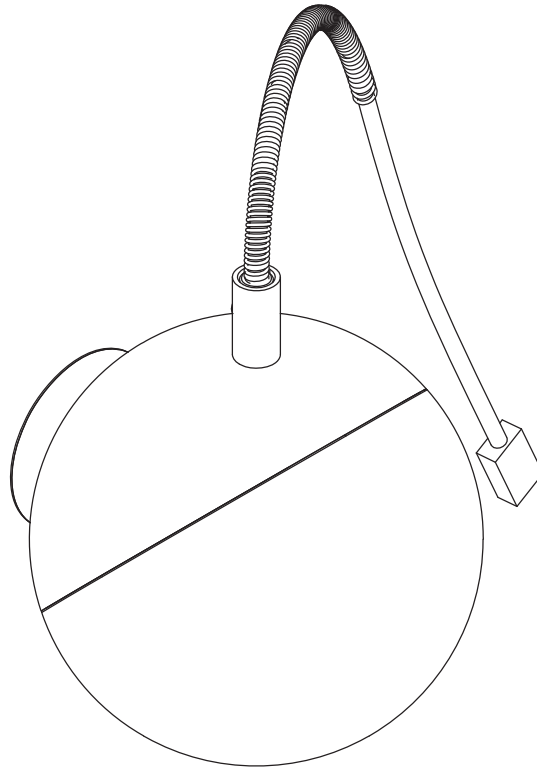
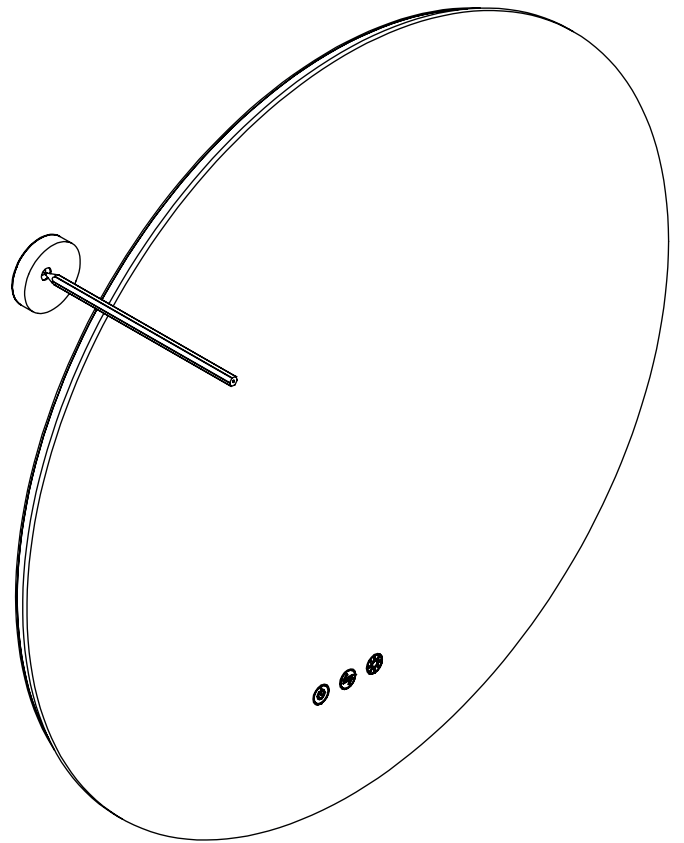
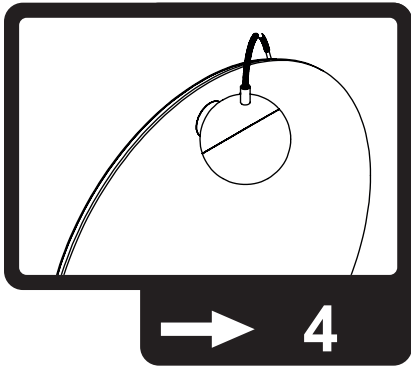
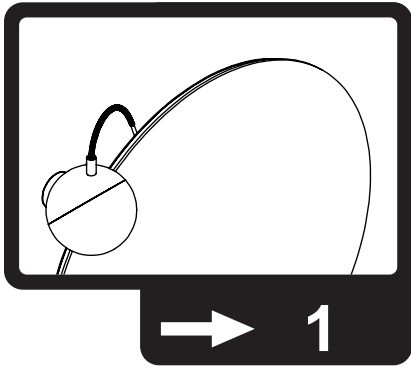




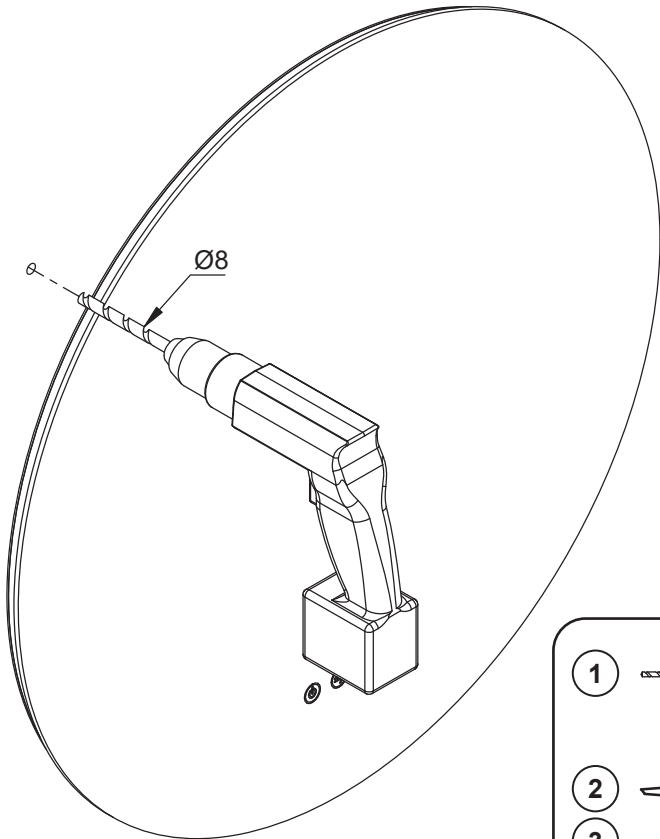
DANSANI
DANISH BATHROOM DESIGN



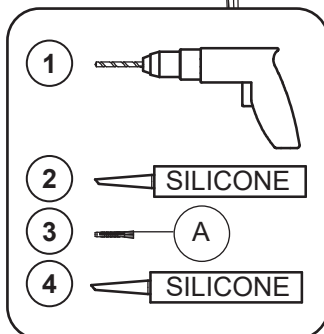
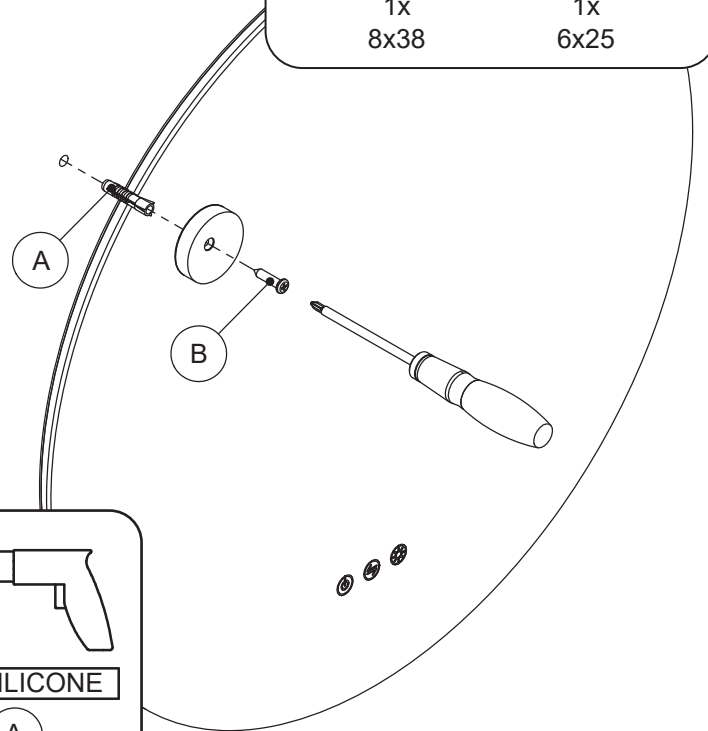
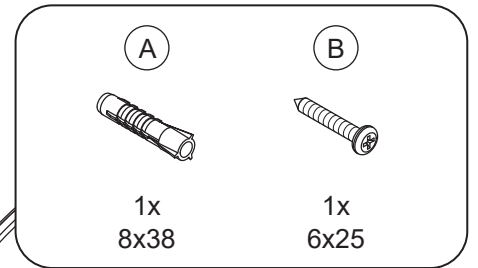
1



2

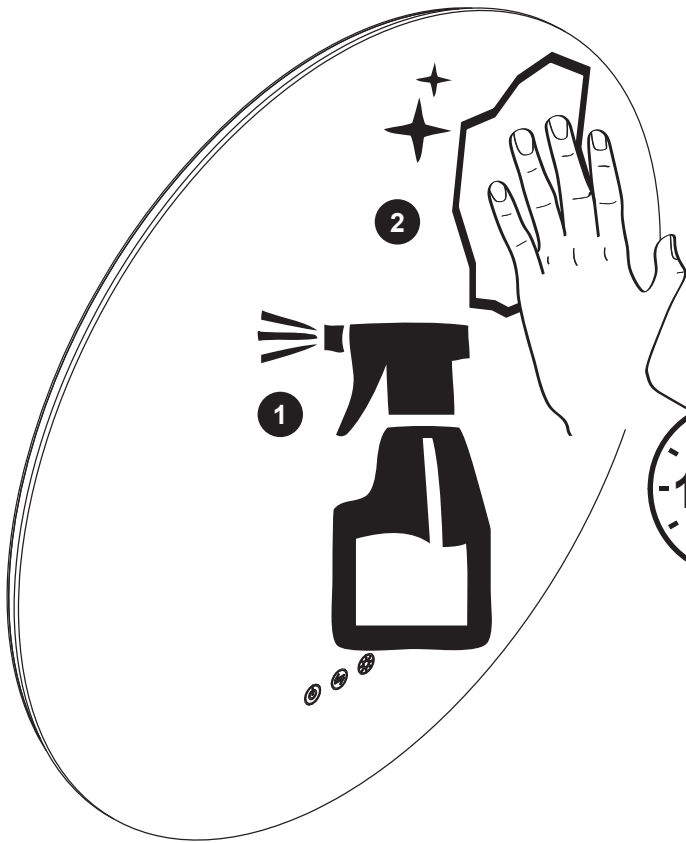


3

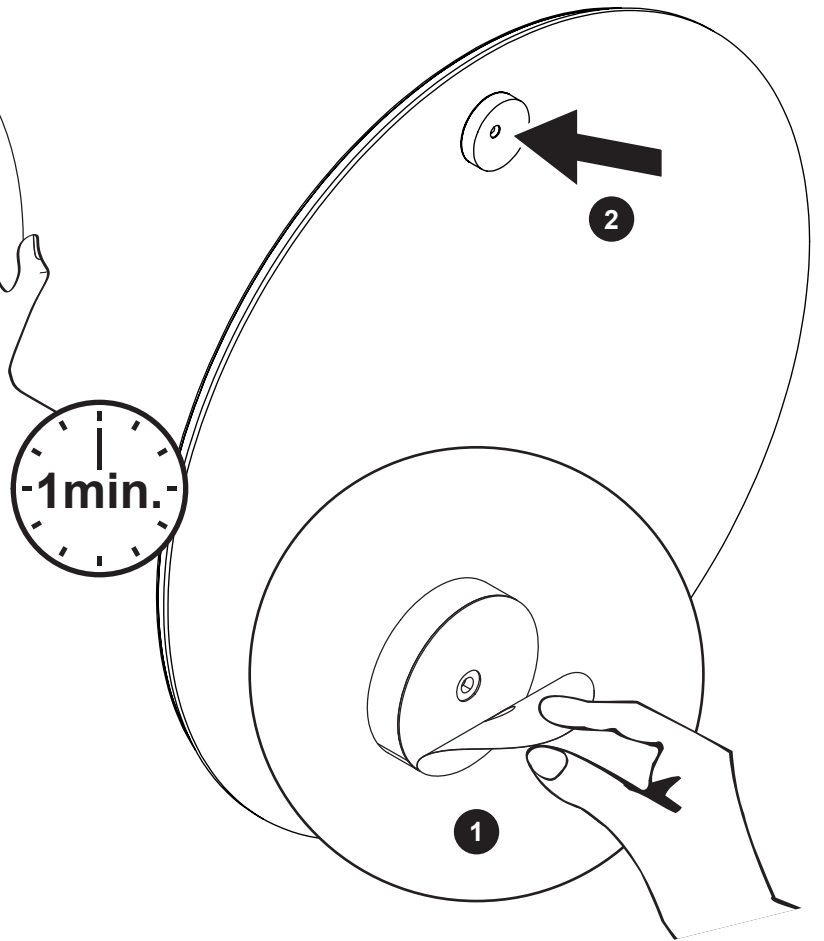


→ 8

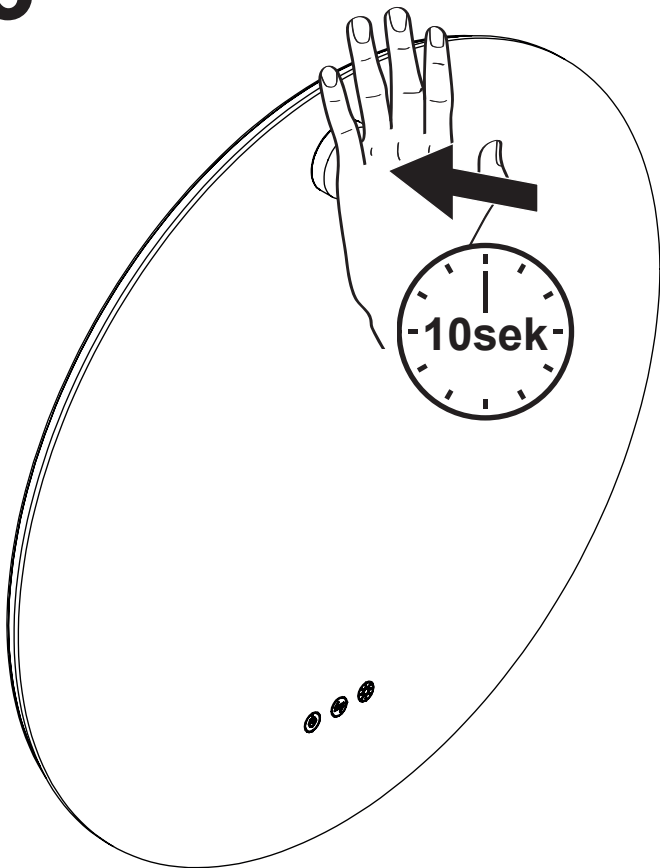
4



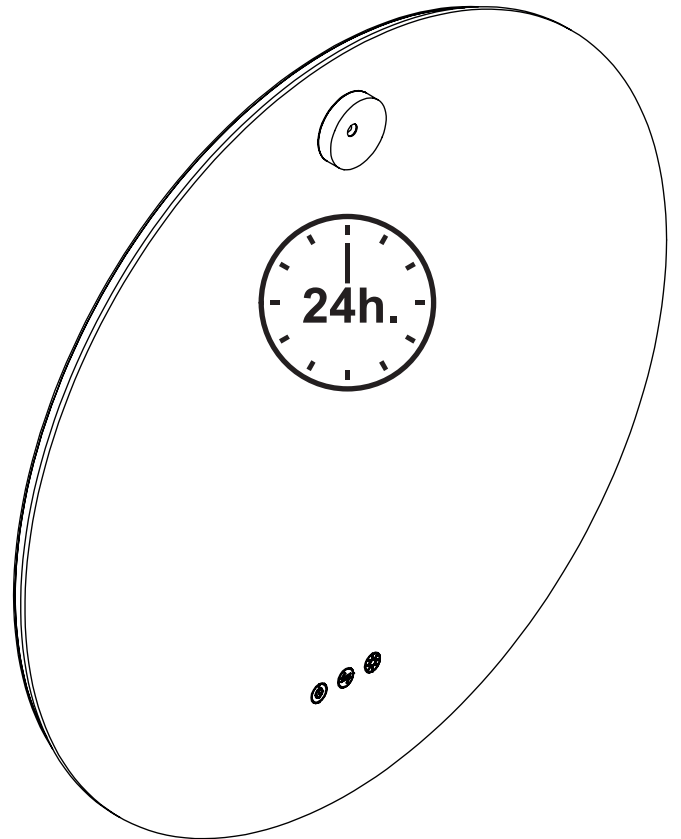
5



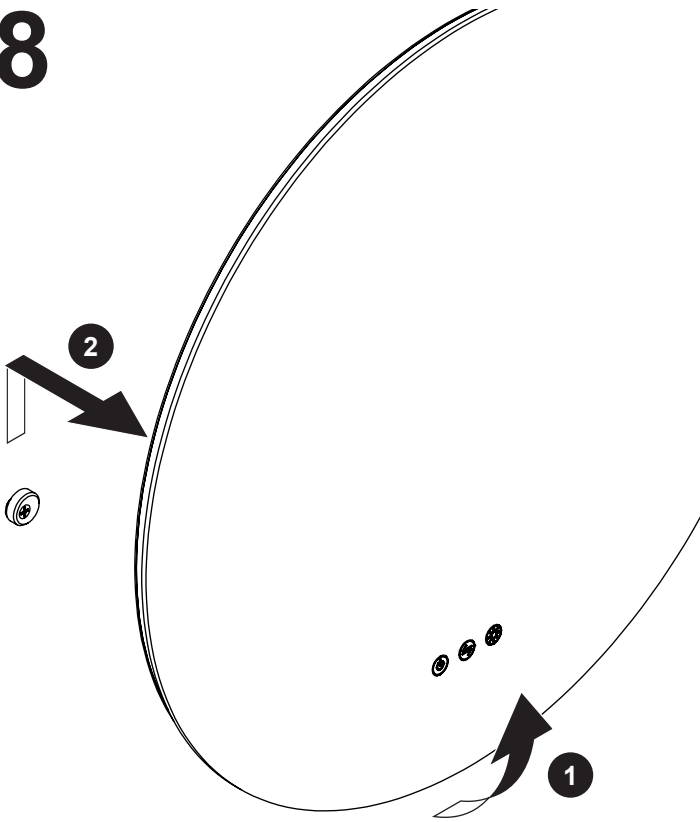
6



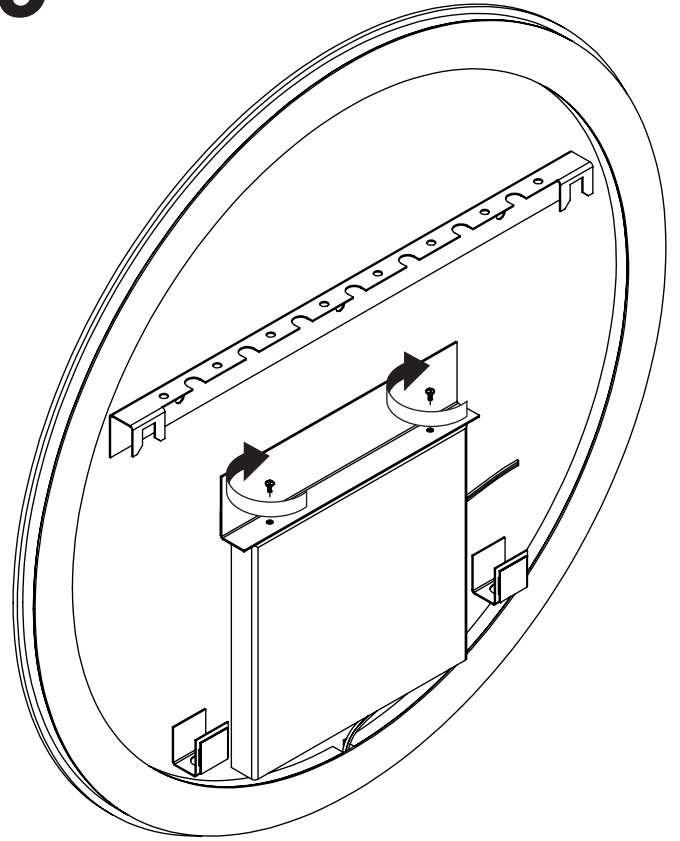
7



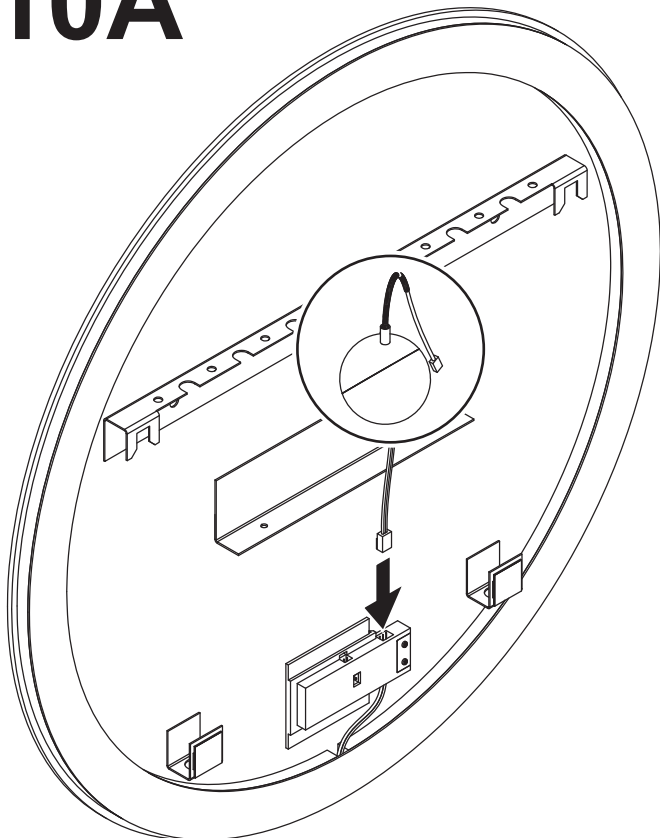
8



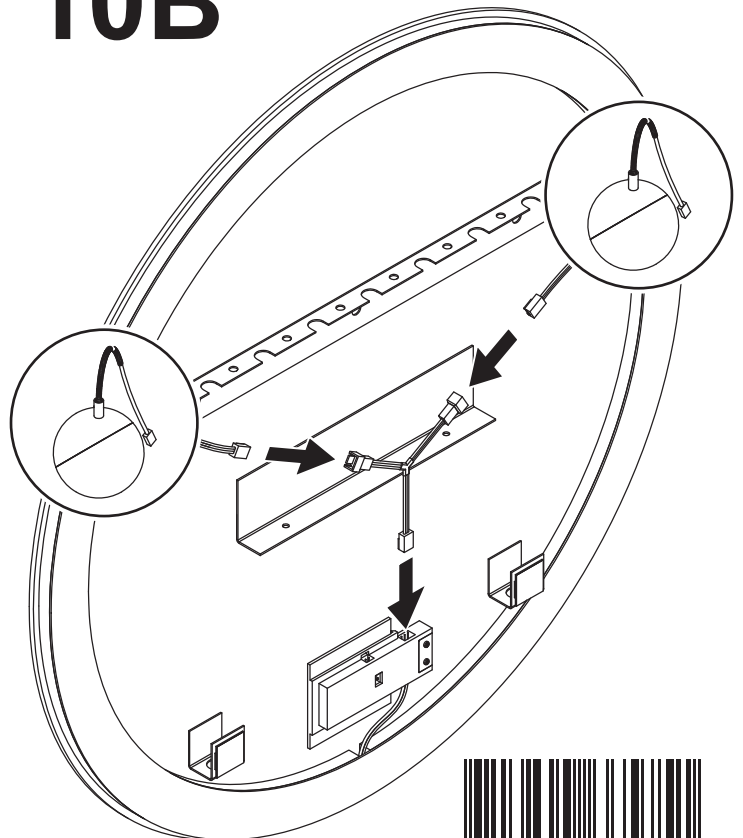
9



10A



10B



5 713804 665751

No. 1455 240216 Rev. 02