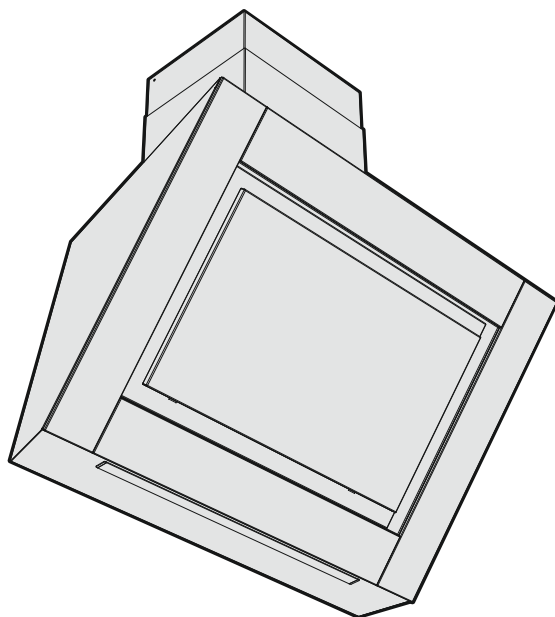


- EN** Instructions
- NO** Bruksanvisning
- DK** Betjeningsvejledning
- SV** Bruksanvisning
- FI** Ohjeet

mod. Unique-14



RØROS[®]
HETTA

EN	page	3
NO	side	11
DK	side	19
SV	sid	27
FI	sivu	35

EN

IMPORTANT SAFETY INFORMATION

Read these instructions carefully. Only then will you be able to operate your appliance safely and correctly. Retain the instruction manual and installation instructions for future use or for subsequent owners.

The appliance can only be used safely if it is correctly installed according to the safety instructions. The installer is responsible for ensuring that the appliance works perfectly at its installation location.

This appliance is intended for domestic use and the household environment only. The appliance is not intended for use outside. Do not leave the appliance unattended during operation. The manufacturer is not liable for damage which is caused by improper use or incorrect operation.

This appliance may be used by children over the age of 8 years old and by persons with reduced physical, sensory or mental capabilities or by persons with a lack of experience or knowledge if they are supervised or are instructed by a person responsible for their safety how to use the appliance safely and have understood the associated hazards.

Children must not play with, on, or around the appliance. Children must not clean the appliance or carry out general maintenance unless they are at least 8 years old and are being supervised.

Keep children below the age of 8 years old at a safe distance from the appliance and power cable.

Check the appliance for damage after unpacking it. Do not connect the appliance if it has been damaged in transport.

Only a licensed professional may connect appliances without plugs. Damage caused by incorrect connection is not covered under warranty.

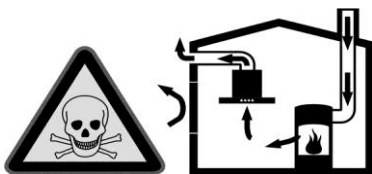
Danger of suffocation!

Packaging material is dangerous to children. Never allow children to play with packaging material.

Danger of death!

Risk of poisoning from flue gases that are drawn back in.

Always ensure adequate fresh air in the room at the same time as room air-dependent heat-producing appliance is being operated.



Room air-dependent heat-producing appliances (e.g. gas, oil, wood or coal-operated heaters, continuous flow heaters or water heaters) obtain combustion air from the room in which they are installed and discharge the exhaust gases into the open air through an exhaust gas system (e.g. a chimney).

In combination with an activated vapour extractor hood, room air is extracted from the kitchen and neighbouring rooms - a partial vacuum is produced if not enough fresh air is supplied. Toxic gases from the chimney or the extraction shaft are sucked back into the living space.

- Adequate incoming air must therefore always be ensured.
- An incoming/exhaust air wall box alone will not ensure compliance with the limit.

Safe operation is possible only when the partial vacuum in the place where the heat-producing appliance is installed

does not exceed 4 Pa (0.04 mbar). This can be achieved when the air needed for combustion is able to enter through openings that cannot be sealed, for example in doors, windows, incoming/exhaust air wall boxes or by other technical means.



In any case, consult your responsible Master Chimney Sweep. He is able to assess the house's entire ventilation setup and will suggest the suitable ventilation measures to you.

Risk of fire!

- Grease deposits in the grease filter may catch fire. Clean the grease filter at least every 2 months. Never operate the appliance without the grease filter. Risk of fire!
- Grease deposits in the grease filter may catch fire. Never work with naked flames close to the appliance (e.g. flambéing). Do not install the appliance near a heat-producing appliance for solid fuel (e.g. wood or coal) unless a closed, non-removable cover is available. There must be no flying sparks.
- Hot oil and fat can ignite very quickly. Never leave hot fat or oil unattended. Never use water to put out burning oil or fat. Switch off the hotplate. Extinguish flames carefully using a lid, fire blanket or something similar.

Risk of burns!

The accessible parts become very hot when in operation. Never touch hot parts. Keep children at a safe distance.

Risk of injury!

Components inside the appliance may have sharp edges. Wear protective gloves. Risk of injury!

Risk of electric shock!

- A defective appliance may cause electric shock. Never switch on a defective appliance. Unplug the appliance from the mains or switch off the circuit breaker in the fuse box. Contact the after-sales service.
- Incorrect repairs are dangerous. Repairs may only be carried out and damaged power cables replaced by one of our trained after-sales technicians. If the appliance is defective, unplug the appliance from the mains or switch off the circuit breaker in the fuse box. Contact the after-sales service.
- Do not use any high-pressure cleaners or steam cleaners, which can result in an electric shock.

ENVIRONMENTAL PROTECTION

Your new appliance is particularly energy-efficient. Here you can find tips on how to save even more energy when using the appliance.

SAVING ENERGY

- If cooking fumes have already spread in the kitchen, the extractor hood must be operated for longer.
- Switch off the extractor hood if you no longer require it.
- Switch off the lighting if you no longer require it.
- Clean and, if required, replace the filter at regular intervals in order to increase the effectiveness of the ventilation system and to prevent the risk of fire.

MOUNTING INSTRUCTIONS

Mount the cooker hood as shown in the pictures.

Connect to the socket shown in the image 6 to measure Pm pressure.

Through the Pm measurement and the valve position it is possible to establish the quantity of air extracted: in the graphic F1-F6 (forced ventilation) and in the graphic G1-G6 (base ventilation).

The cooker hood is heavy and in order to move it 2 persons are needed.

During the installation of the cooker hood, always wear protective handgloves to prevent injuries.

The pipe must be heat, flame and corrosionproof. The manufacturer strongly advises against the use of reducers or pipes with different diameter to the hood outlet pipe, and pipes made of flexible aluminium because performance is diminished and noise level increased.

The end part of the pipe, on the outside of the hole on the wall, must be of such a shape to avoid rain, gusts of wind or other foreign bodies getting into the pipe. Should there be any doubt, contact anyone specialising in the installation of gas or ventilation system and not to reduce air flow.

AIRFLOW ADJUSTMENT

Forced ventilation:

- Rotate the screw counterclockwise 360° (image 7 point 1).
- Move the plate (image 7 point 2) in the desired position corresponding to the diagram, shown in the graphic of image F.
- Rotate the screw clockwise until it is fixed (image 7 point 3).
- Measure the Pm pressure to check that the value of the desired forced ventilation is obtained with reference to diagram of image F.

Basic ventilation (if recommended):

- Remove the screw (image 8 point 1).
- Remove the existing valve plate (image 8 point 2).
- Insert the supplied plate with the curved side (image 9 point 3).
- Move the plate with the curved side (image 10 point 4) in the desired position corresponding to the desired value shown in the graphic of the image G.
- Insert the screw rotating it clockwise until it is fixed. (image 10 point 5)
- Measure the Pm pressure to check that the wished basic ventilation value is obtained with reference to diagram of image G.

BEFORE ELECTRICAL INSTALLATION

Before connection you must:

- check that the electrical data indicated are in conformity with the main voltage and frequency values of the building where the hood is to be installed;
- check that the building is fitted with electric safety systems to protect against short circuits and electric shock systems, according to the laws in force;
- install an electric socket (or connection point) with a bipolar switch, which has contacts with an opening of at least 3 mms;
- if it is wished to install the hood with a plug, it is necessary that you have access to the plug;
- always turn off the main voltage supply by means of the bipolar switch before connecting and switch on again only when connections have been completed, tested and are safe.

ELECTRICAL CONNECTION

WARNING

The electrical connection can only be carried out by qualified professional personnel, using standard material and state of the art installation methods. The manufacturer declines any responsibility for installations carried out by unskilled persons and for installations which are not

in conformity with the standard norms concerning electrical safety (both concerning methods and materials).

ELECTRICAL TECHNICAL DATA

The electrical technical data are visible inside the hood after the removal of the grease filters.

CONNECTION TO THE POWER SUPPLY

The flexible feed cable supplied is already connected internally and emerges from the hood near the air outlet duct.



It is possible to effect two types of electric installation:

- fixed installation;
- installation by means of plug on a socket;
- if an external device is connected, it may not exceed 300VA at 230V~.

PRECAUTIONS TO BE TAKEN IF REPAIRS ARE TO BE CARRIED OUT

Repairs, including the replacement of the feed cable if necessary, are to be carried out only by qualified personnel, using standard methods, instruments and materials. Any repairs carried out by others could prove to be dangerous and could be a fire risk.

FUNCTION AND USE

 VL 1 2 3	<p>Stand-by We can set 2 different types of stand by modes by long pressing of the VL push-button. If the button of the VL push-button is pressed for longer time than 3 seconds in stand-by, it modifies the last set stand-by mode (from Stand-by A to stand-by B and the led flashes twice, or in alternative from Stand-by B to Stand-by A and the led flashes once).</p> <p>Stand-by A (set standard on hood): if no push-button to control the fan is active, the valve is closed and the fan is working at speed 1.</p> <p>Stand-by B: if no push-button to control the fan is active, the valve is closed and the fan is off.</p> <p>After 60 minutes from activation of any control push-button of the fan, the hood automatically changes to the current stand-by mode set.</p>
	<p> Light on/off.</p>
	<p>VL With short pressing of the button it sets fan with speed 3 with valve closed; if function is already active, current stand-by will be activated.</p> <p>If the button is pressed for longer time than 3 seconds in stand-by, it modifies the last set stand-by mode (from Stand-By A to Stand-by B and the led flashes twice, or in alternative from Stand-by B to stand-by A and the led flashes once).</p>
	<p>1 If the button is pressed without its function activated, the fan</p>

	<p>activates at speed 1 with open valve.</p> <p>If the function of the button is already activated, it activates the stand-by mode.</p>
2	<p>If the button is pressed without its function activated, the fan activates at speed 2 with open valve.</p> <p>If the function of the button is already activated, it activates the stand-by mode.</p>
3	<p>If the button is pressed without its function activated, the fan activates at speed 3 with open valve.</p> <p>If the function of the button is already activated, it activates the stand-by mode.</p>

When the valve opens/closes or moves, the motor is momentarily deactivated.

When the function associated to the push-button is active, the concerned led is on.

MAINTENANCE



GREASE FILTERS

The metallic grease filters are positioned on the bottom of the hood and are used to contain any grease which is normally emitted in cooking fumes, thereby impeding the deterioration of the motor. They can be washed either by hand or in the dish washer.

For washing by hand, use hot water and soap; this can be done by hand brushing vigorously several times and then rinsing under the tap.

After washing, the grease filters should be dried and re-fitted correctly.


It is possible that after washing the filter will have slight change in the colour.

  It is advised to wash the grease filters after circa 50-100 hours of use of the cooking top.

If the grease filters are very dirty, the motor can only take in a small quantity of air, and performance is reduced;

The grease which accumulates on dirty filters is easily inflammable and **can cause fires**, if they are not removed by periodic washes.


The manufacturer declines any responsibility for fires caused by poor maintenance of the grease filters.

 Never activate suction without fitted grease filters.

The Company declines all liability if the above warnings are dropped.

CLEANING

To preserve the hood in good condition, clean this periodically following the advice given as follows.

 Make sure that power has been completely turned off.

The detergent solution recommended is a combination of WATER and NEUTRAL LIQUID SOAP. It is of vital importance that the liquid soap should not contain any grains which could scratch the surface.


The solution should be applied first onto a soft cloth which is then rubbed over the shell. It is important to follow the pattern of the satin finish with the cloth.

It is absolutely forbidden to pour liquids directly onto the hood.

The cloth used should not have any buttons, zips, fasteners or anything else which could scratch the surface.

The use harsh abrasive or granular products, petrol, spirits or similar products which could damage the surface of the material, is severely forbidden.

The manufacturer will not be responsible for any damages either functional or to the appearance of the hood, caused by cleaning operations carried out using unsuitable products or unsuitable methods.

 During cleaning, do not overuse the keys in order to avoid accidental ignition.

IF YOU ENCOUNTER A PROBLEM

Disconnect the hood from the mains electricity supply and keep it disconnected for ca 1 minute, then reconnect.

If the suction power has decreased, check that the grease filter cleaning intervals have been respected.

Also check that no foreign objects are accidentally aspirated (such as cleaning cloths) and if they are in the channel check that the channel fittings have not been damaged.

EUROPEAN DIRECTIVE MARK



This appliance is marked according to the European directive 2002/96/EC on Waste Electrical and Electronic Equipment (WEEE). This norm is the frame of a European-wide validity of return and recycling of Waste Electrical and Electronic Equipment.

The symbol on the product or on its packaging indicates that this product may not be treated as household waste. Instead it shall be handed over to the applicable collection point for the recycling of electrical and electronic equipment. By ensuring this product is disposed of correctly, you will help prevent potential negative consequences for the environment and human

health, which could otherwise be caused by inappropriate waste handling of this product, please contact your local city office, your household waste disposal service or the shop where you purchased the product.

TECHNICAL SUPPORT

If a technical problem occurs get in touch with RørosHetta.

post@roroshetta.no

NO

VIKTIGE SIKKERHETSOPPLYSNINGER

Les denne anvisningen nøye. Bare da vil du kunne bruke apparatet på en sikker og riktig måte. Oppbevar bruksanvisningen og installasjonshåndboken for fremtidig bruk eller senere eiere.

Produktet kan bare brukes trygt hvis det er riktig installert i henhold til sikkerhetsinstruksjonene. Installatøren er ansvarlig for å sikre at apparatet virker som det skal på det stedet det er installert.

Dette produktet er bare ment til privat bruk og i boliger. Apparatet er ikke til bruk utendørs. Ikke la apparatet være uten tilsyn mens det er i drift. Produsenten er ikke ansvarlig for skader som er forårsaket av feil bruk av produktet.

Dette apparatet kan brukes av barn over 8 år og av personer med nedsatt fysiske, sensoriske eller mentale evner og av personer som mangler erfaring eller kunnskap dersom de er under oppsyn eller er instruert av en person som er ansvarlig for deres sikkerhet om hvordan apparatet skal brukes trygt, og har forstått de tilknyttede farene.

Barn må ikke leke med, på eller rundt apparatet. Barn må ikke rengjøre apparatet eller utføre generelt vedlikehold med mindre de er minst 8 år og er under oppsyn.

Hold barn under 8 år på trygg avstand fra apparatet og strømkabelen.

Kontroller at apparatet ikke er skadet etter at det er pakket ut. Ikke koble til apparatet hvis det har blitt skadet under transport.

Bare en autorisert elektriker kan koble til apparatet uten støpsel. Skader forårsaket av feil tilkobling dekkes ikke av garantien.

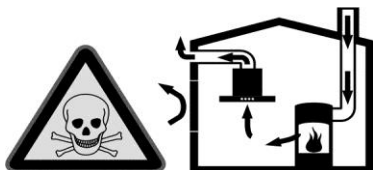
Fare for kvelning.

Emballasjemateriale er farlig for barn. Aldri la barn få leke med emballasjen.

Dødsfare!

Risiko for forgiftning av røykgasser som trekkes inn igjen.

Det må alltid sørges for nok friskluft i rommet samtidig som det benyttes et luftavhengig, varmeproduserende apparat.



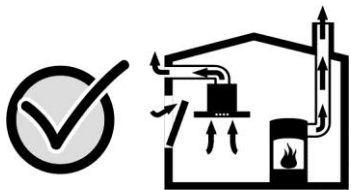
Apparater i rommet som produserer varme (f.eks. gass, olje, tre eller kuldrevne varmeovner, varmestrømsovner eller varmtvannsberedere) som får forbrenningsluft fra rommet de er installert i, og som avgir avgasser i luften via et avgassystem (f.eks. en pipe).

I kombinasjon med en aktivert kjøkkenventilator, trekkes romluften fra kjøkkenet og tiliggende rom – det oppstår et delvis vakuum hvis det ikke tilføres nok frisk luft. Giftige gasser fra pipen eller ventilasjonskanalen suges inn igjen i boligen.

- Det må alltid sikres at det tilføres nok luft.
- En tilførsels-/avgassboks på veggen alene vil ikke automatisk sikre at grensene overholdes.

Sikker bruk er bare mulig når det delvise vakuemet på plass der det varmeproduserende apparatet ikke overstiger 4 Pa (0,04 mbar). Dette kan oppnås når luften som er nødvendig for forbrenning kan komme inn gjennom åpninger som ikke

kan forsegles, for eksempel ved dører, vinduer, innkommende/utgående lufteluker eller på annen måte.



I slike tilfeller, ta kontakt med ansvarlig feiertjeneste. De kan vurdere hele ventilasjonsanlegget i huset og vil kunne foreslå egnede ventilasjonstiltak for deg.

Brannfare.

- Fettavleiringer i fettfilteret kan ta fyr. Fettfilteret må rengjøres minst hver 2. måned. Apparatet må aldri brukes uten fettfilteret. Brannfare.
- Fettavleiringer i fettfilteret kan ta fyr. Aldri arbeid med åpne flammer i nærheten av apparatet (f.eks. flambering). Ikke installer apparatet nær et varmeproduserende apparat med fast forbrenning (f.eks. tre eller kull) med mindre du har tilgjengelig et lukket deksel som ikke kan fjernes. Det må ikke være noen sprutende gnister.
- Varm olje og fett kan antennes raskt. Aldri la varmt fett eller olje være uten tilsyn. Ikke bruk vann for å slokke brennende olje eller fett. Skru av varmeplaten. Slokk flammer forsiktig med et lokk, brannteppe eller lignende.

Fare for forbrenninger.

De tilgjengelige delene blir svært varme ved bruk. Aldri berør varme deler. Hold barn på trygg avstand.

Fare for personskade.

Komponenter inne i apparatet kan ha skarpe kanter. Bruk vernehansker. Fare for personskade.

Fare for elektrisk støt.

- Et defekt apparat kan forårsake elektrisk støt. Aldri skru på et defekt apparat. Trekk ut støpselet fra kontakten eller skru av sikringen i sikringsboksen. Kontakt ettersalgsservice
- Reparasjoner utført feil representerer en fare. Reparasjoner og utskiftning av skadde strømkabler må bare utføres av en av våre opplærte serviceteknikere. Hvis apparatet er defekt, trekk ut støpselet fra kontakten eller skru av sikringen i sikringsboksen. Kontakt ettersalgsservice
- Ikke benytte høytrykkssprøyter eller damprensere. Dette kan gi elektrisk støt.

MILJØVERN

Det nye apparatet ditt er spesielt energieffektivt. Her kan du finne tips om hvordan du sparer enda mer energi når du bruker apparatet.

ENERGISPARING

- Hvis matos allerede har spredd seg i kjøkkenet, må kjøkkenventilatoren stå på lengre.
- Skru av kjøkkenventilatoren hvis den ikke trengs lenger.
- Skru av belysningen hvis den ikke trengs lenger.
- Rengjør og om nødvendig, skift ut filteret med jevne mellomrom for å øke effektiviteten av ventilasjonssystemet og å forhindre at det oppstår brann.

MONTERINGSANVISNING

Monter kjøkkenventilatoren som vist på bildene.

Koble til kontakten vist i bilde 6 for å måle Pm-trykket.

Gjennom Pm-målingen og ventilposisjonen er det mulig å etablere den luftmengden som skal trekkes: i den grafiske fremstillingen F1–F6 (fremtvungen ventilasjon) og i den grafiske fremstillingen G1–G6 (grunnventilasjon).

Kjøkkenventilatoren er tung, og det trengs 2 personer for å flytte den.

Ved installasjon av kjøkkenventilatoren må det alltid brukes vernehansker for å unngå personskader.

Røret må være varme- flamme- og korrosjonssikkert. Produsenten anbefaler på det sterkeste at det ikke brukes reduksjonsrør eller rør med en annen diameter enn det som er på kjøkkenventilatorens utgangsrør. Bruk heller ikke rør laget av fleksibel aluminium fordi ytelsen nedsettes og støynivået økes.

Endestykket på røret, på utsiden av hullet i veggen, må ha en form som gjør at det ikke kommer regn, vindstøt eller andre fremmedlegemer inn i røret. Skulle det være noen tvil, ta kontakt med en spesialist inne installasjon av gass- eller ventilasjonssystem for ikke å redusere luftstrømmen.

TILPASNING AV LUFTSTRØMMEN

Forsert ventilasjon:

- Rotér skruen 360° mot klokken (bilde 7 punkt 1).
- Flytt platen (bilde 7 punkt 2) i ønsket posisjon i henhold til diagrammet, som vises i den grafiske fremstillingen på bilde F.
- Drei skruen med klokken til den sitter fast (bilde 7 punkt 3).
- Mål Pm-trykket for å kontrollere at verdien av ventilasjonsstyrken opprettholdes i henhold til diagrammet i bilde F.

Grunnventilasjon (hvis anbefalt):

- Skru ut skruen (bilde 8 punkt 1).
- Ta av den eksisterende ventilplaten (bilde 8 punkt 2).
- Sett inn den medleverte platen med den kurvede siden (bilde 9 punkt 3).
- Flytt platen med den kurvede siden (bilde 10 punkt 4) i ønsket posisjon i henhold til ønsket posisjon som vist i den grafiske fremstillingen på bilde G.
- Sett inn skruen og drei den med klokken til den sitter fast (bilde 10 punkt 5).

Mål Pm-trykket for å kontrollere at ønsket verdi på ventilasjonsstyrken opprettholdes i henhold til diagrammet i bilde G.

FØR ELEKTRISK INSTALLASJON

Før tilkobling må du:

- kontroller at de angitte elektriske dataene er i samsvar nettspenningen og frekvensen i bygningen der kjøkkenventilatoren skal installeres.
- kontroller at bygningen er utstyrt med elektriske sikkerhetssystemer for å beskytte mot kortslutninger og systemer mot elektrisk støt, i henhold til til gjeldende forskrifter.
- installer en elektrisk kontakt (eller tilkoblingspunkt) med en topolet bryter, som har kontakter med en åpning på minst 3 mm.
- hvis det er ønskelig å installere kjøkkenventilatoren med et støpsel, må du ha tilgang til støpselet.
- alltid skru av hovedbryteren med den topoledede bryteren før tilkobling, og på igjen bare når tilkoblingen er utført, testet og er trygg.

ELEKTRISK TILKOBLING

ADVARSEL 

Den elektriske tilkoblingen må bare utføres av autoriserte elektrikere, ved bruk av standard materiale og som er i henhold til standard installasjonsmetoder. Produsenten tar ikke noe ansvar for installasjoner utført av uautoriserte personer og for installasjoner som ikke er i samsvar med standarder som gjelder elektrisk sikkerhet (både når det gjelder metoder og materialer).

ELEKTRISKE DATA

De elektriske, tekniske dataene vises inne i kjøkkenventilatoren etter at fettfiltrene er tatt ut.

TILKOBLING TIL STRØMNETTET

Den fleksible tilførselskabelen er allerede tilkoblet innvendig og kommer ut av kjøkkenventilatoren nær luftutløpet.



Det er mulig å foreta to typer elektrisk installasjon:

- fast installasjon;
- installasjon med støpsel i en kontakt;
- hvis en ekstern enhet er tilkoblet, kan den ikke overstige 300VA ved 230V~.

FORHOLDSREGLER SOM MÅ TAS HVIS DET SKAL UTFØRES REPARASJON

Reparasjoner, inkludert utskiftning av strømkabelen, hvis det skulle være nødvendig må bare utføres av autoriserte teknikere, med standard metoder, instrumenter og materialer. Reparasjoner som utføres av andre kan være farlige og kan utgjøre en brannfare.

FUNKSJON OG BRUK

 VL 1 2 3	Stand-by	<p>Vi kan stille inn 2 forskjellige typer standby-modus ved å trykke lenge på VL-trykkknappen. Hvis knappen på VL-trykkknappen trykkes på i mer enn 3 sekunder i standby, endres den sist innstilte standby-modus (fra Standby A til Standby B og LED-lyset blinker to ganger, eller alternativt fra Standby B til Standby A og led-lyset blinker en gang).</p> <p>Standby A (standard innstilling på hetten): hvis ingen trykknapp som kontrollerer viften er aktiv, er ventilen lukket og viften fungerer i hastighet 1.</p> <p>Standby B: hvis ingen trykknapp som kontrollerer viften er aktiv, er ventilen lukket og viften er av.</p> <p>60 minutter etter aktivering av en hvilken som helst kontrollknapp på viften, skifter hetten automatisk til gjeldende standby-modus.</p>
		Lys på/av.
	VL	<p>Ved å trykke raskt på knappen stilles viften med hastighet 3 med lukket ventil; hvis funksjonen allerede er aktiv, vil gjeldende standby bli aktivert.</p> <p>Hvis knappen trykkes på i mer enn 3 sekunder i standby, endres den sist innstilte standby-modus (fra Standby A til Standby B og LED-lyset blinker to ganger, eller alternativt fra Standby B til Standby A og led-lyset blinker en gang).</p>
	1	<p>Hvis knappen trykkes på uten at dens funksjon er aktivert, aktiveres viften i hastighet 1 med åpen ventil.</p> <p>Hvis knappens funksjon allerede er aktivert, aktiverer den standby-modus.</p>
	2	<p>Hvis knappen trykkes på uten at dens funksjon er aktivert, aktiveres viften i hastighet 2 med åpen ventil.</p>

	Hvis knappens funksjon allerede er aktivert, aktiverer den standby-modus.
3	Hvis en trykker på knappen uten at funksjonen er aktivert, aktiveres viften i hastighet 3 med åpen ventil. Hvis knappens funksjon allerede er aktivert, aktiverer den standby-modus

Når ventilen åpnes/lukkes eller beveges, deaktiveres motoren øyeblikkelig.

Når funksjonen tilknyttet trykknappen er aktiv, er det aktuelle LED-lyset på.

VEDLIKEHOLD


FETTFILTRE

De metalliske fettfiltrene er posisjonert på bunnen av kjøkkenventilatoren og brukes til å holde på alt fett som normalt blir sluppet ut med matosen. De kan enten vaskes for hånd eller i oppvaskmaskinen.

Ved håndvask brukes varmtvann og såpe. Børst kraftig for hånd flere ganger, og skyll så under springen.

Etter vask må fettfiltrene tørkes og settes riktig på plass.


Det er mulig at filteret vil ha en liten fargeforandring etter vask.

  Det anbefales å vaske fettfiltrene til komfyren etter ca. 50 – 100 etter brukstimer.

Hvis fettfiltrene er svært skitne, kan motoren bare ta inn små luftmengder, og det reduserer ytelsen.

Fettet som samler seg opp på skitne filtre er svært brannfarlig og kan **forårsake brann** hvis det ikke fjernes ved jevnlig vask.

Produsenten tar ikke noe ansvar for brann som forårsakes av dårlig vedlikehold av fettfiltrene.

 Aldri aktiver utsuging uten innsatte fettfiltre.

Selskapet fraskriver seg alt ansvar hvis advarslene ovenfor overses.

RENGJØRING

For å holde kjøkkenventilatoren i god stand må den vaskes jevnlig ved å følge rådene nedenfor.

 Påse at strømmen er slått helt av.

Rengjøringsløsningen som anbefales er en kombinasjon av VANN og NØYTRAL, FLYTENDE SÅPE. Det er svært viktig at den flytende såpen ikke inneholder noen kort som kan skade overflaten.


Løsningen må først helles på en tørr klut, som så gnis over skallet. Det er viktig å følge mønsteret i satengoverflaten med kluten.

Det må ikke helles flytende væsker direkte på kjøkkenventilatoren.

Kluten som brukes må ikke ha noen knapper, glidelåser, hekter eller noe annet som kan skrape opp overflaten.

Bruk av harde, slipende eller kornede produkter, bensin, sprit eller lignende produkter som kan skade overflaten på materialet er ikke tillatt.

Produsenten skal ikke holdes ansvarlig for noen skader på kjøkkenventilatoren, funksjonelle eller utseendemessig, som er forårsaket av rengjøringsarbeid ved bruk av uegnede produkter eller uegnede metoder.

 Ikke bruk tastene for mye ved rengjøring for å unngå at den skrus på ved et uhell.

HVIS DET OPPSTÅR ET PROBLEM

Koble kjøkkenventilatoren fra strømforsyningen og la den være frakoblet i ca. 1 minutt, og koble så til strømmen igjen.

Hvis innsugningseffekten er redusert, kontroller at intervallene for rengjøring av fettfilteret har blitt overholdt.

Kontroller at det ikke utilsiktet er blitt sugd inn noen fremmedobjekter (som vaskekluter) og hvis de er i kanalen, kontroller at kanalfestene ikke har blitt skadet.

EUROPEISK DIREKTIVMERKING



Dette apparatet er merket i samsvar med det europeiske direktivet 2002/96/EU for for elektrisk og elektronisk utstyr (WEEE). Denne standarden er rammeverket i en europeisk rettledning av retur og gjenvinning av elektrisk og elektronisk utstyr.

Symbolet på produktet eller på emballasjen angir at dette produktet ikke må behandles som vanlig husholdningsavfall. Istedenfor må det leveres til en innsamlingsstasjon for resirkulering av elektrisk og elektronisk utstyr. Ved å sikre at dette produktet avhendes på en riktig måte, vil du bidra til å forhindre mulige negative virkninger på miljø og helse, som ellers kan bli resultatet ved

feil avfallsbehandling av dette produktet. For mer informasjon om avfallsbehandling av dette produktet, kan du ta kontakt med renholdsverket der du bor eller butikken der du kjøpte produktet.

TEKNISK STØTTE

Hvis det oppstår et teknisk problem, ta kontakt med RørosHetta.

post@roroshetta.no

VIGTIGE SIKKERHEDSOPLYSNINGER

Læs denne vejledning grundigt. Først derefter vil du være i stand til at betjene maskinen sikkert og korrekt. Gem brugsvejledning og installationsvejledning til fremtidig brug eller til efterfølgende ejere.

Apparatet kan kun bruges sikkert, hvis det er monteret korrekt i henhold til sikkerhedsforskrifterne. Installatøren er ansvarlig for, at apparatet fungerer perfekt på installationsstedet.

Dette apparat er kun beregnet til husholdningsbrug og husholdninger. Apparatet er ikke beregnet til udendørs brug. Lad ikke apparatet være uden opsyn under drift. Fabrikanten er ikke ansvarlig for skader, som er forårsaget af ukorrekt brug eller forkert betjening.

Dette apparat kan anvendes af børn, der er mindst 8 år gamle og af personer med nedsatte fysiske, sensoriske eller mentale evner eller af personer uden erfaring eller kendskab til apparatet, hvis de overvåges eller er instrueret af en person, der er ansvarlig for deres sikkerhed, i hvordan man bruger apparatet sikkert og har forstået de tilknyttede risici.

Børn må ikke lege med, på eller omkring apparatet. Børn må ikke rengøre apparatet eller foretager almindelig vedligeholdelse, medmindre de er mindst 8 år gamle og bliver overvåget.

Hold børn under 8 år på sikker afstand af apparatet og netledningen.

Kontroller apparatet for skader efter udpakning. Tilslut ikke apparatet, hvis det er blevet beskadiget under transporten.

Kun en autoriseret faglært person må tilslutte apparater uden stik. Skader forårsaget af forkert tilslutning er ikke dækket af garantien.

Kvælningsfare!

Emballeringsmaterialet er farligt for børn. Lad aldrig børn at lege med emballagematerialet.

Livsfare!

Risiko for forgiftning fra røggasser, der trækkes ind.

Sørg altid for tilstrækkelig frisk luft i lokalet samtidig med at der anvendes et rumluftsugende, varmeafgivende apparatet.



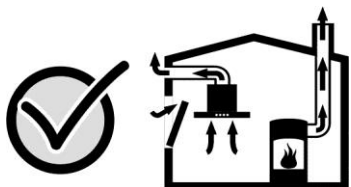
Rumluftsugende, varmeafgivende apparater (f.eks. gas-, olie-, træ- eller kuldrevne ovne, varmeapparater med kontinuerligt flow eller vandvarmere) indtager forbrændingsluft fra det lokale, hvori de er installeret og udleder afledningsgasser til luften via et gasudledningssystem (f.eks. en skorsten).

I kombination med et aktiveret emfang, udsuges rumluften fra køkkenet og de tilstødende lokaler - der opstår et delvist undertryk, hvis der ikke forsynes tilstrækkelig frisk luft. Giftige gasser fra skorstenen eller udsugningskanalen suges tilbage til boligarealet.

- Derfor skal der altid sikres tilstrækkelig indgående luft.
- En ventilationskasse i væggen til luftindtag/-udsugning alene sikrer ikke overholdelse af grænseværdien.

Sikker drift er kun mulig, hvis det delvise undertryk på stedet, hvor det varmeafgivende apparatet er installeret, ikke overstiger 4 Pa (0,04 mbar). Dette kan opnås når den

nødvendige luft til forbrændingen kan komme ind gennem åbninger, der ikke kan forsegles, for eksempel døre, vinduer, ventilationskasser i væggen til luftindtag/-udsugning eller andre tekniske hjælpemidler.



Kontakt under alle omstændigheder din skorstensfejer. Han er i stand til at vurdere husets samlede ventilation og vil foreslå passende ventilationsforanstaltninger.

Brandfare!

- Fedtaflejringer i fedtfilteret kan antændes.
Rens fedtfilteret mindst hver 2. måned.
Brug aldrig apparatet uden fedtfilter. Brandfare!
- Fedtaflejringer i fedtfilteret kan antændes. Arbejd aldrig med åben ild i nærheden af apparatet (f.eks. flambering). Installer ikke apparatet i nærheden af et varmeafgivende apparat til fast brændsel (dvs. træ eller kul) medmindre der er en lukket, ikke-aftagelig dækplade. Der må ikke være gnister.
- Varm olie og fedt kan antænde meget hurtigt. Efterlad aldrig varmt fedt eller olie uden opsyn. Brug aldrig vand til at slukke brændende olie eller fedt. Sluk for varmepladen. Sluk forsigtigt flammerne med et låg, brandtæppe eller noget lignende.

Risiko for forbrændinger!

De tilgængelige dele kan blive meget varme under drift. Rør aldrig ved de varme dele. Hold børn på sikker afstand.

Fare for kvæstelser!

Komponenter inden i apparatet kan have skarpe kanter. Bær beskyttelsehandsker. Fare for kvæstelser!

Fare for elektrisk stød!

- Et defekt apparat kan forårsage elektrisk stød. Tænd aldrig et defekt apparat. Tag stikket ud af stikkontakten, eller slå strømafbryderen fra i sikringsboksen. Kontakt eftersalgsservice.
- Forkerte reparationer er farlige. Reparationer må kun udføres og beskadigede strømkabler udskiftes af én af vores faglærte eftersalgsteknikere. Hvis apparatet er defekt skal du tage stikket ud af stikkontakten, eller slå strømafbryderen fra i sikringsboksen. Kontakt eftersalgsservice.
- Brug ikke højtryksrensere eller damprensere, da det kan resultere i elektrisk stød.

MILJØBESKYTTELSE

Dit nye apparat er særligt energieffektivt. Her kan du finde tips til, hvordan du sparer endnu mere energi, når du bruger apparatet.

ENERGIBESPARELSER

- Hvis madlavningsdampene allerede har spredt sig i køkkenet, skal emfanget være tændt i længere tid.
- Sluk for emfanget, hvis du ikke længere har brug for det.
- Sluk for belysningen hvis du ikke længere har brug for det.
- Rengør og udskift om nødvendigt filteret med regelmæssige mellemrum med henblik på at øge effektiviteten af ventilationssystemet og for at undgå risiko for brand.

MONTERINGSVEJLEDNING

Montér emhætten som vist på billedet.

Tilslut stikket vist på billedet 6 for at måle Pm-trykket.

Ved hjælp af måling af Pm og ventilens position er det muligt at fastslå den udsugede mængde luft: på graferne F1-F6 (forceret ventilation) og på graferne G1-G6 (basisventilation).

Emhætte er tung og det kræver 2 personer at flytte den.

Under installation af emhætten skal man altid bære beskyttende handsker for at forhindre skader.

Røret skal være varme-, brand- og korrosionsbestandigt. Producenten fraråder på det kraftigste brugen af reduktionsanordninger eller rør med forskellig diameter til emhættens udgangsrør, og rør lavet af fleksibelt aluminium, fordi ydeevnen er forringet og støjniveauet øges.

Ende af røret skal, på ydersiden af hullet i væggen, have en sådan form, der forhindrer at regn, vindstød eller andre fremmedlegemer kommer ind i røret. Skulle der herske nogen som helst tvivl bedes du kontakte en specialist indenfor installation af gas- eller ventilationssystemer og ikke reducere luftstrømmen.

LUFTSTRØMJUSTERING

Forceret ventilation:

- Drej skruen 360° mod uret (billede 7 punkt 1).
- Flyt pladen (billede 7 punkt 2) til den ønskede position i.h.t. diagrammet, som vist på grafen på billede F.
- Drej skruen med uret indtil den er fast (billede 7 punkt 3).
- Mål Pm-trykket for at kontrollere, at værdien af den ønskede forcerede ventilation opnås med henvisning til diagrammet på billede F.

Basisventilation (hvis anbefalet):

- Fjern skruen (billede 8 punkt 1).
- Fjern den eksisterende ventilplade (billede 8 punkt 2).
- Indsæt den medfølgende plade med den buede side (billede 9 punkt 3).
- Flyt pladen med den buede side (billede 10 punkt 4) til den ønskede position i.h.t. den ønskede værdi, som vist på grafen på billede G.
- Indsæt skruen og drej den med uret indtil den er fast (billede 10 punkt 5)
- Mål Pm-trykket for at kontrollere, at den ønskede basisventilation opnås med henvisning til diagrammet på billede G.

FØR ELEKTRISK INSTALLATION

Inden tilslutning skal du:

- Kontroller at de angivne elektriske data er i overensstemmelse med netspændingen og frekvensværdierne i bygningen, hvor emhætten skal installeres.
- Kontrollér, at bygningen er forsynet med elektriske sikkerhedssystemer til beskyttelse mod kortslutning og elektrisk stød, i henhold til gældende lovgivning.
- Montér en stikkontakt (eller tilslutningspunkt) med en bipolær afbryder, som har kontakter med en åbning på mindst 3 mms.
- Hvis man også ønsker at installere emhætten med et stik, er det nødvendigt at du har adgang til stikket.
- Sluk altid netspændingsforsyningen ved hjælp af den bipolære afbryder før tilslutning og tænd igen, når alle tilslutninger er udført, afprøvede og sikre.

ELEKTRISK TILSLUTNING

ADVARSEL 

Den elektriske tilslutning må kun udføres af kvalificerede fagfolk med brug af standardmaterialer og de nye installationsmetoder. Producenten fralægger sig ethvert ansvar for installationer udført

af lægfolk og for installationer, der ikke er i overensstemmelse med standardnormer vedrørende elektrisk sikkerhed (både med hensyn til metoder og materialer).

ELEKTRISKE TEKNISKE DATA

De elektriske tekniske data kan ses inden i hættens når fedtfilterne er fjernet.

TILSLUTNING TIL STRØMFORSYNING

Det medfølgende fleksible kabel er allerede tilsluttet indvendigt og stikker ud fra emhættens tæt på luftudgangskanalen.



Det er muligt at foretage to typer elinstallation:

- fast installation;
- installation med stik i en stikkontakt;
- hvis der er tilsluttet en ekstern enhed, må den muligvis ikke overstige 300VA ved 230V~.

FORHOLDSREGLER HVIS DER SKAL UDFØRES REPARATIONER

Reparationer, herunder udskiftning af nødvendigt forsyningskabel, må kun udføres af kvalificeret personale ved brug af standardmetoder, -instrumenter og -materialer. Alle reparationer udført af andre kan være farlige og kan medføre brandrisiko.

FUNKTION OG BRUG

 VL 1 2 3	Stand-by Det er muligt at indstille 2 forskellige standby måder ved brug af et langt tryk på VL-knappen. Hvis VL-knappen trykkes ned i standby måde i mere end 3 sekunder, ændres den sidst indstillede standby måde (fra standby A til standby B og lysdioden blinker to gange, eller også fra standby B til standby A og lysdioden blinker en gang). Standby A (standardindstilling på emhættens): Hvis der ikke er en aktiv knap til styring af blæseren, er ventilen lukket og blæseren virker med hastighed 1. Standby B: Hvis der ikke er en aktiv knap til styring af blæseren, er ventilen lukket og blæseren slukket. 60 minutter efter aktivering af en hvilken som helst knap på blæseren, ændrer emhættens automatisk til den løbende indstillet standby måde.
	 Belysning tændt/slukket.
	VL Med et kort tryk på knappen aktiveres blæseren med hastighed 3 og lukket ventil. Hvis funktionen allerede er aktiv, aktiveres den løbende standby indstilling. Hvis knappen er trykket ned i mere end 3 sekunder i standby funktion, ændres den sidst indstillede standby måde (fra standby A til standby B og lysdioden blinker to gange, eller også fra standby B til standby A og lysdioden blinker en gang).
	1 Hvis knappen er trykket ned uden aktiveret funktion, starter

	<p>blæseren med hastighed 1 med åben ventil. Hvis knappens funktion allerede er aktiveret, aktiveres standby måden.</p>
2	<p>Hvis knappen er trykket ned uden aktiveret funktion, starter blæseren med hastighed 2 med åben ventil. Hvis knappens funktion allerede er aktiveret, aktiveres standby måden.</p>
3	<p>Hvis knappen er trykket ned uden aktiveret funktion, starter blæseren med hastighed 3 med åben ventil. Hvis knappens funktion allerede er aktiveret, aktiveres standby måden.</p>

Når ventilen åbnes/lukkes eller flyttes afbrydes motoren midlertidigt.

Når funktionen der er knyttet til knappen, er aktiv, er den pågældende lysdiode tændt.

VEDLIGEHOLDELSE



FEDTFILTRE

Metalfedtfiltrene er placeret i bunden af emhætten og bruges til at indeholde det fedt, der normalt udledes fra madlavningsdampe. De kan de vaskes enten i hånden eller i opvaskemaskine.

Brug varmt vand og sæbe til opvask i hånden. Dette kan gøres manuelt ved at børste energisk flere gange og derefter skylle under vandhanen.

Efter vask skal fedtfiltrene tørre og monteres korrekt igen.


Det er muligt at filtrene ændres lidt i farven efter vask.

  Det anbefales at vaske fedtfiltrene efter ca. 50-100 timers brug af emfanget.

Hvis fedtfiltrene er meget snavsede, kan motoren kun indtage en lille mængde luft, og ydeevnen reduceres.

Det fedt, der ophobes på snavsede filtre er let antændelig og **kan forårsage brand**, hvis det ikke fjernes ved periodisk vask.

Producenten fralægger sig ethvert ansvar for brande, der skyldes dårlig vedligeholdelse af fedtfiltre.

 Aktiver aldrig udsugning uden at have monteret fedtfiltrene.

Selskabet fralægger sig ethvert ansvar hvis ovenstående advarsler ikke tages til efterretning.

RENGØRING

For at bevare emhætten i god stand, skal den jævnligt rengøres i henhold til rådene på følgende måde.

 Sørg for, at strømforsyningen er helt slukket.

Det anbefalede rengøringsmiddel er en kombination af VAND og NEUTRAL FLYDENDE SÆBE. Det er vigtigt, at den flydende sæbe, ikke indeholder partikler, som kan ridse overfladen.


Dyp først en blød klud i opløsningen og gnid derefter hættens med kluden. Det er vigtigt at følge mønstret i satin finish med kluden.

Det er strengt forbudt at hælde væsker direkte på hættens.

Kluden må ikke have nogen knapper, lynlåse, spænder eller noget som helst andet, der kan ridse overfladen.

Brug af skræppe slibemidler eller granulerede produkter, benzin, sprit eller lignende produkter, som kan beskadige materialets overflade, er strengt forbudt.

Producenten kan ikke gøres ansvarlig for skader, hvad enten det er funktionsmæssige eller udseendemæssige skader på emhætten, der er forårsaget af rengøring med brug af uegnede midler eller metoder.

 Under rengøring må man ikke bruge knapperne for meget for at undgå utilsigtet tænding.

HVIS DU STØDER PÅ PROBLEMER

Kobl emhætten fra elforsyningen og lad den være frakoblet i ca. 1 minut, tilslut den så igen.

Hvis sugeeffekten er faldet, skal det kontrolleres, at fedtfilterets rengøringsintervaller er blevet overholdt.

Kontrollér også, at der ikke er suget fremmedlegemer op ved et uheld (f.eks. rengøringsklude), og hvis de er i kanalen, skal man kontrollere, at kanalens fittings ikke er beskadiget.

MÆRKE I.H.T. EU-DIREKTIV



Dette apparat er mærket i henhold til EU-direktiv 2002/96/EF om affald af elektrisk og elektronisk udstyr (WEEE). Denne norm er rammen om en ordning for returnering og genbrug af affald af elektrisk og elektronisk udstyr, der er gyldig i hele Europa.

Symbolet på produktet eller på emballagen betyder, at produktet ikke må behandles som husholdningsaffald. I stedet skal det afleveres på et indsamlingssted til genbrug af elektrisk og elektronisk udstyr. Når du sikrer, at dette produkt bortskaffes korrekt, hjælper du med til at forhindre negativ påvirkning af miljøet og menneskers helbred, der ellers kunne forårsages pga. ukorrekt bortskaffelse af dette produkt. Du bedes kontakte din kommune, dit renovationselskab eller den butik, hvor du købte produktet.

TEKNISK SUPPORT

Kontakt RørosHetta, hvis der opstår et teknisk problem.

post@roroshetta.no

VIKTIG SÄKERHETSINFORMATION

Läs dessa instruktioner noga, endast då kommer du att kunna använda din produkt på säkert och korrekt sätt. Förvara instruktionsmanualen och installationsinstruktionerna för framtida användning eller för kommande ägare.

Apparaten kan endast användas på säkert sätt om den installerats korrekt enligt säkerhetsanvisningarna. Installatören ansvarar för att garantera att apparaten fungerar perfekt på installationsplatsen.

Denna apparat är avsedd för hemmabruk och endast i hemmamiljö. Apparaten är inte avsedd att användas utomhus. Lämna inte apparaten utan tillsyn när den är i drift. Tillverkaren ansvarar inte för skada, som orsakats av felaktig användning eller inkorrekt drift.

Denna apparat kan användas av barn över 8 år och av personer med nedsatt fysisk, sensorisk och psykisk förmåga eller av personer, som saknar erfarenhet av eller kännedom om den, om de övervakas eller instrueras av en person, som ansvarar för deras säkerhet, hur man använder apparaten på säkert sätt och har förstått tillhörande risker.

Barn får inte leka med, eller i närheten av, apparaten. Barn får inte rengöra apparaten eller utföra allmänt underhåll om de inte är över 8 år och hålles under uppsyn.

Håll barn under 8 år på säkert avstånd från apparaten och elkabeln.

Kontrollera att apparaten inte är skadad efter att du packat upp den. Anslut inte apparaten om den skadats under transport.

Endast behörig fackman får ansluta apparaten utan kontakter. Skador som orsakats av felaktig anslutning täcks inte av garantin.

Risk för kvävning!

Förpackningsmaterial är farligt för barn. Låt aldrig barn leka med förpackningsmaterial.

Livsfara!

Risk för förgiftning från förbränningsgas, som sugts tillbaka in.

Garanteras alltid tillräckligt med tilluft till lokalen samtidigt som en luftberoende värmealstrande apparat används i lokalen.



Luftberoende, värmealstrande inomhusapparater (t.ex. gas-, olje-, trä- eller koldrivna värmeapparater, kontinuerliga flödesvärmare eller vattenvärmare) tar förbränningsluft från den lokal i vilken de installerats och släpper ut avgas i fria luften genom ett avgassystem (t.ex. en skorsten).

I kombination med en aktiverad utsugningsfläkt, sugs luften ut från köket och från närliggande rum - ett partiellt vakuum alstras om inte tillräckligt med frisk luft tillförs. Giftiga gaser från skorstenen eller utsugningskanalen sugts tillbaka in i boytan.

- Lämplig inkommande luft måste därför alltid garanteras.
- Enbart en ventil för inluft/avgaser kan inte garantera överensstämmelse med begränsningen.

Säker drift är endast möjlig när partiellt vakuum, på den plats där den värmealstrande apparaten installerats, inte överskrider 4 Pa (0.04 mbar). Detta kan uppnås när den luft, som krävs för förbränning, kan släppas in genom

öppningar, som inte kan förseglas, till exempel dörrar, fönster, inluft/avgasventiler eller andra tekniska medel.



I vilket fall som helst, rådfråga din sotarmästare. Han/hon kan bedöma husets totala ventilationssystem och ge dig råd om lämpliga ventilationsåtgärder.

Risk för eldsvåda!

- Fettavlagringar i fettfiltret kan fatta eld.
Rengör fettfiltret åtminstone varannan månad.
Använd aldrig apparaten utan fettfilter. Risk för eldsvåda!
- Fettavlagringar i fettfiltret kan fatta eld. Arbeta aldrig med öppen eld i närheten av apparaten (t.ex. flambering). Installera inte apparaten i närheten av en värmealstrande apparat för fast bränsle (t.ex. trä eller kol) om inte ett stängt, icke-borttagbart skydd finns tillgängligt. Det får inte förekomma flygande gnistor.
- Het olja och fett kan fatta eld mycket snabbt. Lämna aldrig het olja eller fett utan tillsyn. Använd aldrig vatten för att släcka brinnande olja eller fett. Slå av plattan. Släck elden noga med ett lock, en brandfilt eller liknande.

Risk för brännskador!

Åtkomliga delar blir mycket heta när de används. Rör aldrig vid heta delar. Håll barn på säkert avstånd.

Risk för personskador!

Komponenter på apparatens insida kan ha skarpa kanter. Använd skyddshandskar. Risk för personskador!

Risk för elchock!

- En trasig apparat kan orsaka elchock. Slå aldrig på en trasig apparat. Dra ur kontakten till apparaten från uttaget eller slå av kretsbrytaren i säkringsboxen. Kontakta kundtjänst.
- Felaktiga reparationer är farliga. Reparationer får endast utföras, och skadade kablar bytas ut, av en av våra utbildade servicetekniker. Om apparaten skulle vara trasig, dra ut kontakten till den från uttaget eller slå av kretsbrytaren i säkringsboxen. Kontakta kundtjänst.
- Använd inte högtryckstvättar eller ångtvättar, då detta skulle kunna framkalla elchock.

MILJÖSKYDD

Din nya apparat är särskilt energisnål. Här kan du hitta tips om hur du ska kunna spara ännu mer energi när du använder apparaten.

SPARA ENERGI

- Om matoset redan spridit sig i köket måste spiskåpan användas längre.
- Slå av spiskåpan när du inte längre behöver den.
- Slå av ljuset när du inte längre behöver det.
- Rengör och, vid behov, byt ut filtret regelbundet för att öka ventilationssystemets effektivitet och förekomma risk för eldsvåda.

MONTERINGSINSTRUKTIONER

Montera spiskåpan så som visas på bilderna.

Anslut till det uttag, som visas i bild 6, för att mäta Pm tryck.

Genom Pm mätningen och ventilens läge är det möjligt att bestämma den mängd luft, som sugts ut: i den grafiska framställningen F1-F6 (forcerad ventilation) och i den grafiska framställningen G1-G6 (basventilation)

Spiskåpan är tung och det krävs 2 personer för att flytta den.

Under installation av spiskåpan, bär alltid skyddshandskar för att förebygga personskador.

Röret måste vara värme-, flam- och korrosionsbeständigt. Tillverkaren avråder bestämt användning av reducerstycken eller rör med annan diameter för kåpans utsugningsrör, samt rör av flexibel aluminium eftersom prestandan minskas och bullernivån ökar.

Rörändan, på utsidan av hålet i väggen, måste vara format så att regn, vindpustar eller andra främmande föremål förhindras från att tränga in i röret. Vid tvivel, kontakta någon som är specialiserad på installation av gas- eller ventilationssystem och minska inte luftflödet.

INJUSTERING AV LUFTFLÖDE

Forcerad ventilation:

- Vrid skruven moturs 360° (bild 7 punkt 1).
- Flytta plattan (bild 7 punkt 2) till önskat läge, motsvarande det diagram, som visas i den grafiska framställningen av bild F.
- Vrid skruven medurs tills den fästs (bild 7 punkt 3).
- Mät Pm-trycket för att kontrollera att värdet på den önskade forcerade ventilationen erhålles med hänvisning till diagram av bild F.

Grundventilation (om rekommenderad):

- Ta bort skruven (bild 8 punkt 1).
- Ta bort den existerande spjälluckan (bild 8 punkt 2).
- För in den medföljande plattan med den böjda sidan uppåt (bild 9 punkt 3).
- Flytta spjälluckan till önskat läge enligt bild 10 och diagram G.
- Montera skruven och vrid den medurs tills den fästs. (bild 10 punkt 5).
- Mät Pm-trycket för att kontrollera att värdet på den önskade grundventilationen erhålles med hänvisning till diagram av bild G.

FÖRE ELINSTALLATIONEN

Före anslutning måste du:

- kontrollera att angivna elektriska data överensstämmer med elsystemets spännings- och frekvensvärden i den byggnad där spiskåpan ska installeras.
- kontrollera att byggnaden är utrustad med elsäkerhetssystem för skydd mot kortslutningar och elchockssystem enligt gällande lagar.
- Installera ett eluttag (eller en anslutningspunkt) med en allpolig brytare, som har kontakter med en öppning på åtminstone 3 mm.
- om du vill installera spiskåpan med en kontakt, är det nödvändigt att du har åtkomst till kontakten;
- slå alltid av elförsörjningen med den bipolära brytaren innan du ansluter och slå bara på igen efter att anslutningen har färdigställts, testats och befunnits säker.

ELANSLUTNING

VARNING

Elektrisk anslutning får endast utföras av kvalificerad fackman med standardmaterial och toppmoderna installationsmetoder. Tillverkaren avsäger sig allt ansvar för installationer, som utförts av utbildade personer och för installationer, som inte överensstämmer med standardförfordningarna om elektrisk säkerhet (både vad beträffar metoder och material).

ELTEKNISKA DATA

Eltekniska data visas inne i kåpan efter att fettfiltret avlägsnats.

ANSLUTNING TILL ELFÖRSÖRJNINGEN

Försörjningskabeln är redan ansluten på insidan och går ut ur kåpan i närheten av luftutsläppskanalen.

Det går att utföra två typer av elinstallationer:



- fast installation;

- installation med kontakt och uttag;
- om en extern enhet är ansluten får den inte överstiga 300VA vid 230V~.

FÖREBYGGANDE ÅTGÄRDER SOM SKA VIDTAGAS OM REPARATIONER SKA UTFÖRAS

Reparationer, inklusive byte av anslutningsledningen, får endast utföras av kvalificerad personal med metoder, instrument och material av standardtyp. Eventuella reparationer, som utförs av andra personer, skulle kunna vara farliga och innebära risk för eldsvåda.

FUNKTION OCH ANVÄNDNING

 VL 1 2 3	<p>Stand-by Vi kan ställa in två olika typer av beredskapslägen genom att trycka länge på VL-tryckknappen. Om knappen på VL-tryckknappen trycks in längre än 3 sekunder i standby-läge, ändrar den det senast inställda standby-läget (från Stand-by A till Stand-by B och lysdioden blinkar två gånger, eller i alternativ från Stand-by B till Stand-by A och lysdioden blinkar en gång).</p> <p>Stand-by A (ställa in standard på huven): om ingen tryckknapp för att styra fläkten är aktiv stängs ventilen och fläkten arbetar med hastighet 1.</p> <p>Stand-by B: om ingen tryckknapp för att styra fläkten är aktiv stängs ventilen och fläkten är av.</p> <p>Efter 60 minuter från aktivering av valfri kontrollknapp på fläkten ändras huven automatiskt till det aktuella Stand-by läget.</p>
	 Ljus på/av.
	<p>VL Med kort tryck på knappen ställer den in fläkten med hastighet 3 med stängd ventil; om funktionen redan är aktiv aktiveras aktuell stand-by läge.</p> <p>Om knappen på VL-tryckknappen trycks in längre än 3 sekunder i standby-läge, ändrar den det senast inställda standby-läget (från Stand-by A till Stand-by B och lysdioden blinkar två gånger, eller i alternativ från Stand-by B till Stand-by A och lysdioden blinkar en gång).</p>
	<p>1 Om knappen trycks utan att dess funktion är aktiverad, aktiveras fläkten vid hastighet 1 med öppen ventil.</p> <p>Om knappen redan är aktiverad aktiverar den stand-by läget.</p>
	<p>2 Om knappen trycks utan att dess funktion är aktiverad, aktiveras fläkten vid hastighet 2 med öppen ventil. Om knappen redan är aktiverad aktiverar den stand-by läget.</p>
	<p>3 Om knappen trycks utan att dess funktion är aktiverad, aktiveras fläkten vid hastighet 3 med öppen ventil.</p> <p>Om knappens funktion redan är aktiverad, aktiverar den stand-by</p>

	läget.
--	--------

När ventilen öppnas/stängs eller rör sig, avaktiveras motorn tillfälligt.

När funktionen som är kopplad till tryckknappen är aktiv lyser den aktuella lysdioden.

UNDERHÅLL



FETTFILTER

Fettfiltren i metall sitter i undersidan av kåpan och används för att samla upp eventuellt fett, som normalt följer med matoset. De kan rengöras antingen för hand eller i diskmaskin.

Om du rengör dem för hand, ska du använda varmt vatten och rengöringsmedel: borsta kraftigt flera gånger och skölj sen under rinnande vatten.

Efter diskning bör fettfiltren torkas och sen sättas tillbaka på rätt sätt.


Det kan hända att filtret efter rengöring ändrar färg något.

  Det rekommenderas att du rengör fettfiltren efter cirka 50-100 timmars användning av spishällen.

Om fettfiltret är särskilt smutsigt, kan motorn bara dra in en liten mängd luft och prestandan försämras därför.

Det fett som avlagras på smutsiga filter är lättantändligt och **kan orsaka eldsvåda**, om det inte avlägsnas genom regelbunden rengöring.


Tillverkaren avsäger sig allt ansvar för eldsvådor, som orsakats av dåligt underhåll av fettfiltren.

 Aktivera aldrig utsugning utan monterade fettfilter.

Företaget avsäger sig allt ansvar om ovanstående varningar inte observeras.

RENGÖRING

För att bibehålla spiskåpan i gott skick, ska den rengöras regelbundet enligt följande rekommendationer:

 Försäkra dig om att strömmen slagits av helt.

Den rekommenderade rengöringslösningen är en kombination av VATTEN och NEUTRALT FLYTANDE RENGÖRINGSMEDEL. Det är viktigt att det flytande rengöringsmedlet inte innehåller några korn som skulle kunna skrapa ytan.


Lösningen ska först anbringas på en mjuk trasa, som sen används för att torka av ytan. Det är viktigt att du följer den satinerade ytans mönster med trasan.

Det är absolut förbjudet att hälla vätskor direkt på spiskåpan.

Den använda trasan får inte ha några knappar, blixtlås, spännen eller något annat, som skulle kunna skrapa ytan.

Användning av slipande eller korniga produkter, bensin, sprit eller liknande produkter, som skulle kunna skada materialens yta, är strängt förbjudet.

Tillverkaren ansvarar inte för skador på spiskåpan's funktioner eller utseende, som orsakats av rengöring, som utförts med olämpliga produkter eller olämpliga medel.

 Under rengöring ska du inte passera över knapparna för att förhindra att kåpan slås på oavsiktligt.

OM DU STÖTER PÅ PROBLEM

Koppla bort spiskåpan från elförsörjningen och låt den vara bortkopplad i cirka 1 minut, anslut den sen igen.

Om utsugningsförmågan minskat, kontrollera att rengöringsintervall för fettfiltren observerats.

Kontrollera även att inga främmande föremål sugits upp av misstag (som t.ex. rengöringstrasor) och om de befinner sig i kanalen, kontrollera att kanalanslutningarna inte skadats.

MÄRKNING ENLIGT DET EUROPEISKA DIREKTIVET



Denna apparat har märkts i överensstämmelse med det Europeiska Direktivet 2002/96/EG vad beträffar Elektriskt och Elektroniskt Avfall (WEEE). Denna förordning utgör ramverket för giltighet i hela Europa vad beträffar bortskaffande och återvinning av Elektrisk och Elektronisk Avfall.

Symbolen på produkten, eller på dess förpackning, anger att produkten inte får behandlas som hushållsavfall. Den ska i stället lämnas till tillämpligt uppsamlingsställe för återvinning av elektrisk och elektronisk utrustning.

Genom att försäkra dig om att produkten bortskaffas på korrekt sätt, hjälper du till att förebygga potentiellt negativa konsekvenser för miljö och personers

hälsa, som annars skulle kunna orsakas av olämplig avfallshantering av denna produkt. Vänligen kontakta ditt lokala kontor, din avfallshanteringservice eller den butik där du köpt produkten.

TEKNISK SUPPORT

Om något tekniskt problem skulle uppstå, kontakta RørosHetta.

post@roroshetta.no

TÄRKEITÄ TURVALLISUUSTIETOJA

Lue nämä ohjeet huolellisesti. Vasta sen jälkeen voit käyttää hankkimaasi laitetta turvallisesti ja oikein. Säilytä ohjekirjaa ja asennusohjeita tulevaa käyttöä tai seuraavia omistajia varten.

Laitteen käyttö on turvallista jos se asennetaan oikein turvaohjeiden mukaan. Asentaja on vastuussa siitä, että laitteen täydellinen toiminta asennuspaikassa varmistetaan.

Tämä laite on tarkoitettu kotitalouskäyttöön ja pelkästään kotitalousympäristössä. Laitetta ei ole tarkoitettu ulkokäyttöön. Älä jätä laitetta ilman valvontaa toiminnan aikana. Valmistaja ei vastaa vahingosta, joka johtuu laitteen epäasianmukaisesti tai väärästä käytöstä.

Laitetta saavat käyttää yli 8-vuotiaat lapset, fyysisesti ja henkisesti rajoittuneet henkilöt sekä henkilöt joilla ei ole kokemusta tai tuntemusta sen käyttöön liittyen jos heidän toimintaansa valvovat aikuiset henkilöt tai jos heitä on opastettu laitteen turvalliseen käyttöön ja he ovat ymmärtäneet sen käyttöön liittyvät vaarat.

Lapset eivät saa leikkiä laitteella, laitteen päällä tai sen ympärillä. Lapset eivät saa puhdistaa laitetta tai suorittaa yleisiä huoltotoimenpiteitä elleivät he ole vähintään 8-vuotta vanhoja ja ellei heitä valvota.

Pidä alle 8-vuotiaita lapsia turvaetäisyydellä laitteesta ja virtajohdosta.

Tarkista laite vahingon varalta kun se on purettu. Älä liitä laitetta jos se on vahingoittunut kuljetuksen aikana.

Vain luvan saaneet ammattikäyttäjät voivat liittää laitteita ilman pistokkeita. Takuu ei kata vahinkoja, jotka syntyvät väärästä liitännästä.

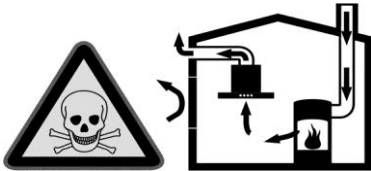
Tukehtumisvaara!

Pakkausmateriaalit ovat vaarallisia lapsille. Älä koskaan anna lasten leikkiä pakkausmateriaalilla.

Kuolemanvaara!

Savukaasuista syntyvä myrkyttymisvaara, jotka vedetään takaisin sisään.

Varmista aina, että huoneessa on riittävästi raikasta ilmaa samalla kun ilmasta riippuvaa lämpöä tuottavaa laitetta käytetään huoneessa.



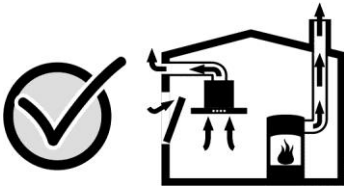
Huoneilmasta riippuvat lämpöä tuottavat laitteet (esim. kaasu, öljy, puu tai hiilikäyttöiset lämmittimet) saavat palamisilman huoneesta johon ne on asennettu ja poistavat pakokaasut ulkoilmaan poistokaasujärjestelmän kautta (esim. piippu).

Yhdistettynä päällä olevaan höyrynpoistokupuun, huoneilmaa poistetaan keittiöstä ja viereisistä huoneista - osittainen imu saadaan jos raikasta ilmaa ei toimiteta riittävästi. Piipusta tai poistokuilusta saapuvat myrkylliset kaasut imetään takaisin asuintilaan.

- Näin ollen sopiva tuloilma on aina taattava.
- Tulevan/poistoilman seinälaatikko itsenään ei takaa yhdenmukaisuutta rajan kanssa.

Turvallinen käyttö on mahdollista vain, jos osittainen tyhjiö lämmöntuotantolaitteen asennuspaikassa on enintään 4 Pa (0,04 mbar). Tämä voidaan saavuttaa, kun palamiseen

tarvittava ilma pääsee sisään aukkojen kautta, joita ei voida sulkea, esimerkiksi oviin, ikkunoihin, tulo-/poistoilmaseinäkoteloihin tai muulla teknisellä tavalla.



Joka tapauksessa käänny vastaavan nuohoojan puoleen. Hän kykenee arvioimaan talon koko ilmanvaihtoasetuksen ja neuvoo sinua sopivan ilmavaihtomenetelmän valinnassa.

Tulipalon vaara!

- Rasvasuodattimeen syntyneet rasvajäämät voivat saada aikaan tulipalon.

Puhdista rasvasuodatin vähintään 2 kuukauden välein.

Älä koskaan käytä laitetta ilman rasvasuodatinta.
Tulipalon vaara!

- Rasvasuodattimeen syntyneet rasvajäämät voivat saada aikaan tulipalon. Älä koskaan työskentele käyttämällä avotulta laitteen lähellä (esim. liekitys). Älä asenna laitetta lähelle kiinteää polttoainetta (esim. puu tai hiili) käyttävää lämmöntuotantolaitetta, ellei paikalla ole suljettua, avaamatonta kantta. Lentäviä kipinöitä ei saa esiintyä.
- Kuuma öljy ja rasva voivat syttyä palamaan erittäin nopeasti. Älä jätä kuumaa rasvaa tai öljyä valvomatta. Älä käytä vettä palavan öljyn tai rasvan sammuttamiseen. Sammuta keittolevy. Sammuta liekit huolella käyttämällä kantta, sammutuspeitettä tai vastaavaa.

Palovammojen vaara!

Kosketuspinnat tulevat erittäin kuumiksi niiden toiminnan aikana. Älä koskaan kosketa kuumia osia. Pidä lapsia turvaetäisyydellä.

Loukkaantumisvaara!

Laitteen sisällä olevissa osissa voi olla teräviä kulmia. Käytä suojakäsineitä. Loukkaantumisvaara!

Sähköiskun vaara!

- Viallinen laite voi aiheuttaa sähköiskun. Älä koskaan laita päälle viallista laitetta. Kytke laite irti verkkovirrasta tai sammuta sulakerasiassa oleva katkaisija. Ota yhteys myyminjälkeiseen palveluun.
- Väärin tehdyt korjaukset ovat vaarallisia. Vain koulutettu myyminjälkeisen palvelun teknikko saa suorittaa korjaustoimenpiteet ja vaihtaa vahingoittuneet virtajohdot. Jos laitteessa esiintyy vika, kytke se irti verkkovirrasta tai sammuta sulakerasiassa oleva katkaisija. Ota yhteys myyminjälkeiseen palveluun.
- Älä käytä korkeapainepesureita tai höyrypesureita, jotka voivat saada aikaan sähköiskun.

YMPÄRISTÖNSUOJELU

Hankkimasi uusi laite on erittäin energiatehokas. Tästä löydät neuvoja miten voit säästää energiaa entistä enemmän kun käytät laitetta.

ENERGIANSÄÄSTÖ

- Jos ruokakäryt ovat jo levinneet keittiöön, liesituuletinta tulee käyttää pidempään.
- Sammuta liesituuletin jos sen käyttöä ei enää vaadita.
- Sammuta valaistus jos sitä ei enää vaadita.
- Puhdista ja vaihda suodatin säännöllisin väliajoin, jotta ilmanvaihtojärjestelmän tehokkuutta voitaisiin lisätä ja tulipalon syntymiseen liittyvää vaaraa voitaisiin ennaltaehkäistä.

ASENNUSOHJEET

Asenna liesituuletin kuvassa osoitetulla tavalla.

Liitä kuvassa 9 näytetty pistoke paineen pm:n mittaamiseksi.

Paineen pm:n mittaamisen ja venttiilin asennon kautta on mahdollista määrittää poistoilman määrä: graafisessa esityksessä F1-F6 (pakotettu ilmanvaihto) ja graafisessa esityksessä G1-G6 (perusilmanvaihto).

Liesituuletin on painava ja sen siirtämiseen vaaditaan 2 henkilöä.

Liesituulettimen asennuksen aikana käytä aina käsineitä onnettomuuksien syntymisen estämiseksi.

Valmistaja suosittelee ehdottomasti välttämään supistimien tai hormien käyttöä, joiden halkaisija poikkeaa liesituulettimen poistoputken halkaisijasta.

Hormin loppuosa seinässä olevan aukon ulkopuolella on oltava muodoltaan sellainen, että sadetta, tuulenpuuskia tai muiden vieraiden osien pääsyä hormiin voitaisiin välttää.

ILMAVIRTAUKSEN SÄÄTÖ

Pakotettu ilmanvaihto:

- Kierrä ruuvia vastapäivään 360° (kuva 10 kohta1).
- Siirrä levy (kuva 10 kohta 2) haluttuun asentoon, joka vastaa vuokaaviota, joka näytetään kuvan F graafisessa esityksessä.
- Käännä ruuvia myötäpäivään, kunnes se on kiinni (kuva 10 kohta 3),
- Mittaa paineen pm tarkistaaksesi, että halutun pakotetun ilmanvaihdon arvo saadaan viittaamalla kuvassa F olevaan kaavioon.

Perusilmanvaihto (jos suositellaan):

- Irrota ruuvi (kuva 11 kohta1).
- irrota paikalla oleva venttiililevy (kuva 11 kohta 2).
- Laita toimitettu levy kaarevalla puolella (kuva 12 kohta 3).
- Siirrä levy kaarevalla puolella (kuva 13 kohta 4) haluttuun asentoon, joka vastaa vuokaaviota, joka näytetään kuvan G graafisessa esityksessä.
- Aseta ruuvi kääntämällä sitä myötäpäivään, kunnes se kiinnittyy. (kuva 13 kohta 5)
- Mittaa paineen pm tarkistaaksesi, että halutun perusilmanvaihdon arvo saadaan viittaamalla kuvassa G olevaan kaavioon.

ENNEN SÄHKÖASENNUSTA

Ennen liitintään ryhtymistä:

- tarkista, että osoitetut sähkö tiedot ovat yhdenmukaisia rakennuksen pääjännite- ja -taajuusarvojen kanssa johon liesituuletin asennetaan
- tarkista, että rakennuksessa on sähköturvajärjestelmät, jotka suojaavat oikosulkuja vastaan ja sähköiskujärjestelmät, paikallisten voimassa olevien lakien mukaan
- asenna sähköpistoke (tai liitintäkohta) kaksinapaisella kytkimellä, jonka erotusvälin on oltava vähintään 3 mm
- jos haluat asentaa liesituulettimen jossa pistoke, pistokkeeseen on päästävä
- laita verkkojännite aina pois päältä kaksinapaista kytkintä käyttämällä ennen liittämistä ja laita se uudelleen päälle vasta sitten kun liitännät on suoritettu, testattu ja ne ovat turvalliset.

SÄHKÖLIITÄNTÄ

VAROITUS 

Sähköliitäntä voidaan suorittaa vain pätevän ammattihenkilöstön toimesta käyttämällä vakiomateriaalia ja -asennusmenetelmiä. Valmistaja ei ota vastuuta asennuksista, jotka on suoritettu kouluttamattomien henkilöiden toimesta ja asennuksista, jotka eivät ole sähköturvallisuutta koskevien standardinormien mukaisia (sekä menetelmiin että materiaaleihin liittyen).

SÄHKÖTEKNISEET TIEDOT

Sähkötekniset tiedot näkyvät liesituulettimen sisällä kun rasvasuodattimet on irrotettu.

LIITTÄMINEN VERKKOVIRTAAN

Toimitettu joustava virtajohto on jo liitetty sisäisesti ja näkyy liesituulettimesta lähellä ilmanpoistoaukkoa.



On mahdollista tehdä kaksi sähköasennustyyppiä:

- kiinteä asennus
- asennus pistorasiassa olevan pistokkeen kautta
- jos ulkoinen laite on liitetty, se ei saa ylittää 300 VA 230 V:ssa

NOUDATETTAVAT VAROTOIMENPITEET JOS KORJAUSTOIMENPITEET ON SUORITETTAVA

Korjaustoimenpiteet, mukaan lukien tarvittaessa virtakaapelin vaihto, on suoritettava pätevän henkilöstön toimesta käyttämällä vakio menetelmiä, välineitä ja materiaaleja. Muiden henkilöiden suorittamat korjaustoimenpiteet voivat olla vaarallisia ja saada aikaan tulipalovaaran.

TOIMINTA JA KÄYTTÖ

 VL 1 2 3	Stand-by Voimme asettaa 2 erilaista valmiustilaa painamalla pitkään VL-painiketta. Jos VL-painikkeen painiketta painetaan valmiustilassa yli 3 sekunnin ajan, se muuttuu viimeksi asetettua valmiustilaa (valmiustilasta A valmiustilaan B ja led vilkkuu kahdesti tai vaihtoehto valmiustilasta B valmiustilaan A ja led vilkkuu kerran). Valmiustila A (vakiovaruste hupulle): jos puhaltimen ohjaamiseksi ei ole painonappia, venttiili on kiinni ja puhallin toimii nopeudella 1. Valmiustila B: jos puhaltimen ohjaamiseksi ei ole painikkeita, venttiili on kiinni ja puhallin on pois päältä. 60 minuutin kuluttua puhaltimen minkä tahansa ohjauspainikkeen aktivoinnista, huppu vaihtuu automaattisesti nykyiseen valmiustilaan.
	 Valo päällä/pois päältä.
	VL Lyhyellä painikkeen painalluksella se asettaa tuulettimen nopeudella 3 venttiilin ollessa kiinni; jos toiminto on jo aktiivinen, nykyinen valmiustila aktivoituu. Jos painiketta painetaan yli 3 sekunnin ajan valmiustilassa, se muuttuu viimeksi asetettua valmiustilaa (Valmiustilasta A Valmiustilaan B ja led vilkkuu kahdesti tai vaihtoehtoisesti Valmiustilasta B valmiustilaan A ja led vilkkuu kerran).

1	Jos painiketta painetaan ilman, että sen toiminto on aktivoitu, puhallin aktivoituu nopeudella 1, kun venttiili on auki. Jos painikkeen toiminto on jo aktivoitu, se aktivoi valmiustilan.
2	Jos painiketta painetaan ilman, että sen toiminto on aktivoitu, puhallin aktivoituu nopeudella 2, kun venttiili on auki. Jos painikkeen toiminto on jo aktivoitu, se aktivoi valmiustilan.
3	Jos painiketta painetaan ilman, että sen toiminto on aktivoitu, puhallin aktivoituu nopeudella 3, kun venttiili on auki. Jos painikkeen toiminto on jo aktivoitu, se aktivoi valmiustilan.

Kun venttiili avautuu/sulkeutuu tai liikkuu, moottori sammutetaan hetkellisesti.
Kun painikkeeseen liittyvä toiminto on aktiivinen, kyseinen merkkivalo on päällä.

HUOLTO



RASVASUODATTIMET

Metalliset rasvasuodattimet on sijoitettu liesituulettimen pohjalle ja niitä käytetään rasvan säilyttämiseen, jotka syntyvät normaalisti ruoanlaittohöyryjen mukana estäen näin moottorin heikentymistä. Ne voidaan pestä joko käsin tai astianpesukoneessa.

Käsinpesua varten, käytä kuumaa vettä ja saippuaa. Pesu voidaan tehdä käsin harjaamalla voimakkaasti useaan kertaan ja huuhtelemalla sitten hanaveden alla.

Pesun jälkeen, rasvasuodattimet tulee kuivata ja asentaa takaisin oikein.

Suodattimen pesun jälkeen siinä voi esiintyä kevyt värimuutos.

  On suositeltavaa pestä rasvasuodattimet noin 50-100 käyttötunnin välein.

Jos rasvasuodattimet ovat erittäin likaisia, moottori voi ottaa vain pienen määrän ilmaa, ja suorituskyky vähenee.

Rasva, joka kerääntyy likaisiin suodattimiin on helposti syttyvää ja voi aiheuttaa tulipaloja, jos sitä ei poisteta säännöllisesti suoritettavilla pesuilla.


Valmistaja ei ota vastuuta tulipaloista, jotka syntyvät rasvasuodattimien huonosta huollosta.

 Älä koskaan aktivoi imua ellei rasvasuodattimia ole asennettu.

Yritys ei ota vastuuta jos edellä mainittuja varoituksia ei noudateta.

PUHDISTUS

Säilyttääksesi liesituulettimen hyvässä kunnossa, pese se säännöllisesti noudattamalla seuraavassa annettuja ohjeita.

 Varmista, että virta on sammutettu kokonaan.

Suosittelu pesuaine on VEDEN ja NEUTRAALIN NESTEMÄISEN SAIPPUAN yhdistelmä. On erittäin tärkeää, että nestesaippuassa ei ole rakeita, jotka voivat naarmuttaa pintaa.


Liusta tulee laittaa ensiksi pehmeään liinaan, jota hierotaan kuoren päälle. On tärkeää noudattaa sateinviimeistelyn muotoa liinalla.

On ehdottomasti kiellettyä kaataa nesteitä suoraan liesituulettimen päälle.

Liinassa ei saa olla painikkeita, vetoketjuja, kiinnikkeitä tai muita, jotka voivat naarmuttaa pintaa.

Voimakkaiden hankaavien tai raemaisten tuotteiden, bensiinin, sprin tai vastaavien tuotteiden käyttö, jotka voivat vahingoittaa materiaalin pintaa, on ankarasti kielletty.

Valmistajaa ei pidetä vastuussa joko toiminnallisista tai liesituulettimen pintaa koskevista vahingoista, jotka johtuvat puhdistustoimenpiteistä käyttämällä sopimattomia tuotteita tai menetelmiä.

 Puhdistuksen aikana älä käytä näppäimiä liikaa välttääksesi tahattoman käynnistymisen.

JOS ONGELMA SYNTYY

Kytke liesituuletin irti verkkovirrasta ja pidä sitä kytkettynä irti noin 1 minuutin jonka jälkeen kytke se takaisin.

Jos imuteho on vähentynyt, tarkista että rasvasuodattimen puhdistusjaksoja on noudatettu.

Tarkista myös ettei vieraita esineitä ole imetty vahingossa (kuten esimerkiksi puhdistusliinat) ja jos ne ovat kanavassa tarkista, että kanavan kiinnikkeet eivät ole vahingoittuneet.

MERKINTÄ EUROOPPALAISEN DIREKTIIVIN MUKAAN



Tämä laite on sähkö- ja elektroniikkaromua (WEEE) koskevan Euroopan neuvoston direktiivin 2002/06/EY mukainen. Tämä normi on kehys Euroopan laajuudella voimassa olevaa sähkö- ja elektroniikkalaiteromua koskevalle palautukselle ja kierrätykselle.

Tämä tuotteeseen tai pakkaukseen kiinnitetty merkintä osoittaa, että tuotetta ei saa hävittää kotitalousjätteen mukana. Tuote on toimitettava asianmukaiseen sähkö- ja elektroniikkalaitteiden keräyspisteeseen kierrätystä varten. Varmistamalla tämän tuotteen oikean hävittämisen ehkäiset ympäristölle ja ihmisille mahdollisesta epäasianmukaisesta käsittelystä aiheutuvia haittoja,

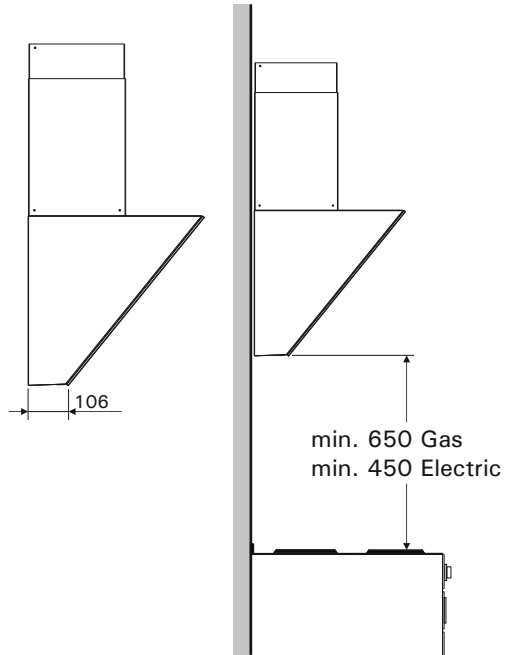
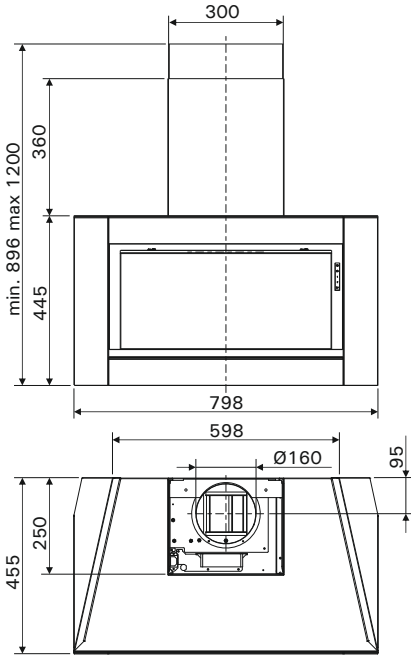
jotka voivat syntyä jos tätä tuotetta käsitellään epäasianmukaisella tavalla. Tarkempia tietoja tämän tuotteen käsittelystä, keräämisestä ja kierrättämisestä saat paikallisilta viranomaisilta, jätehuoltolaitoksesta tai tuotteen ostopaikasta.

TEKNINEN HUOLTO

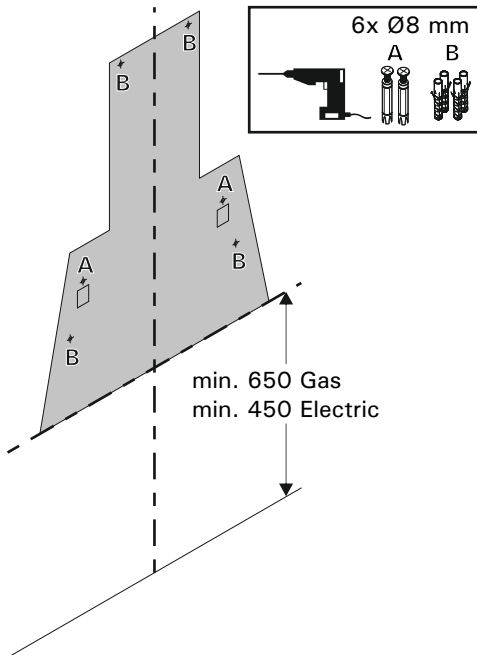
Jos tekninen ongelma syntyy, ota yhteys RørosHettaan.

post@roroshetta.no

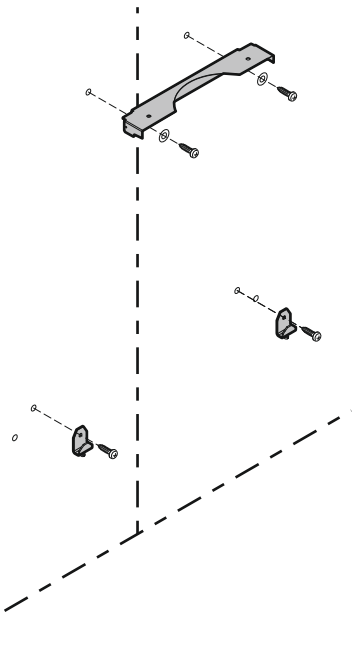
1 ▾



2 ▾

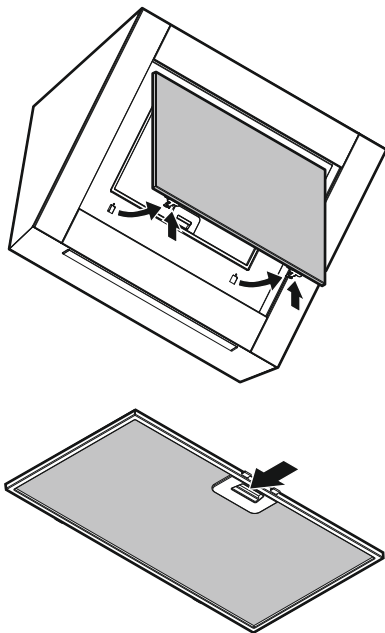
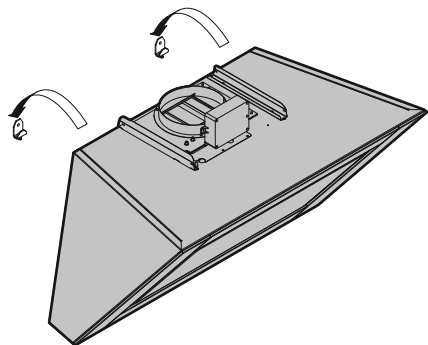


3 ▾



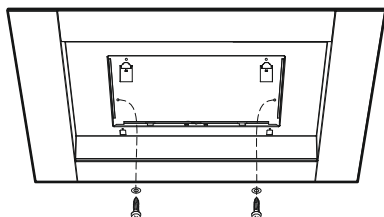
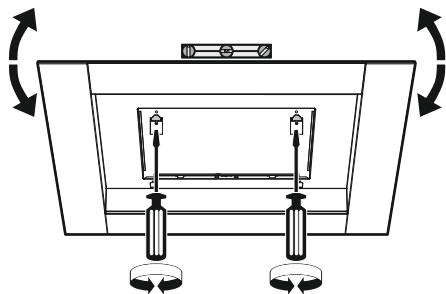
4 ▼

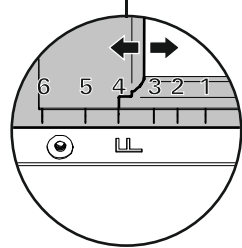
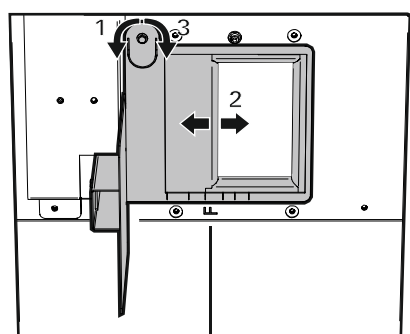
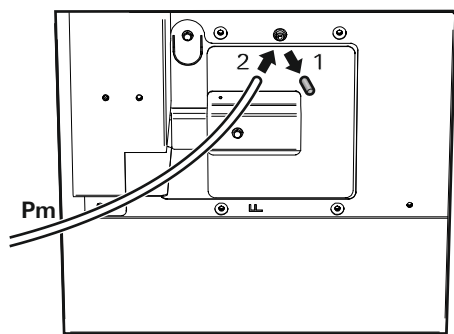
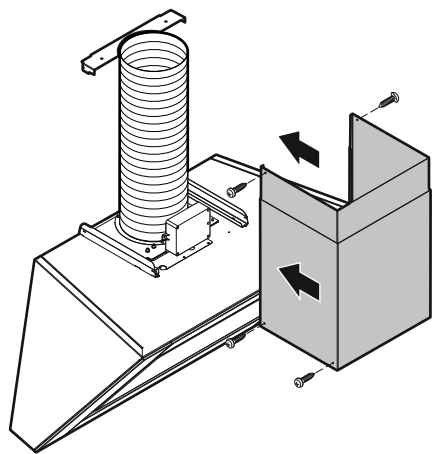
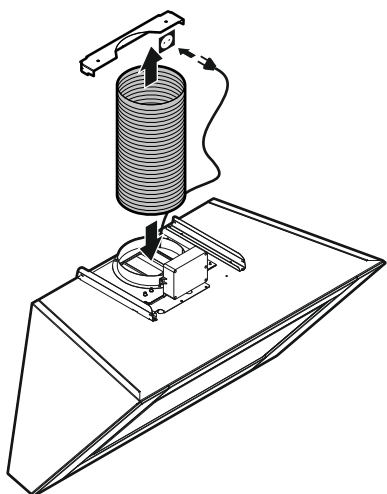
5 ▼

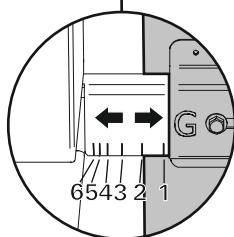
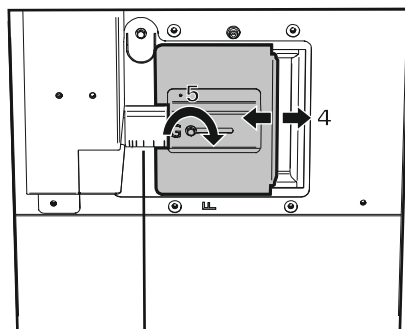
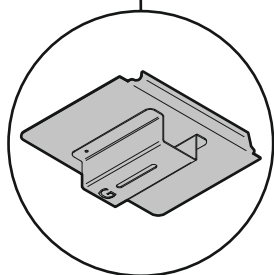
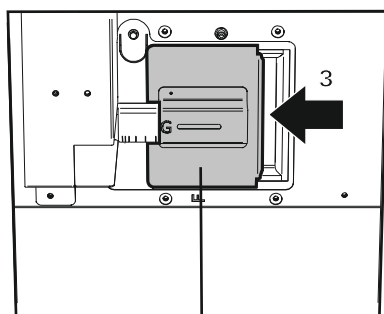
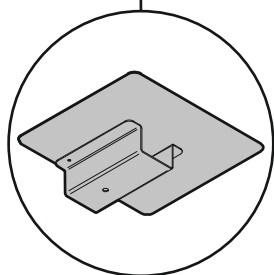
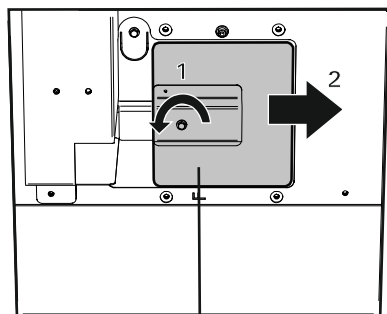


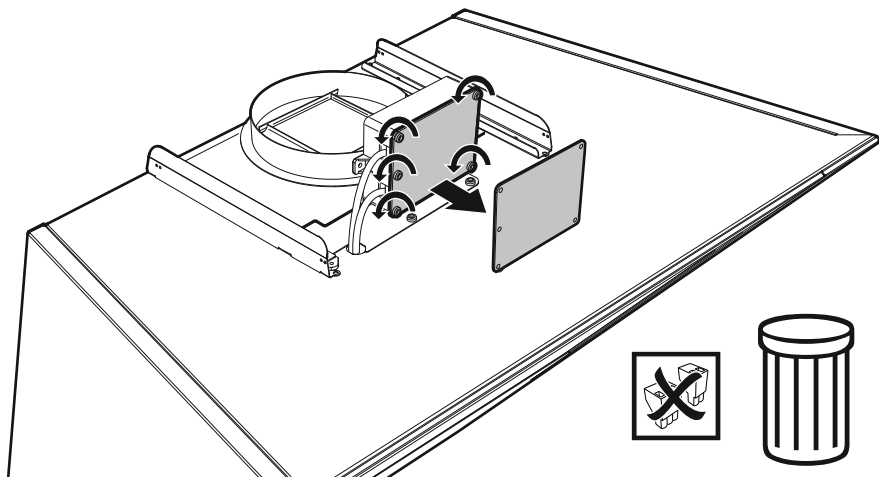
6 ▼

7 ▼

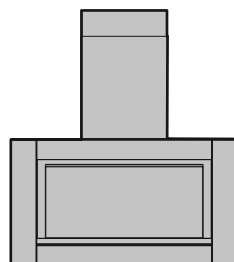
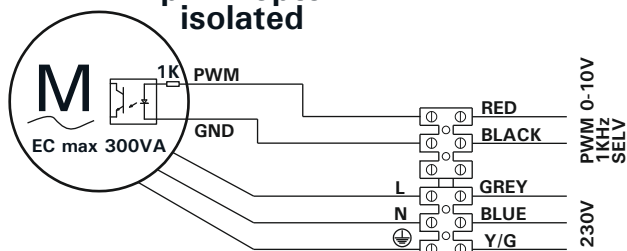


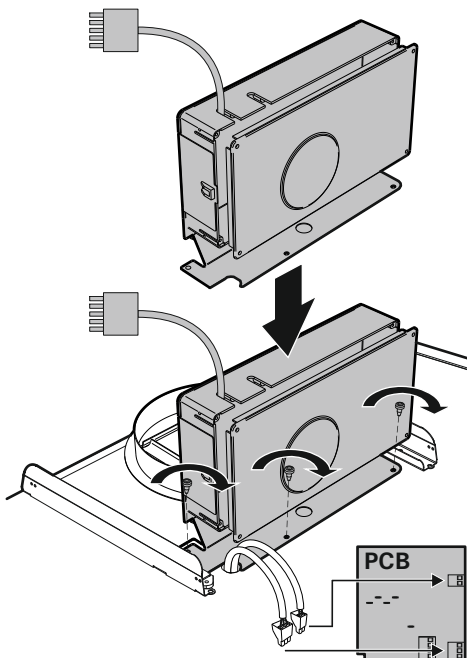
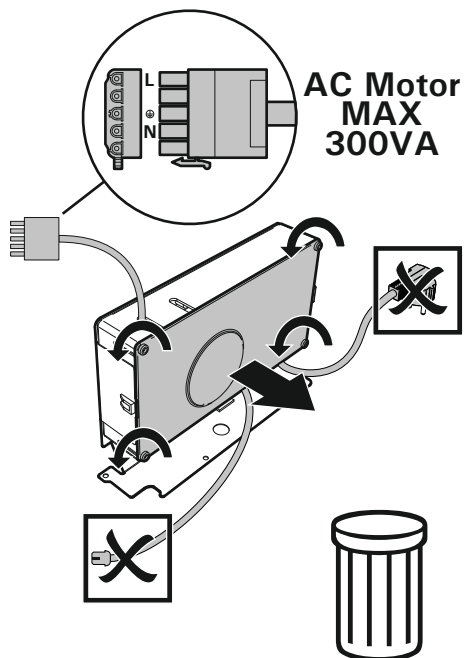
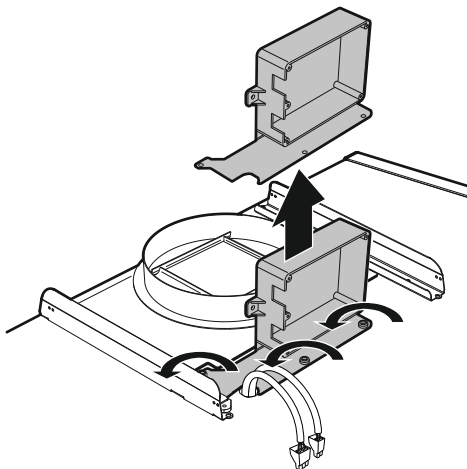
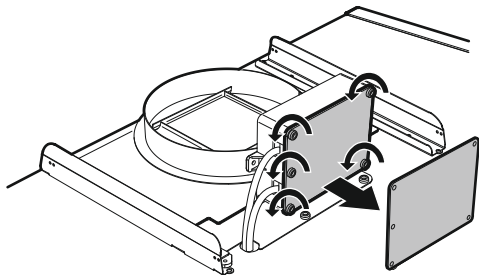


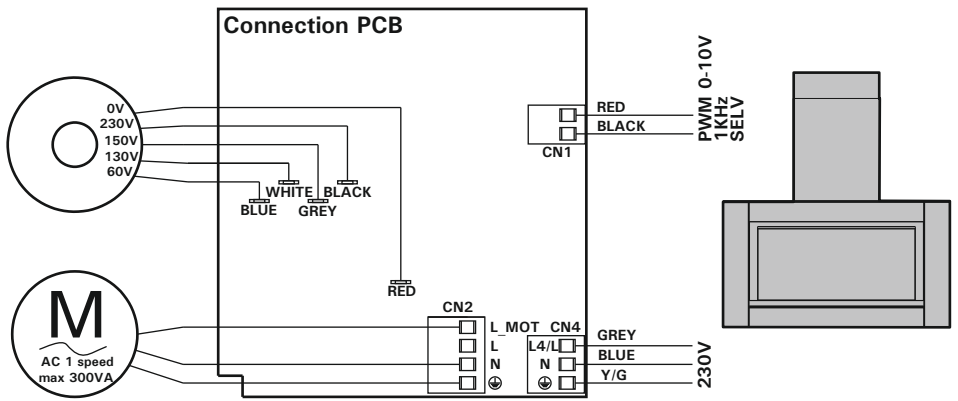




**Motor with
pwm opto
isolated**







FORCED VENTILATION
Adjustment diagram

FORSERT VENTILASJON
Innjusteringsdiagram

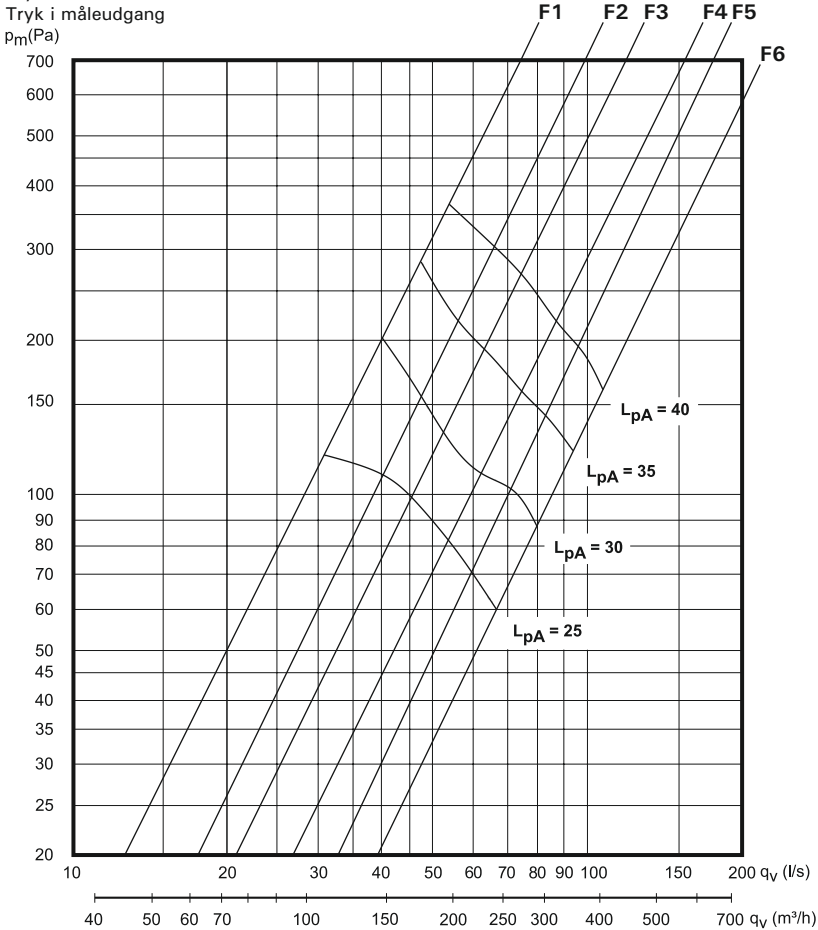
FORCERET VENTILATION
Indreguleringsdiagram

FORCERINGSFLÖDE
Injusteringsdiagram

PAKOTETTU ILMANVAIHTO
Säätökaavio

Pressure in measuring point
Trykk i måleuttak
Tryk i måleudgang
 p_m (Pa)

Tryk i mätuttag
Paine mittauskohdassa



L_{pW}

Relative A-weighted sound power level 1 pW
Relativt A-veid lydeffektnivå 1 pW
A vejet lydtryksniveau relativt 1 pW

Den A-vägdga ljudeffektnivån relativt 1 pW
Suhteellinen A-painotettu äänitehotaso 1 pW

L_{pA}

The A-weighted sound pressure level at 10 m² Sabin
A-veid lydtrykknivå ved 10 m² Sabin
A vejet lydtryksniveau ved 10 m² Sabin

Den A-vägdga ljudtrycksnivån vid 10 m² Sabin
A-painotettu äänitehotaso 10 m² Sabin

BASIC VENTILATION

Adjustment diagram

GRUNNVENTILASJON

Innjusteringsdiagram

GRUNDVENTILATION

Indreguleringsdiagram

GRUNDFLÖDE

Innjusteringsdiagram

PERUSILMANVAIHTO

Säätökaavio

Pressure in measuring point

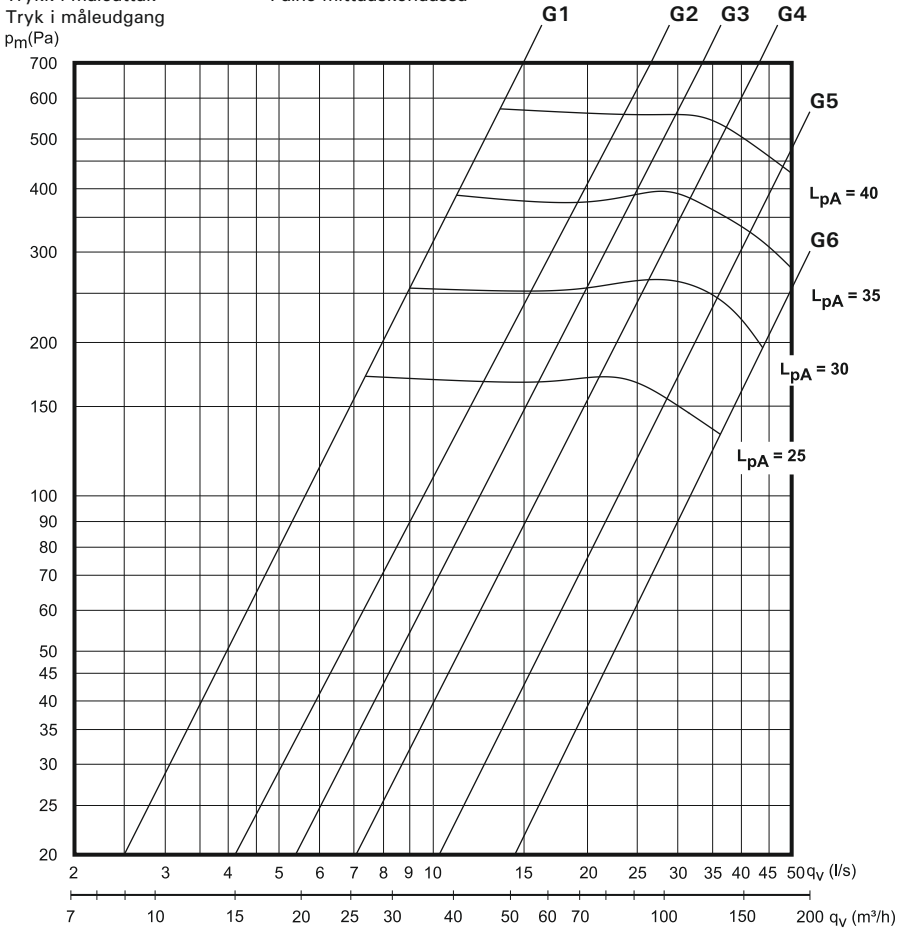
Trykk i måleuttak

Tryk i måleudgang

p_m (Pa)

Tryk i mätuttag

Paine mittauskohdassa



L_{pW}

Relative A-weighted sound power level 1pW

Relativt A-veid lydeffektnivå 1pW

A vejet lydtryksniveau relativt 1 pW

Den A-vägda ljudeffektnivån relativt 1 pW

Suhteellinen A-painotettu äänitehotaso 1 pW

L_{pA}

The A-weighted sound pressure level at 10 m² Sabin

A-veid lydtrykknivå ved 10 m² Sabin

A vejet lydtryksniveau ved 10 m² Sabin

Den A-vägda ljudtrycksnivån vid 10 m² Sabin

A-painotettu äänitehotaso 10 m² Sabin

FORCED VENTILATION
Sizing diagram

FORCERET VENTILASJON
Dimensjoneringsdiagram

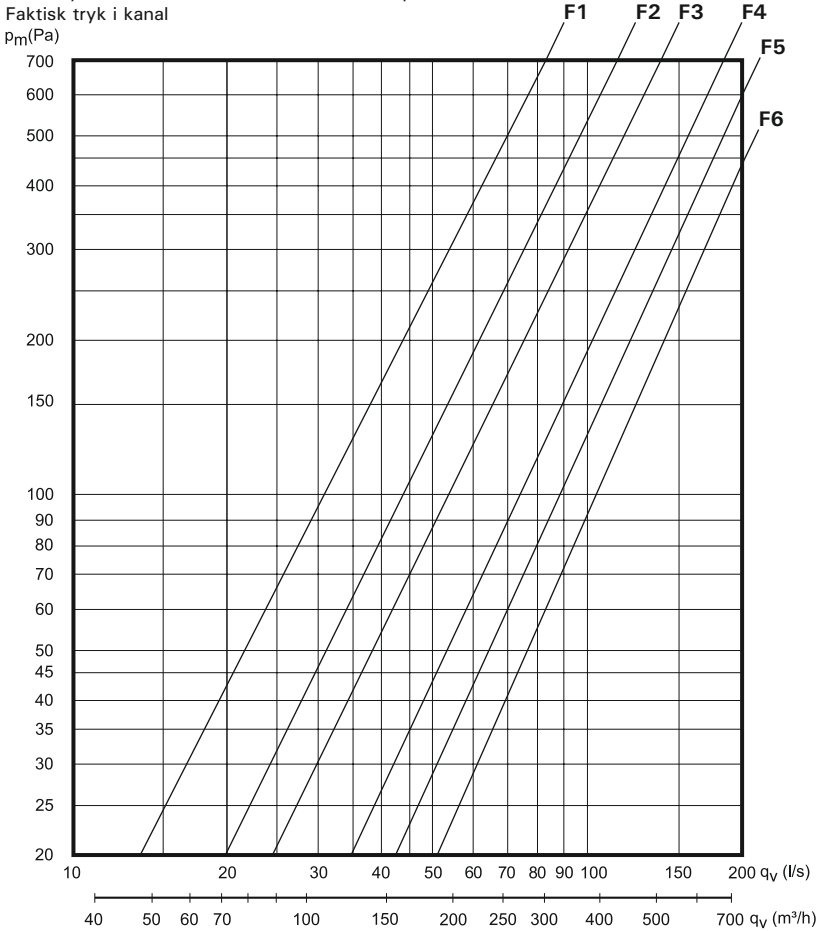
FORCERET VENTILATION
Dimensjoneringsdiagram

FORCERINGSFLÖDE
Dimensjoneringsdiagram

PAKOTETTU ILMANVAIHTO
Mitoituskaavio

Real pipeline pressure
Reelt trykk i kanal
Faktisk tryk i kanal
 p_m (Pa)

Verkligt tryk i kanal
Putkiston reaalipaine



BASIC VENTILATION

Sizing diagram

GRUNNVENTILASJON

Dimensjoneringsdiagram

GRUNDVENTILATION

Dimensioneringsdiagram

GRUNDFLÖDE

Dimensjoneringsdiagram

PERUSILMANVAIHTO

Mitoituskaavio

Real pipeline pressure
Reelt trykk i kanal
Faktisk tryk i kanal

p_m (Pa)

Verkligt tryk i kanal
Putkiston reaalipaine

