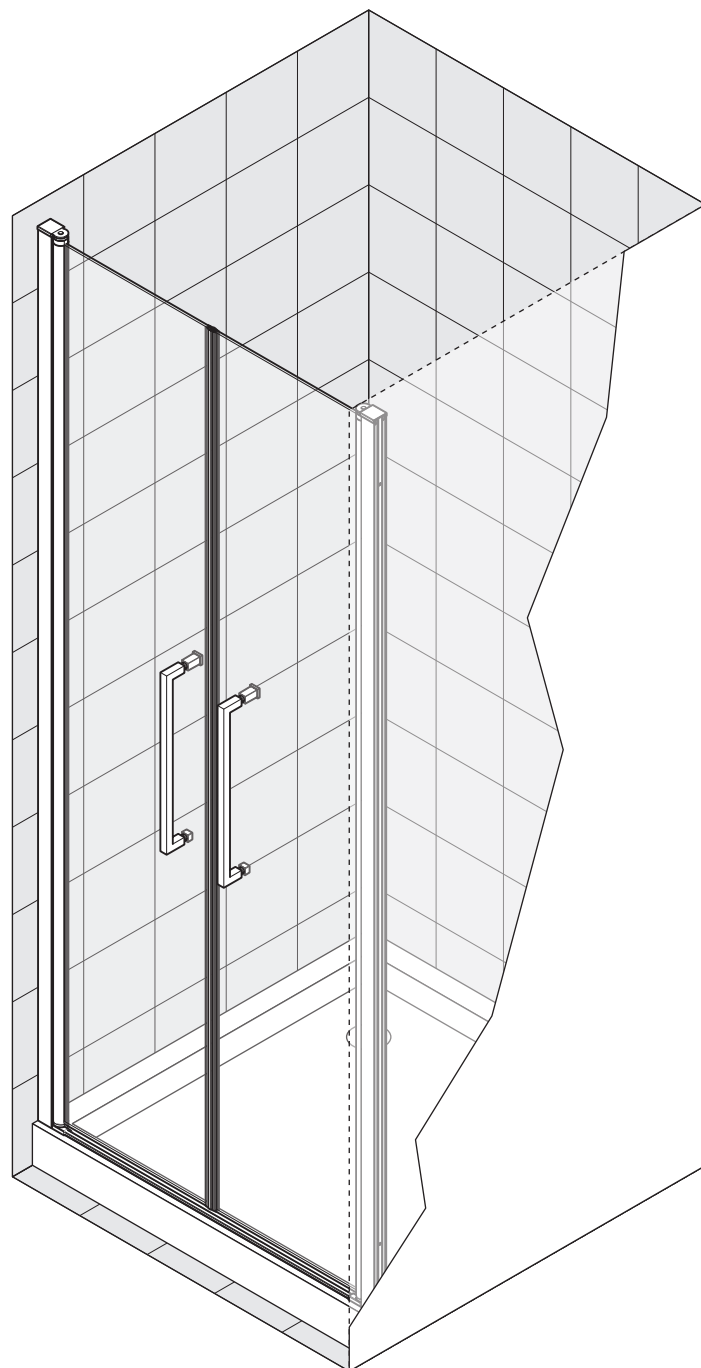
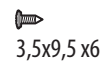
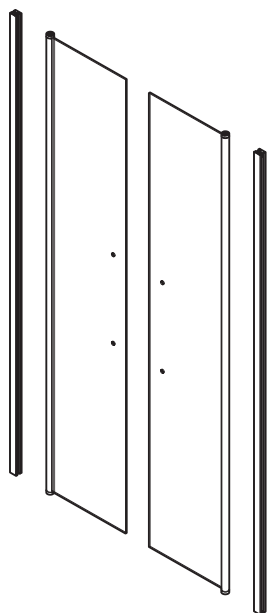
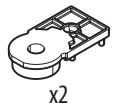
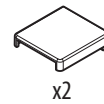
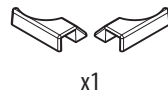
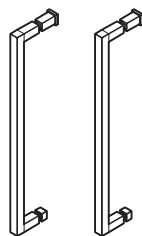
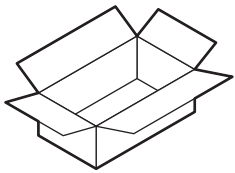
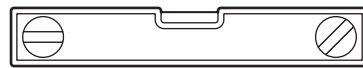
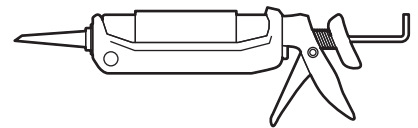
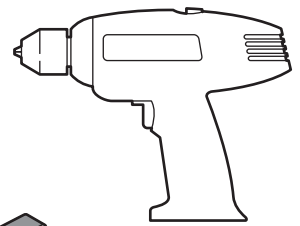
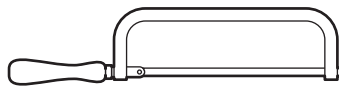
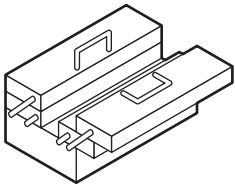


2B

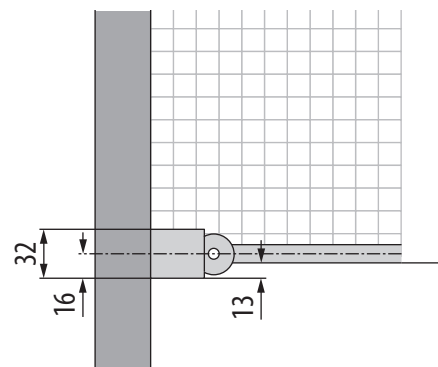
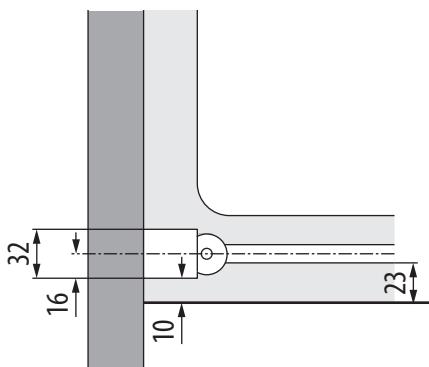
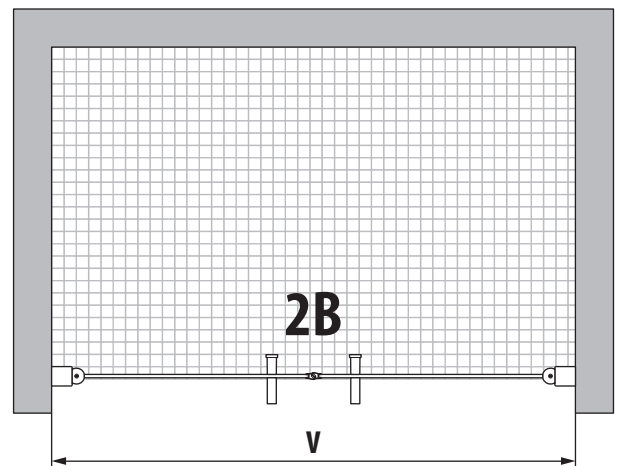
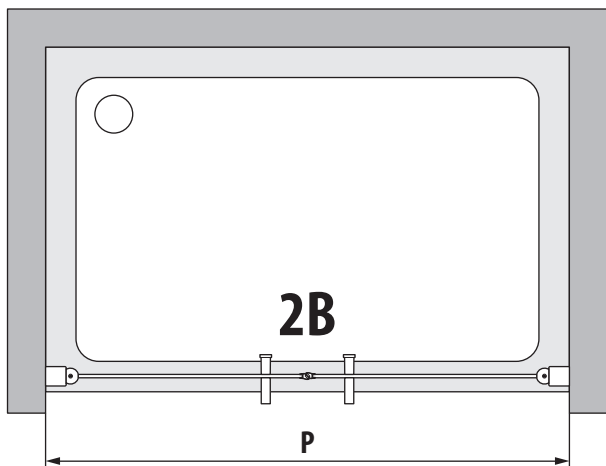


| | |
|-------------------------|-------------------------|
| <hr/> <hr/> <hr/> <hr/> | <hr/> <hr/> <hr/> <hr/> |
|-------------------------|-------------------------|

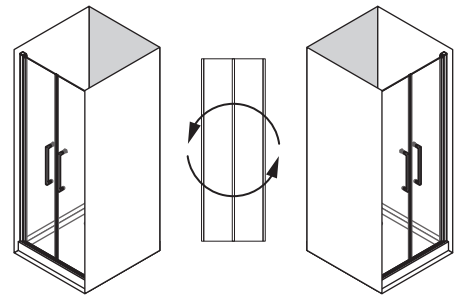
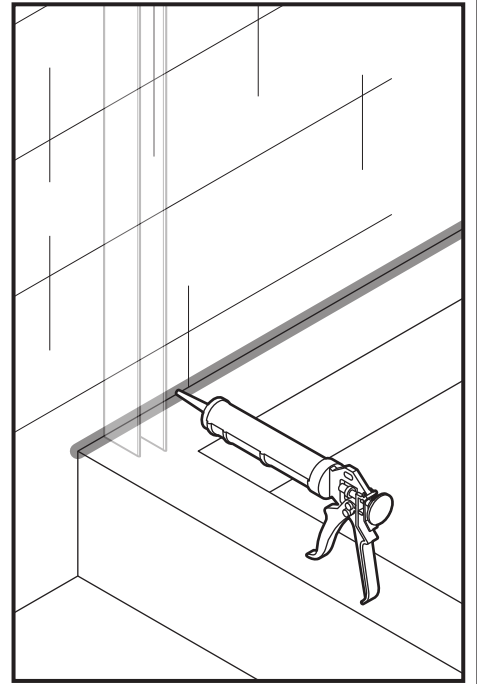
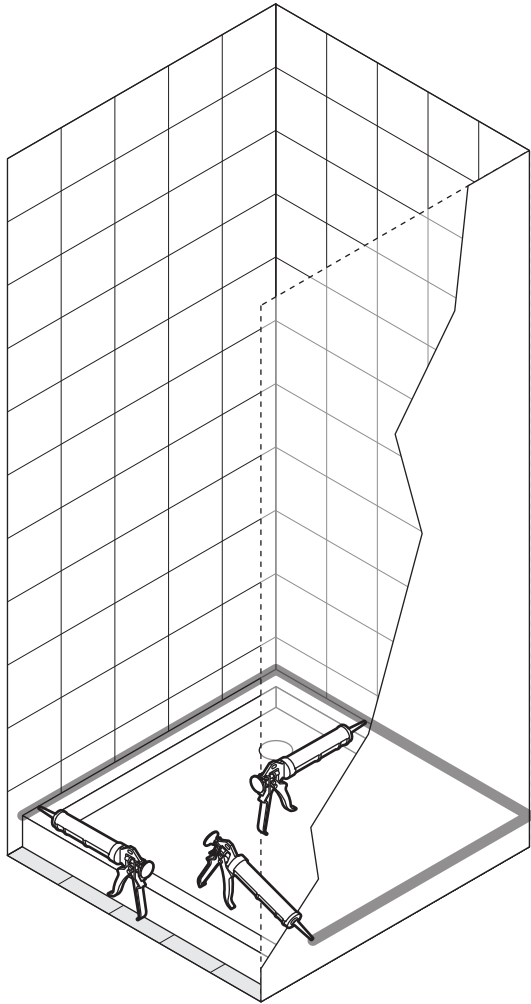


| 2B | P mm |
|-----|-----------|
| 57 | 570-610 |
| 63 | 630-670 |
| 67 | 670-710 |
| 71 | 710-750 |
| 73 | 730-770 |
| 77 | 770-810 |
| 83 | 830-870 |
| 87 | 870-910 |
| 93 | 930-970 |
| 97 | 970-1010 |
| 103 | 1030-1070 |
| 107 | 1070-1110 |
| 113 | 1130-1170 |
| 117 | 1170-1210 |
| 137 | 1370-1410 |
| 147 | 1470-1510 |
| 157 | 1570-1610 |
| 167 | 1670-1710 |
| 177 | 1770-1810 |

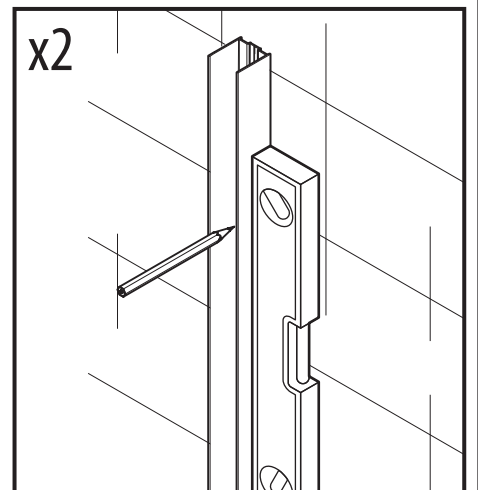
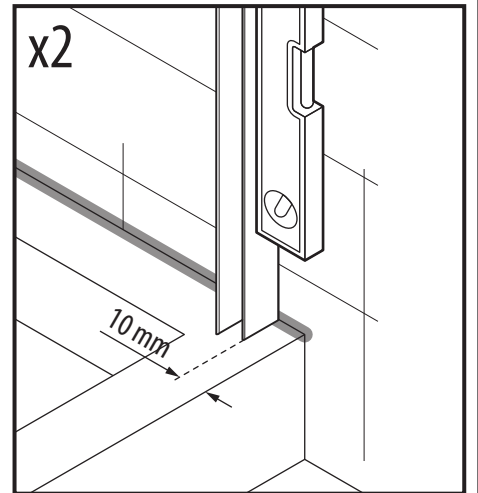
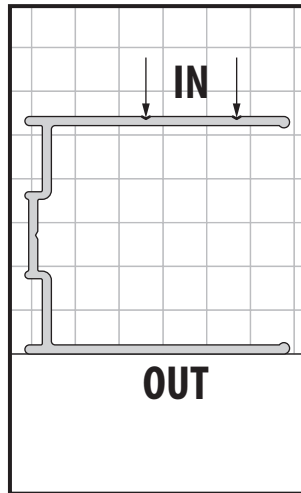
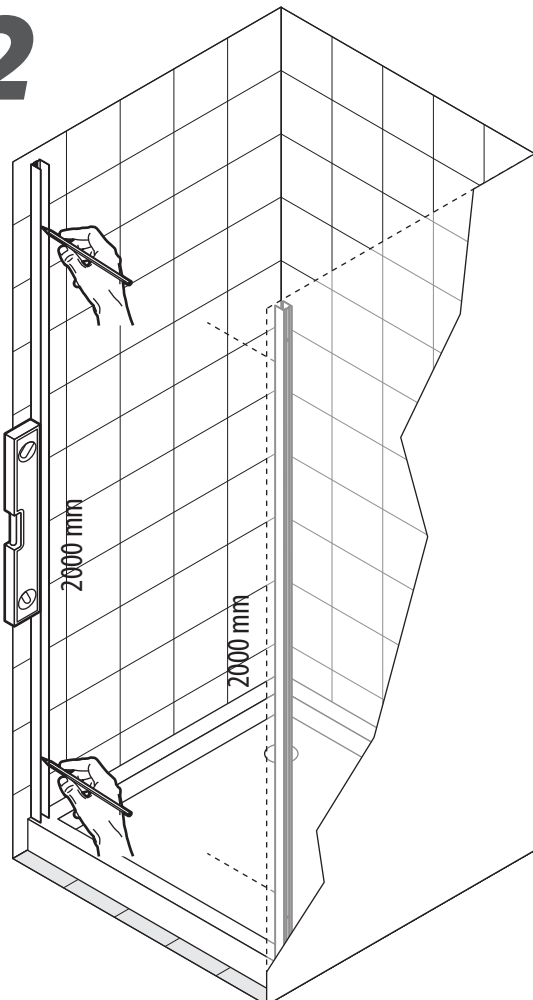
| 2B | V mm |
|-----|-----------|
| 57 | 570-610 |
| 63 | 630-670 |
| 67 | 670-710 |
| 71 | 710-750 |
| 73 | 730-770 |
| 77 | 770-810 |
| 83 | 830-870 |
| 87 | 870-910 |
| 93 | 930-970 |
| 97 | 970-1010 |
| 103 | 1030-1070 |
| 107 | 1070-1110 |
| 113 | 1130-1170 |
| 117 | 1170-1210 |
| 137 | 1370-1410 |
| 147 | 1470-1510 |
| 157 | 1570-1610 |
| 167 | 1670-1710 |
| 177 | 1770-1810 |



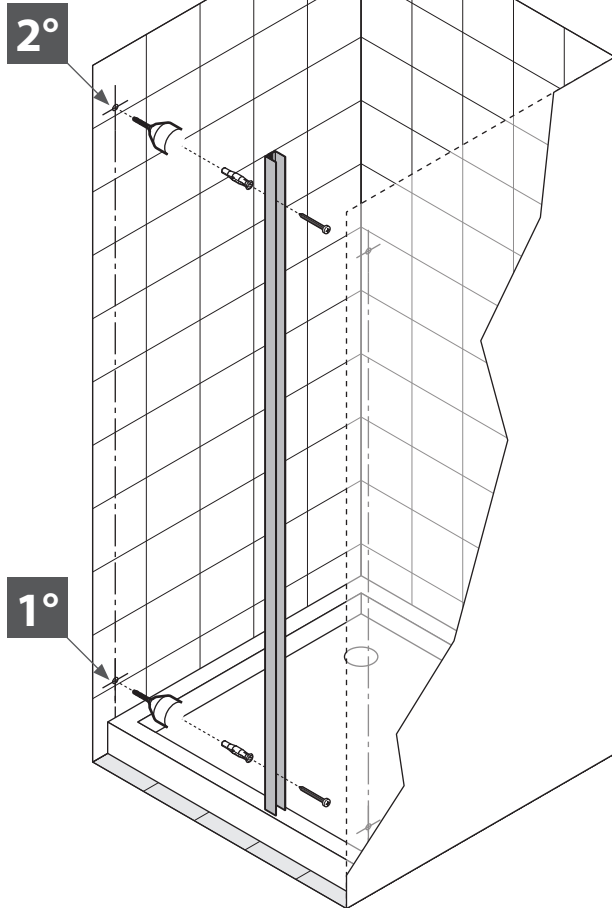
1



2



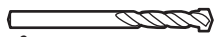
3



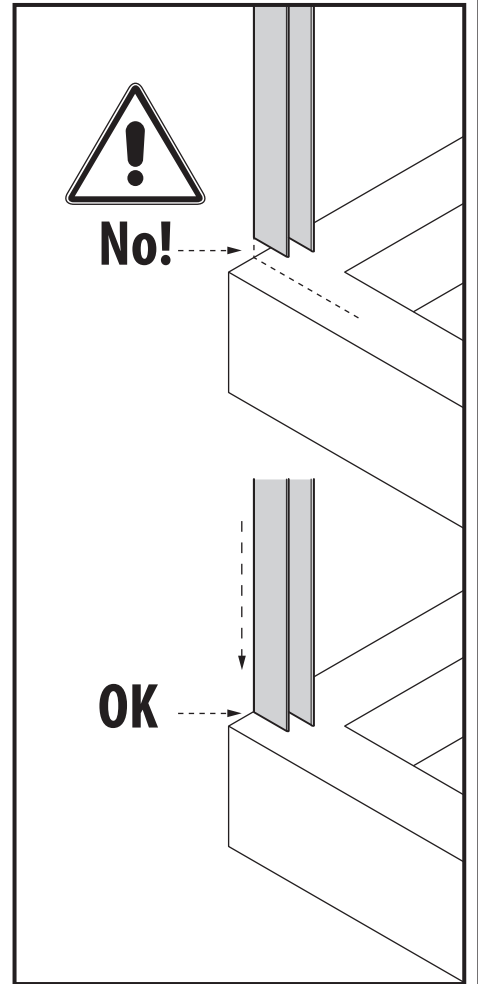
FU8x50 x2



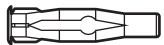
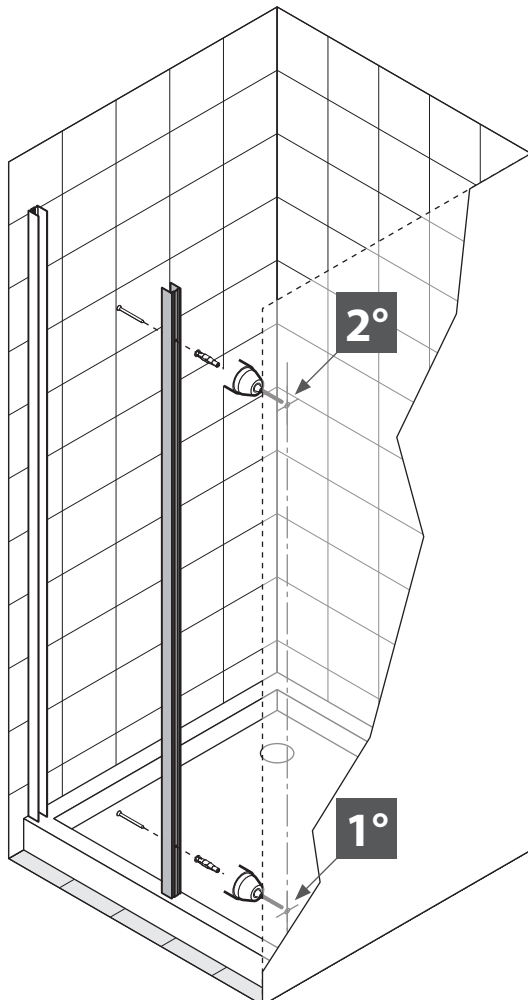
4,5x60 x2



ø8 mm



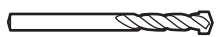
4



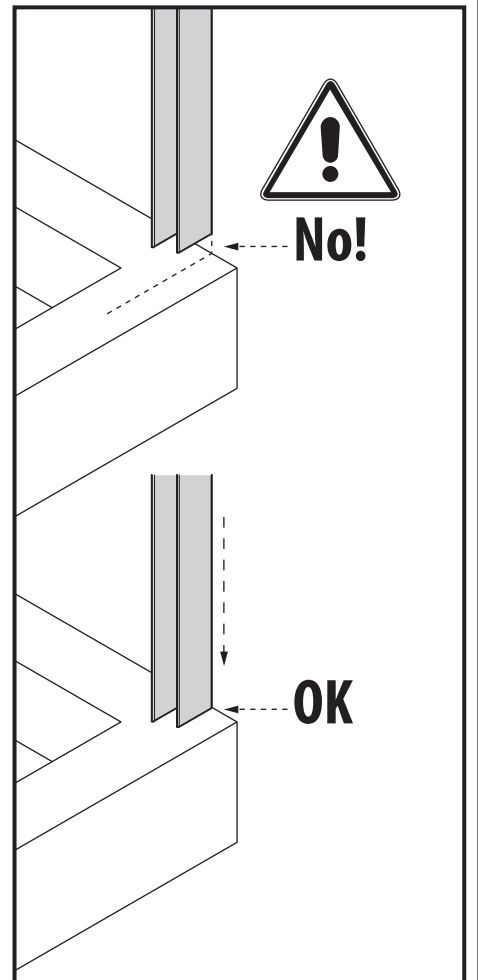
FU8x50 x2



4,5x60 x2

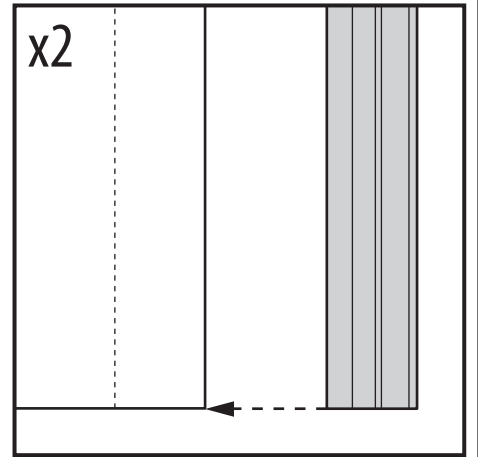
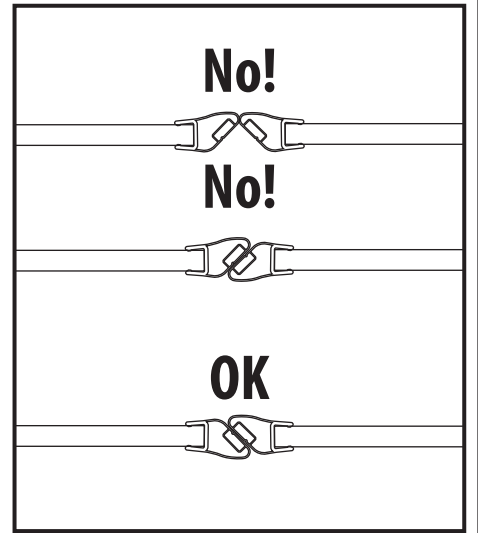
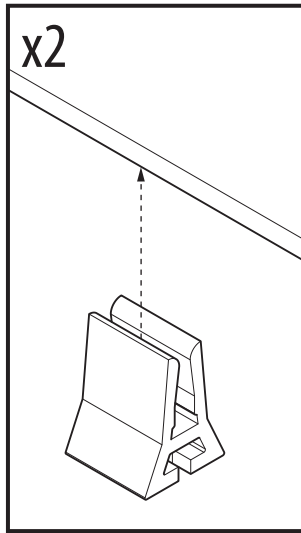
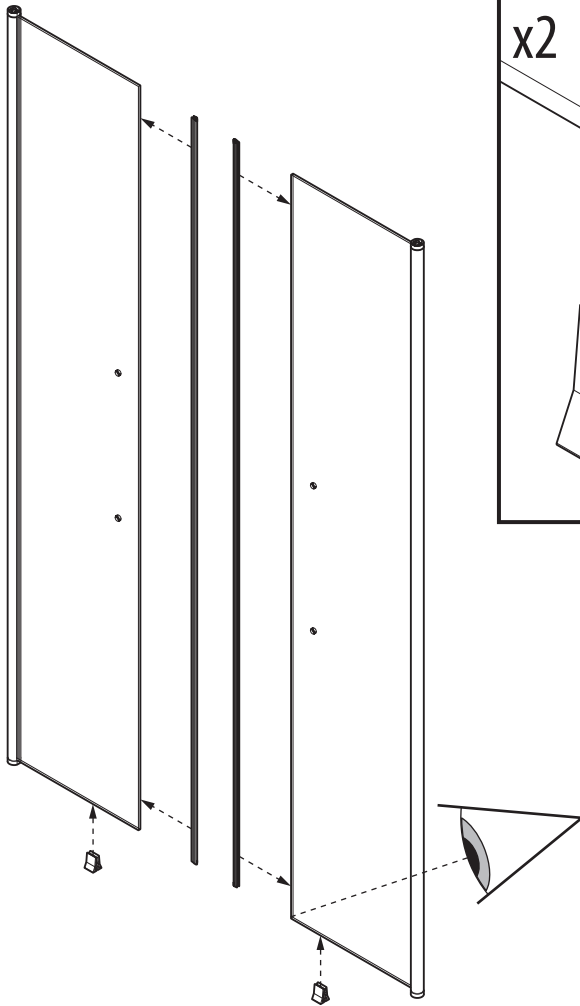


ø8 mm

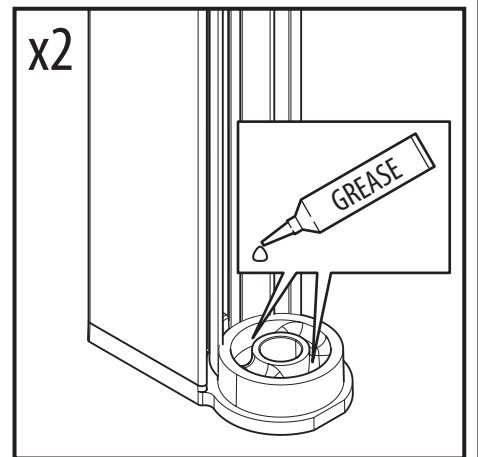
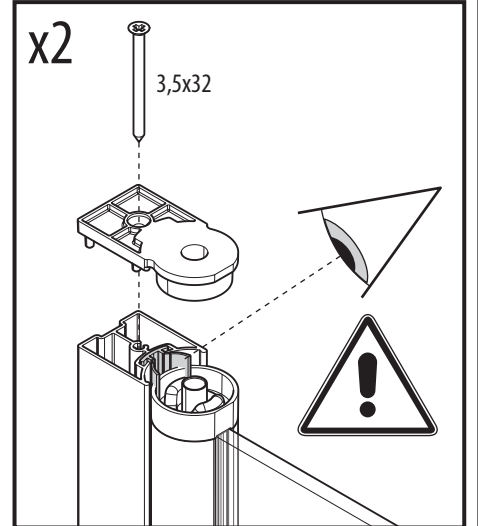
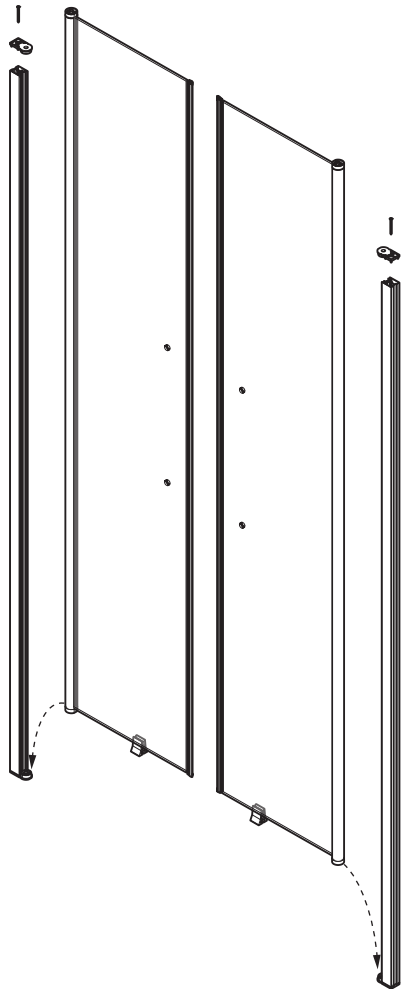


5

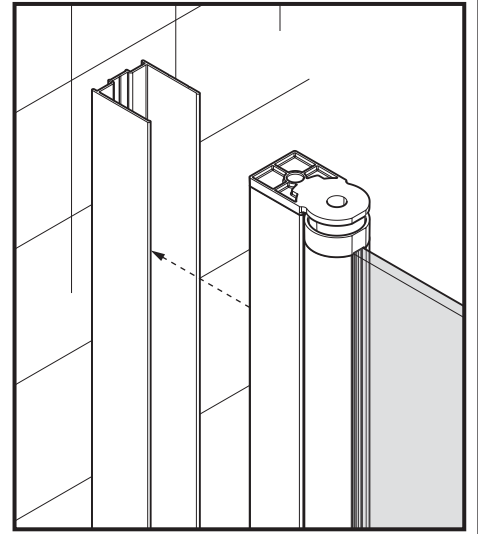
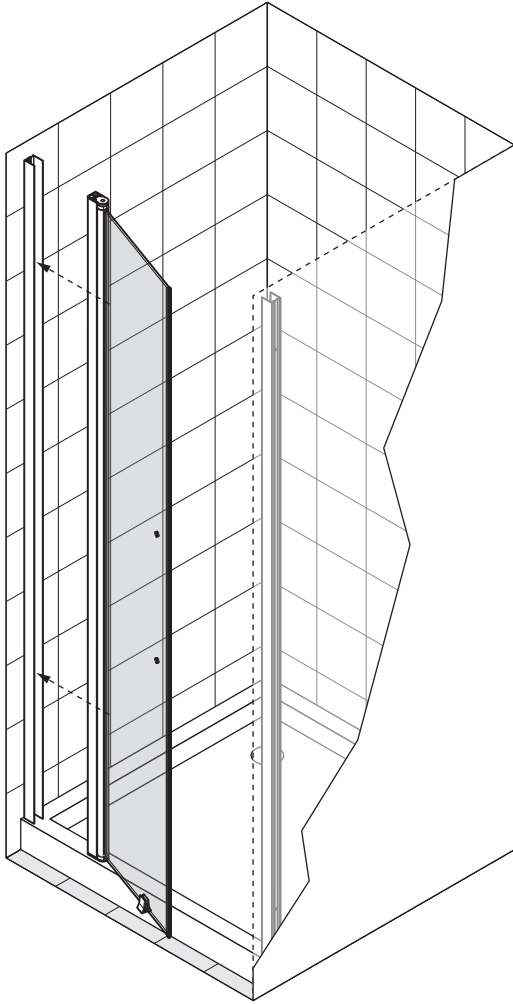
5



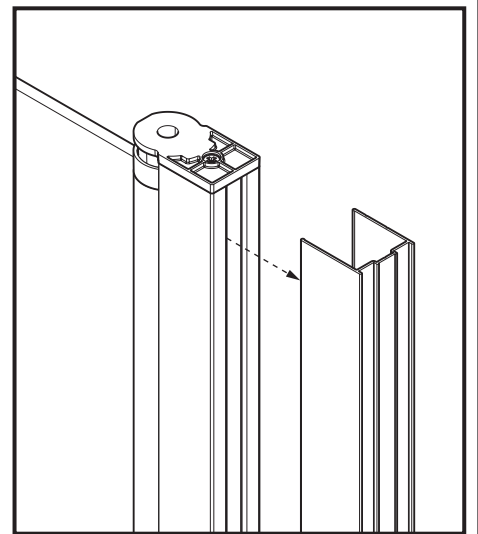
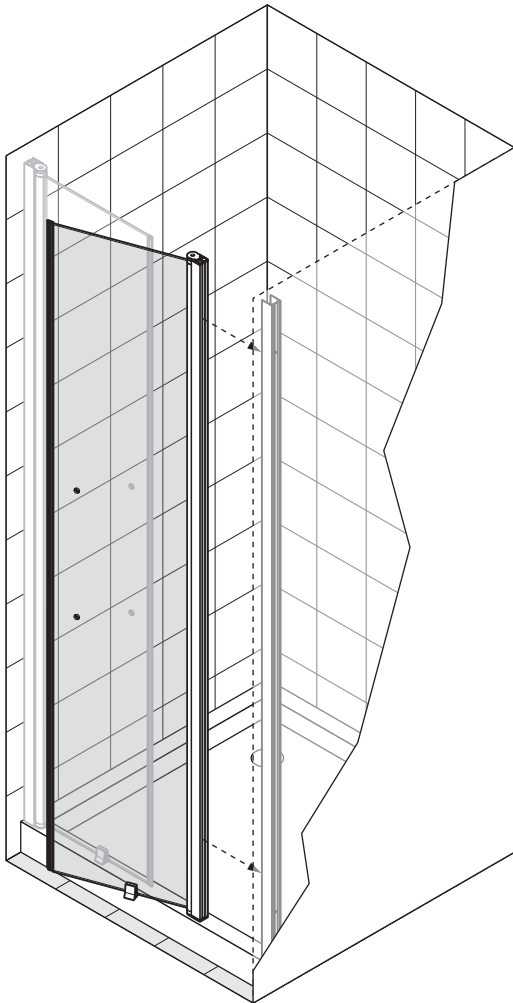
6



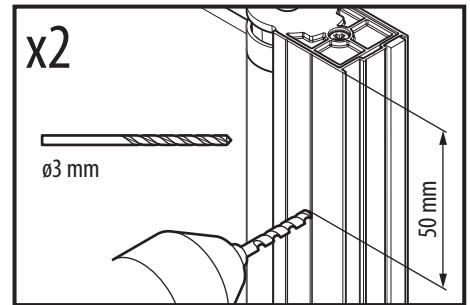
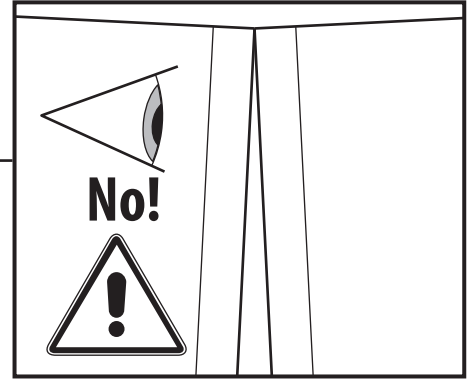
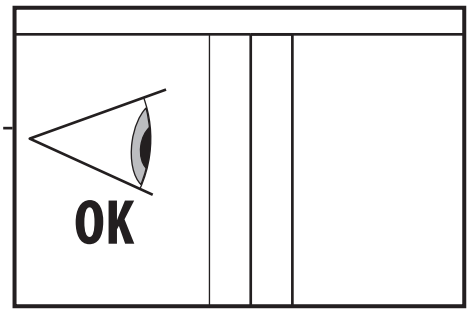
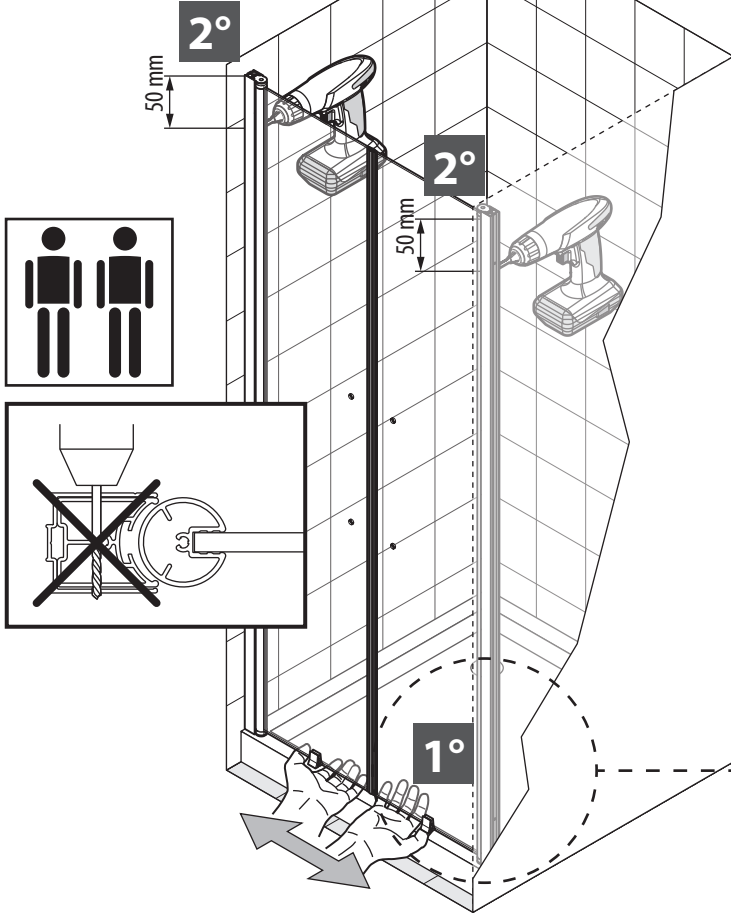
7



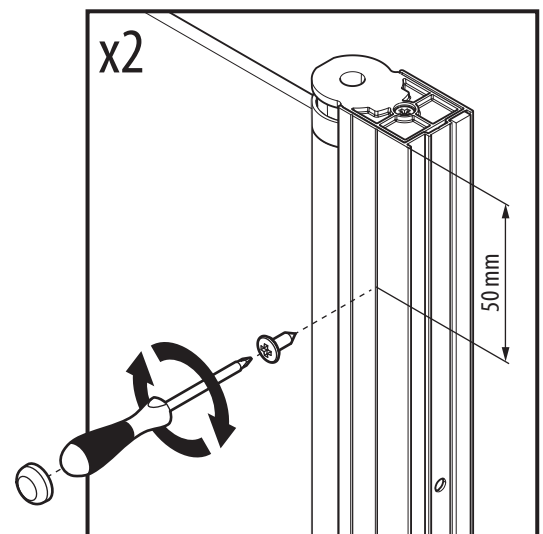
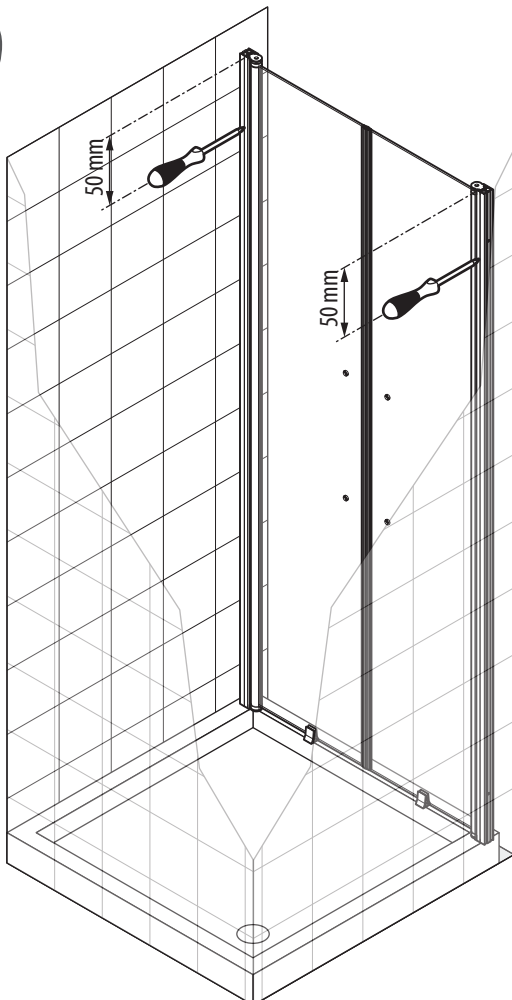
8




9



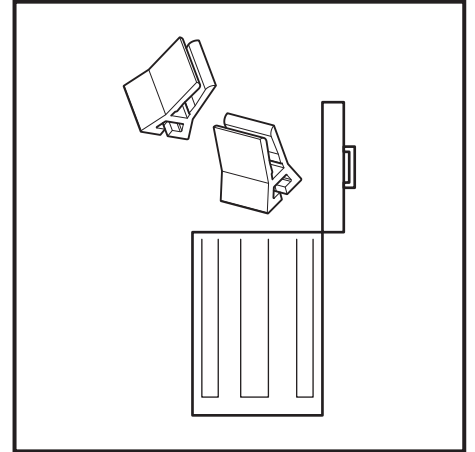
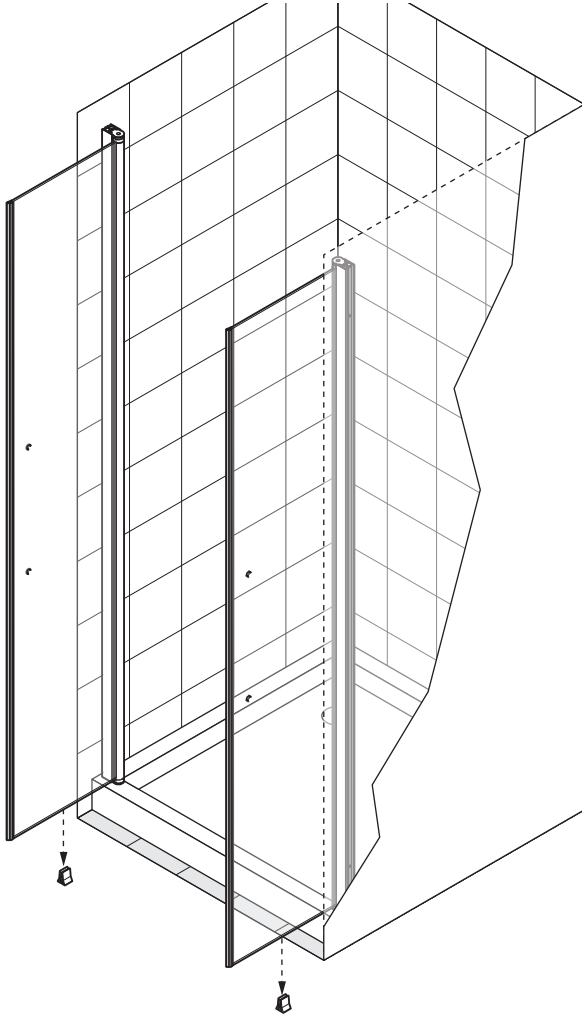
10



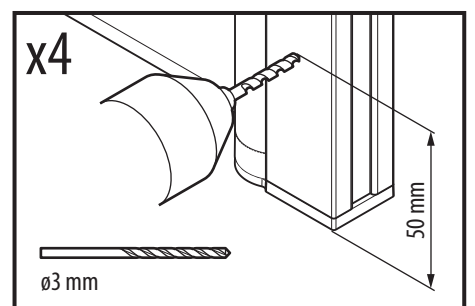
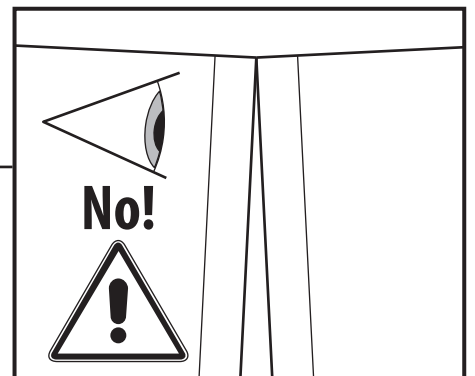
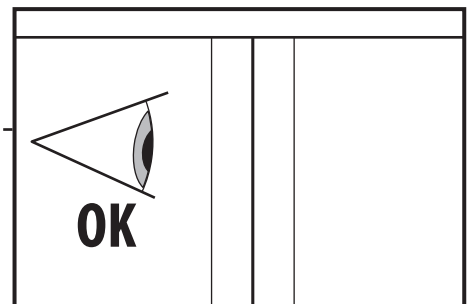
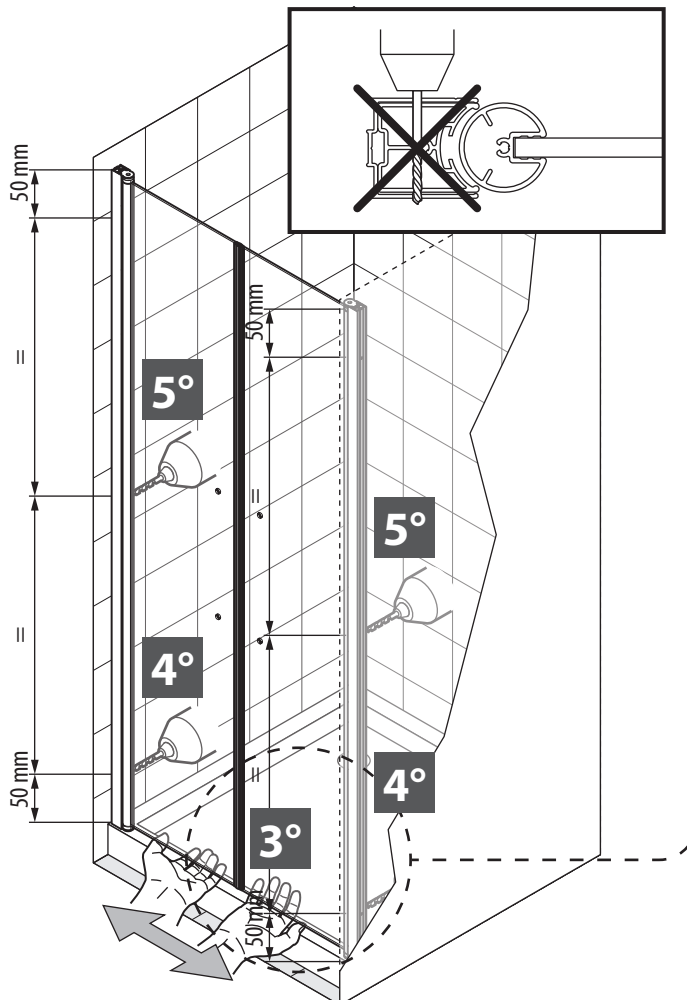
 3,5x9,5 mm x2

 x2

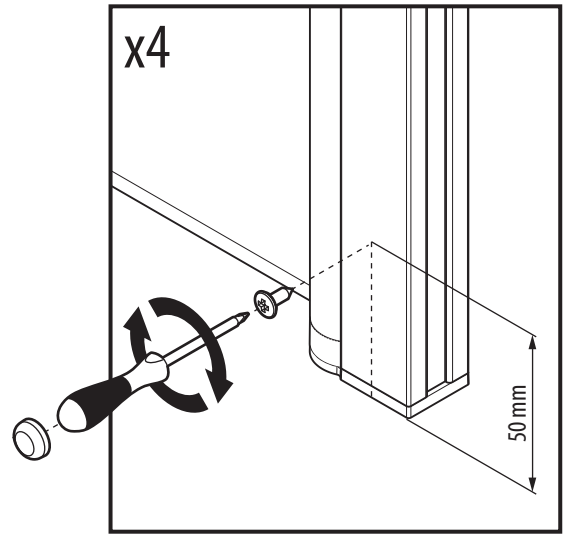
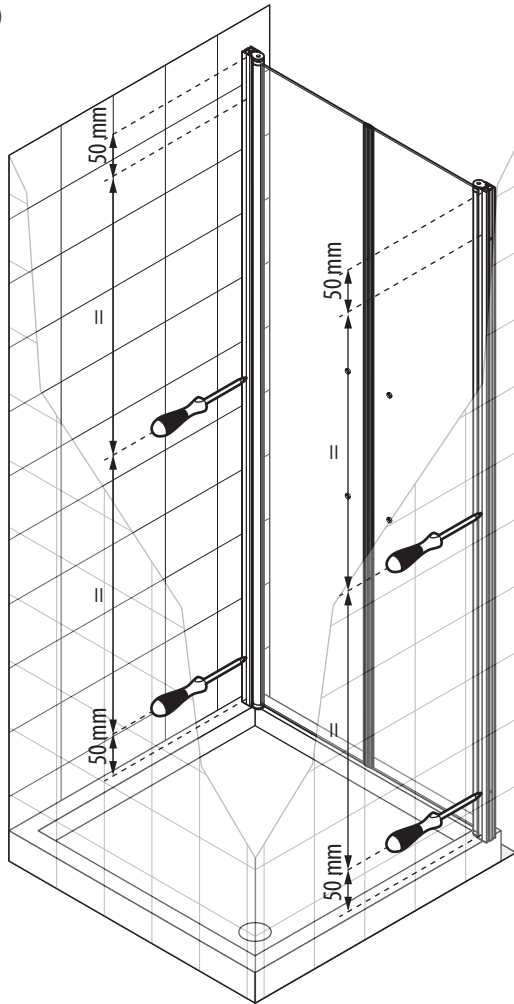
11



12



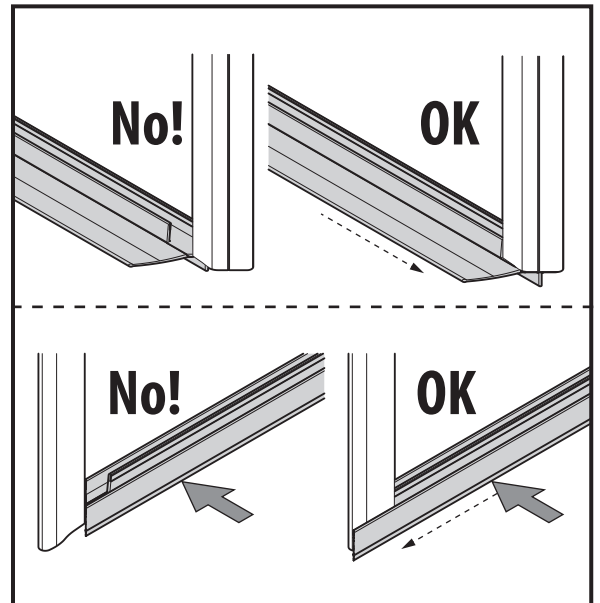
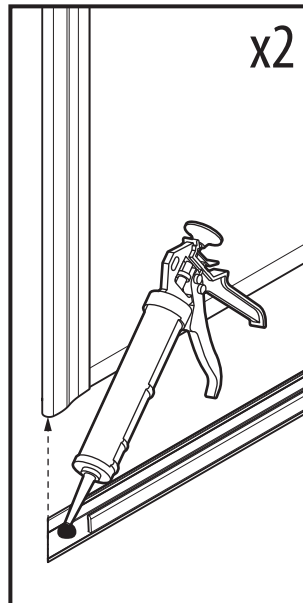
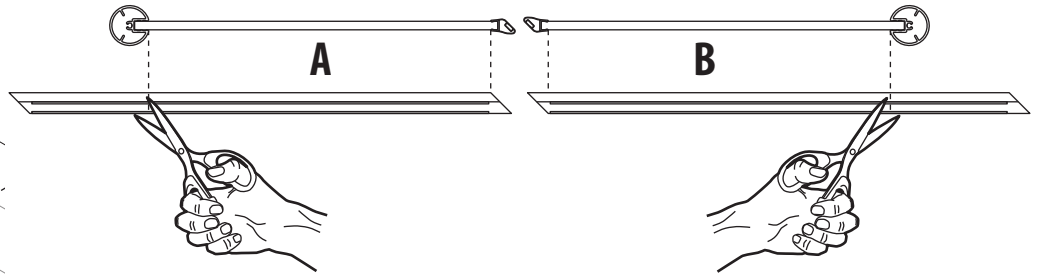
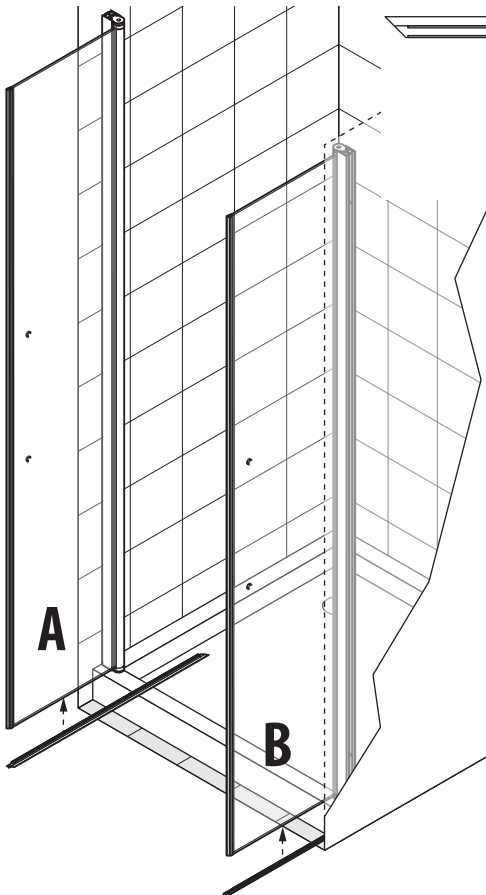
13



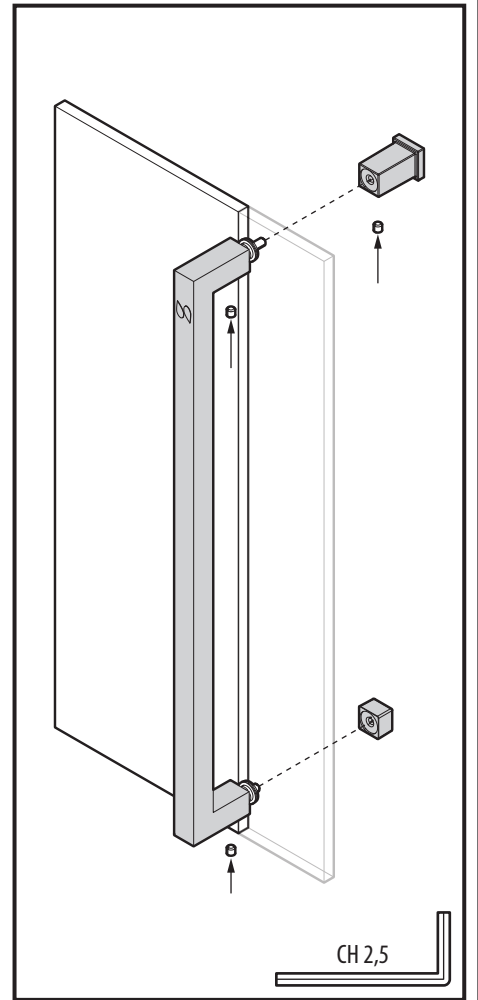
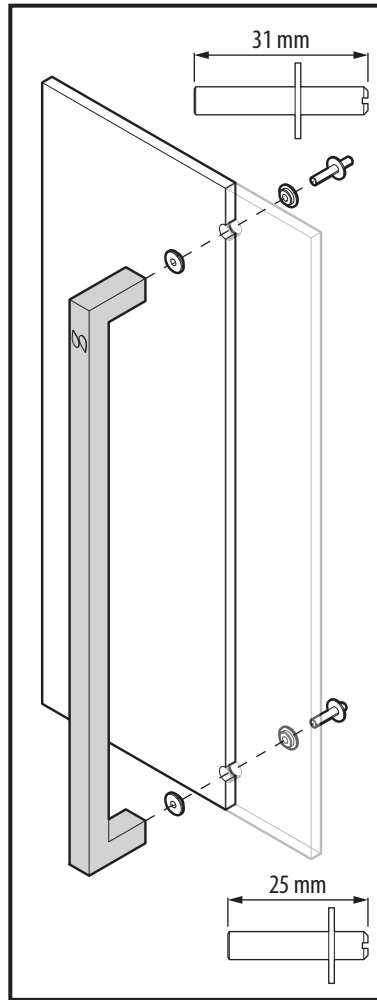
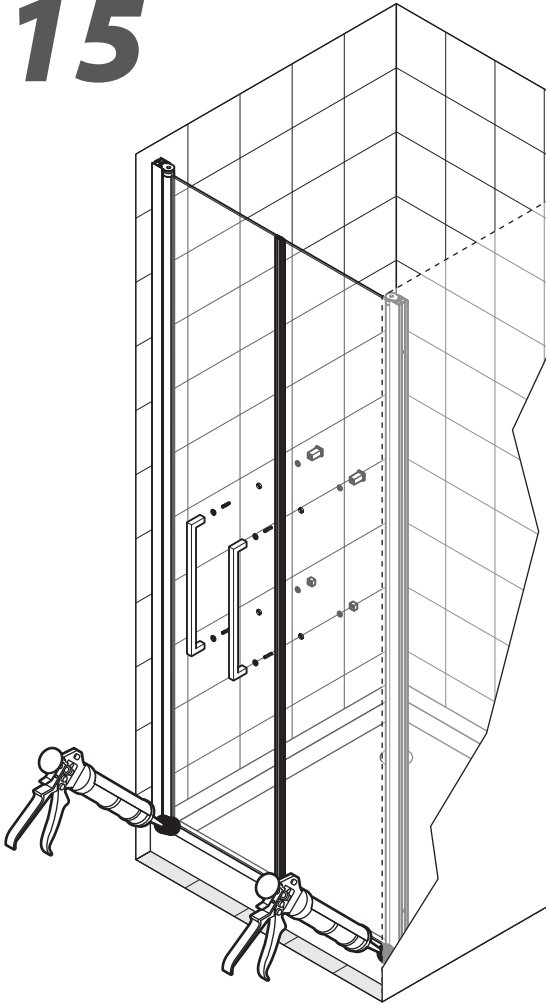
3,5x9,5 mm x4

x4

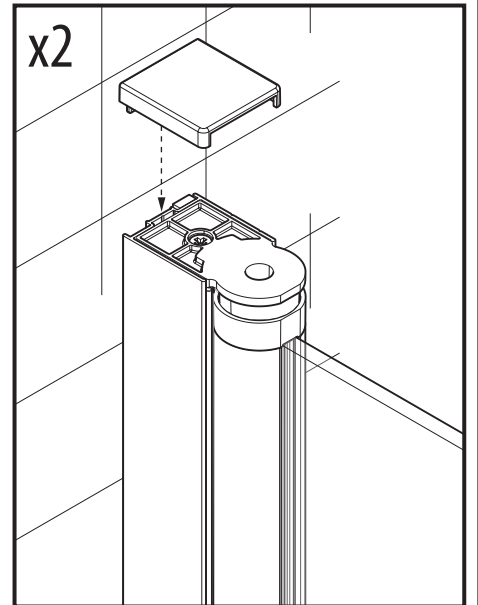
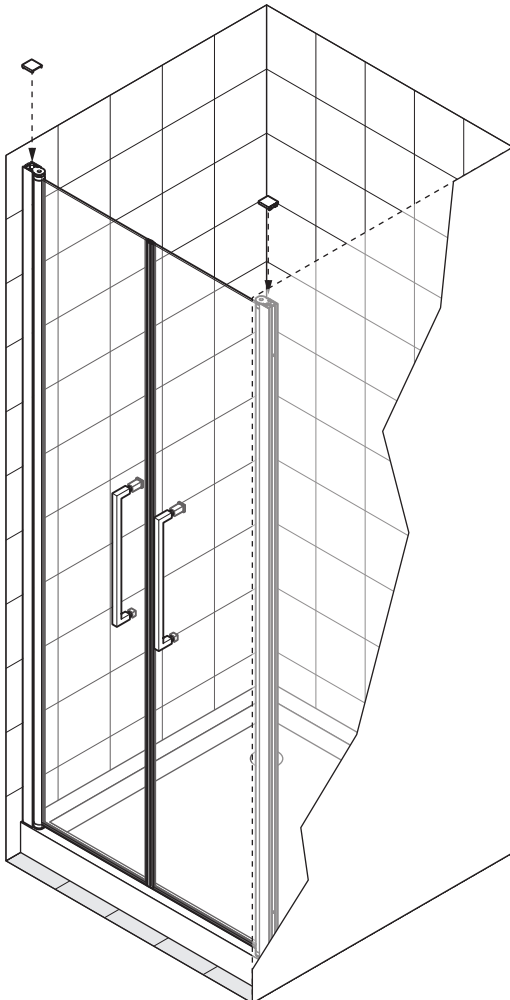
14



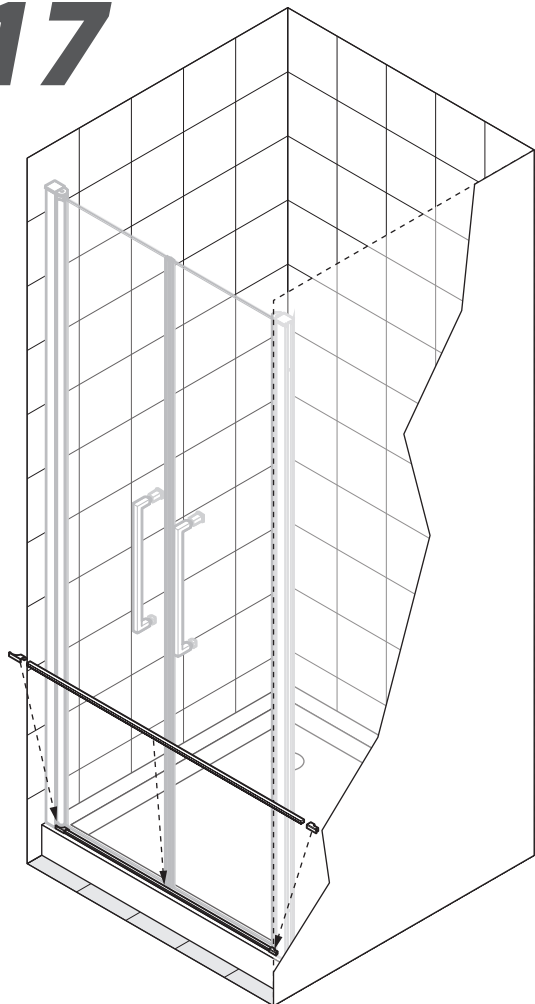
15



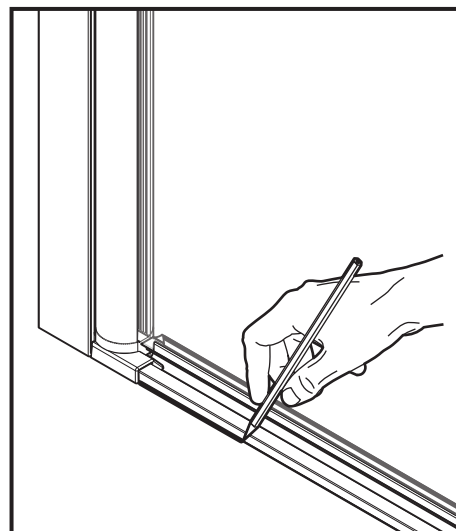
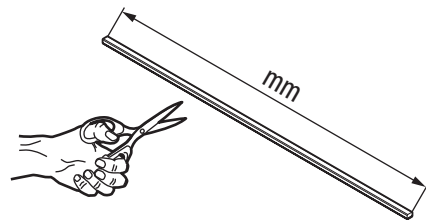
16



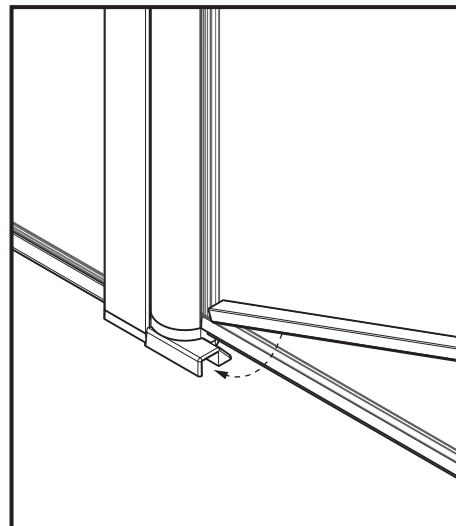
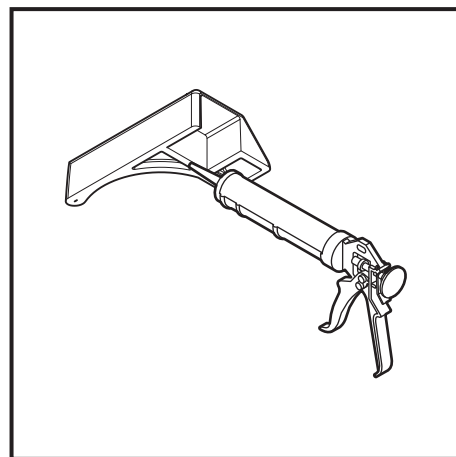
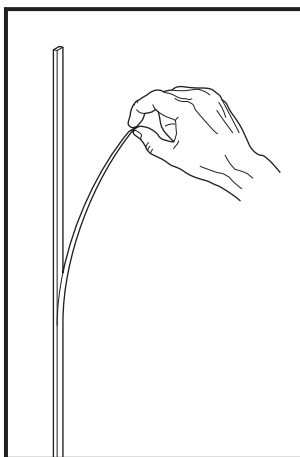
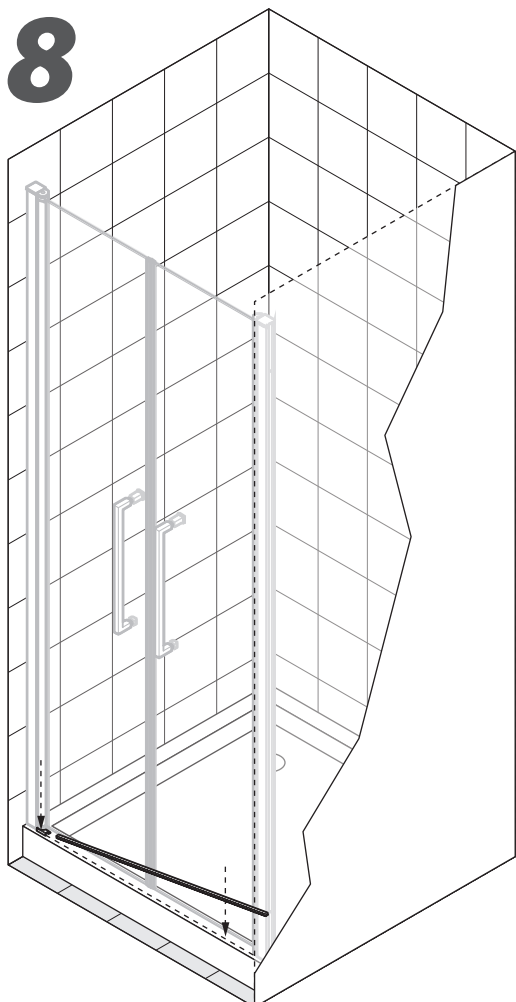
17



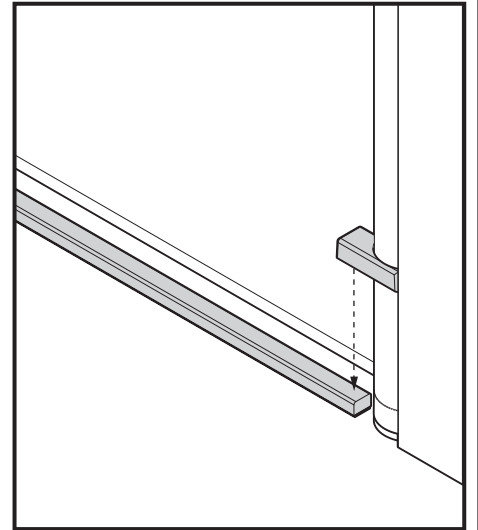
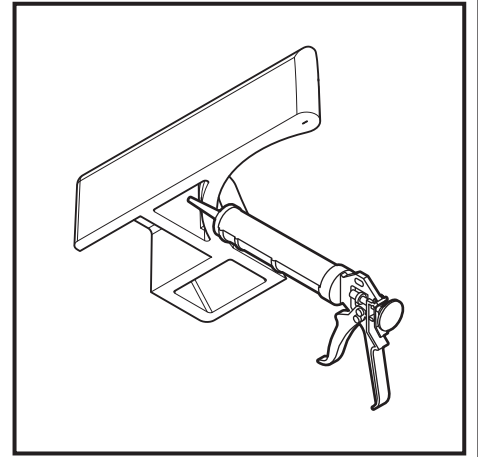
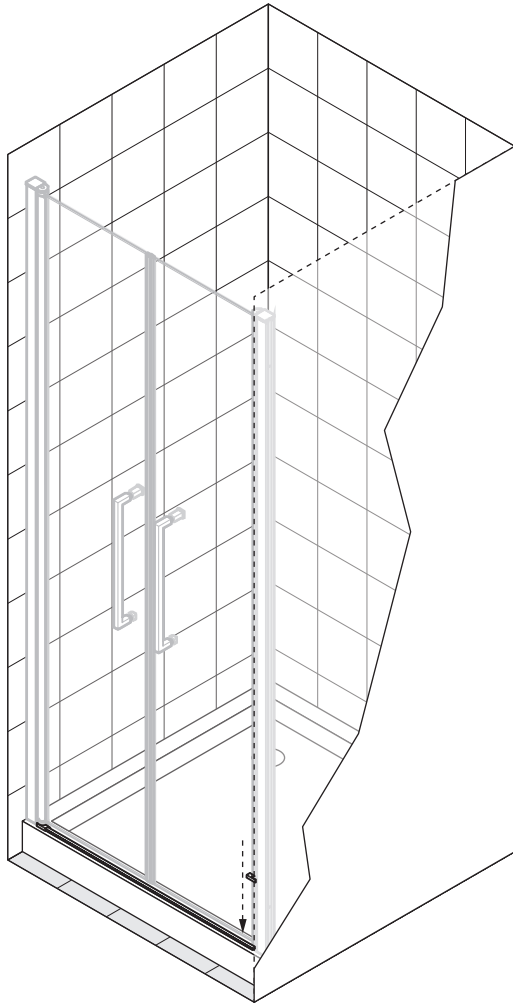
| mod. 2B | mm |
|---------|------|
| 57 | 450 |
| 63 | 510 |
| 67 | 550 |
| 71 | 590 |
| 73 | 610 |
| 77 | 650 |
| 83 | 710 |
| 87 | 750 |
| 93 | 810 |
| 97 | 850 |
| 103 | 910 |
| 107 | 950 |
| 113 | 1010 |
| 117 | 1050 |
| 137 | 1250 |
| 147 | 1350 |
| 157 | 1450 |
| 167 | 1550 |
| 177 | 1650 |



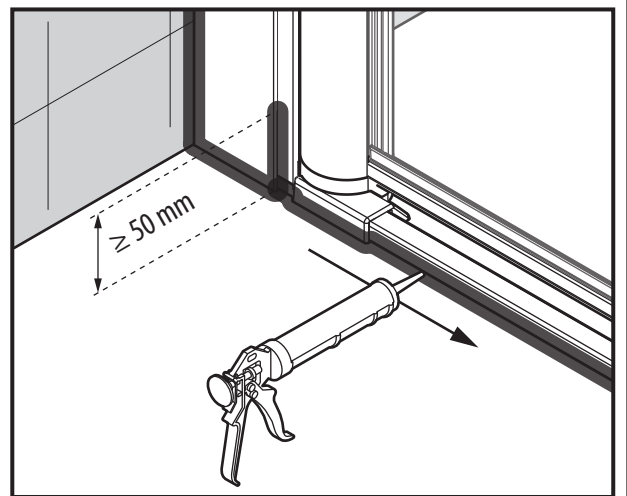
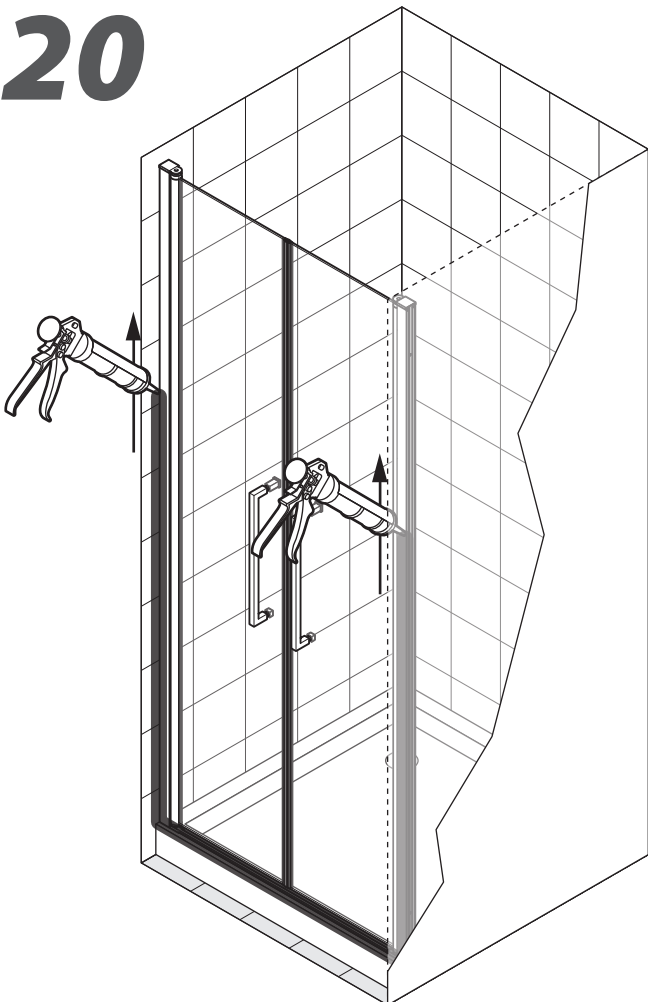
18



19



20



21

