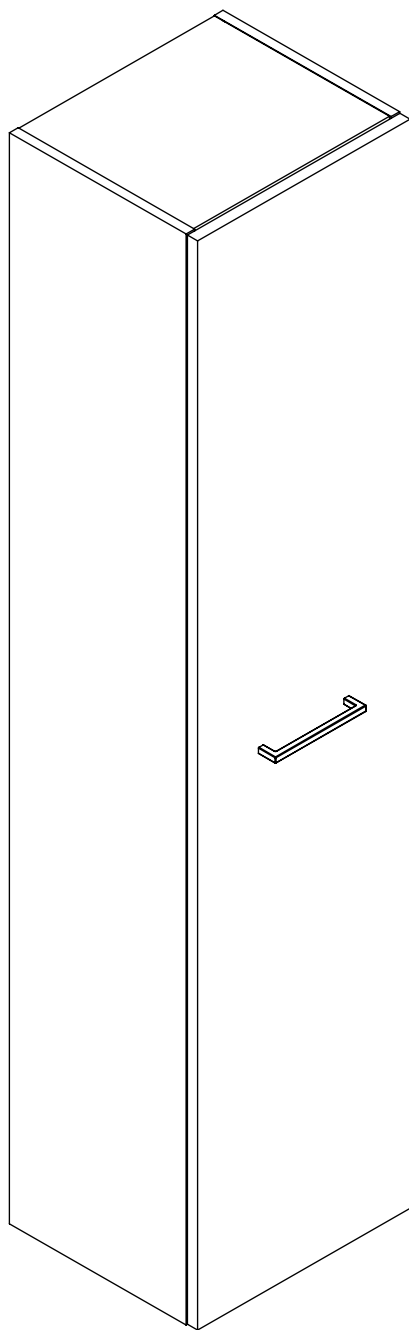


# 1904 VOSS





6x  
5-500



6x  
5,0-60SU



6x  
390010050



4x  
190300083



4x  
190300734



8x  
4,0-16LH



4x  
3,5-15SU



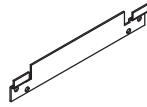
4x  
190040735



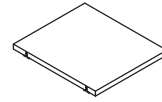
4x  
19500000



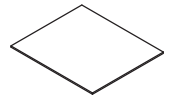
20x  
415533



1x  
546740046

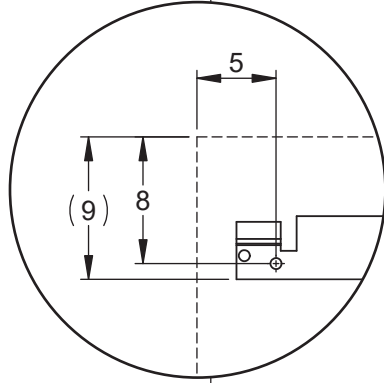
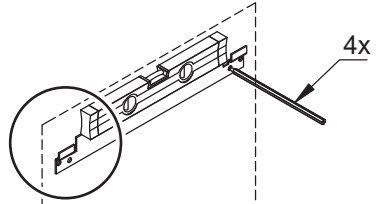


1x  
8549415xx-70






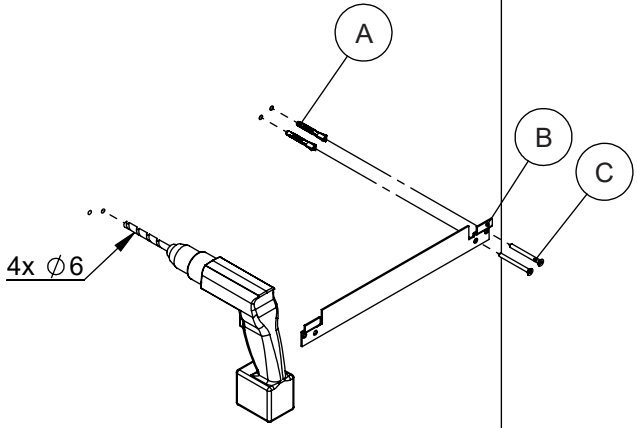
5x  
522841500

1

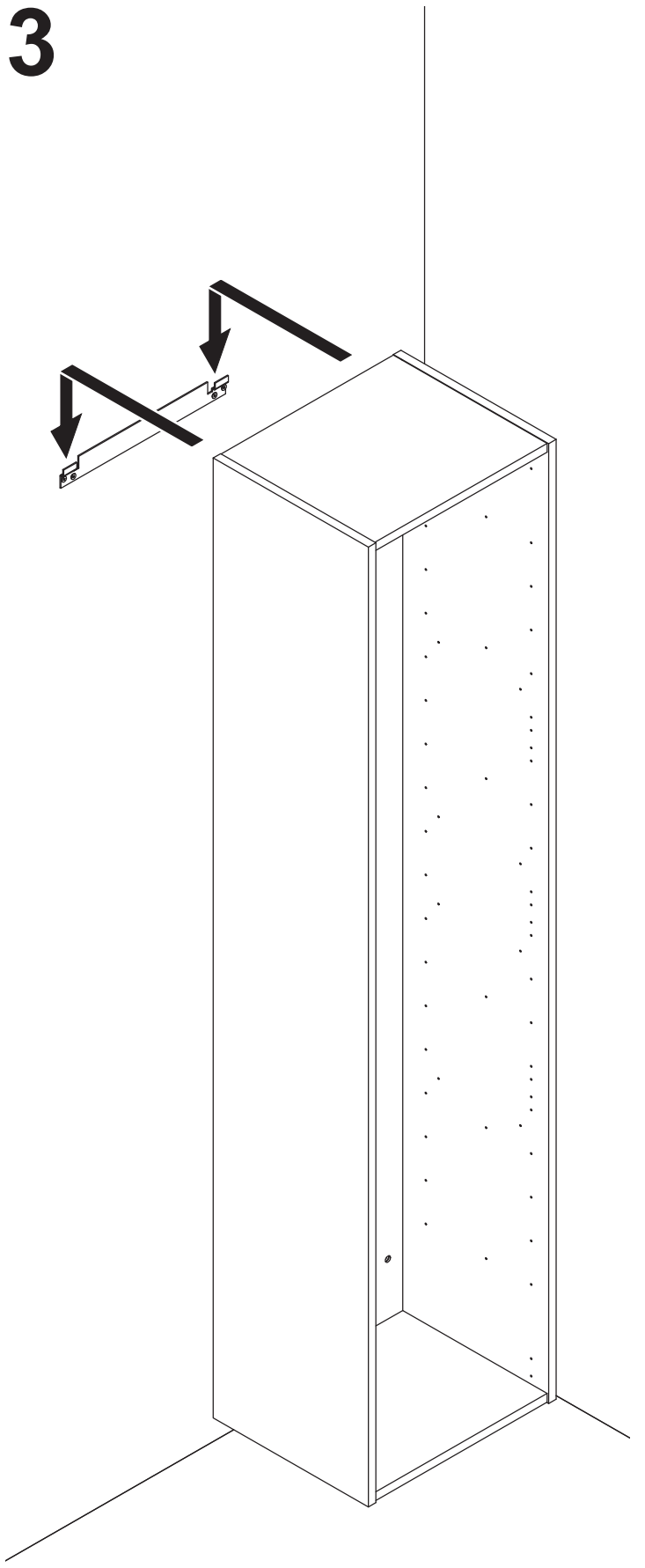


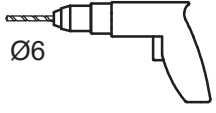



# 2

		
4x 5-500	1x 546740046	4x 5,0-60SU

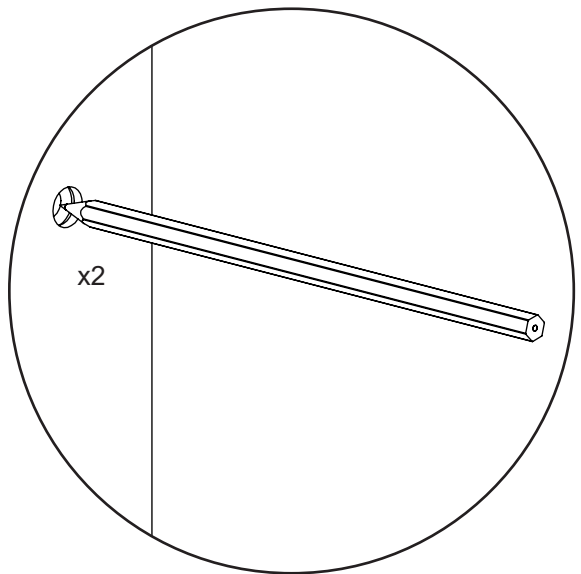
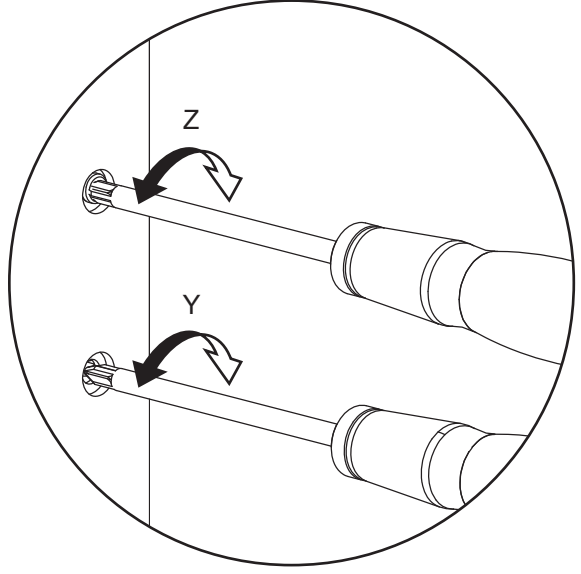
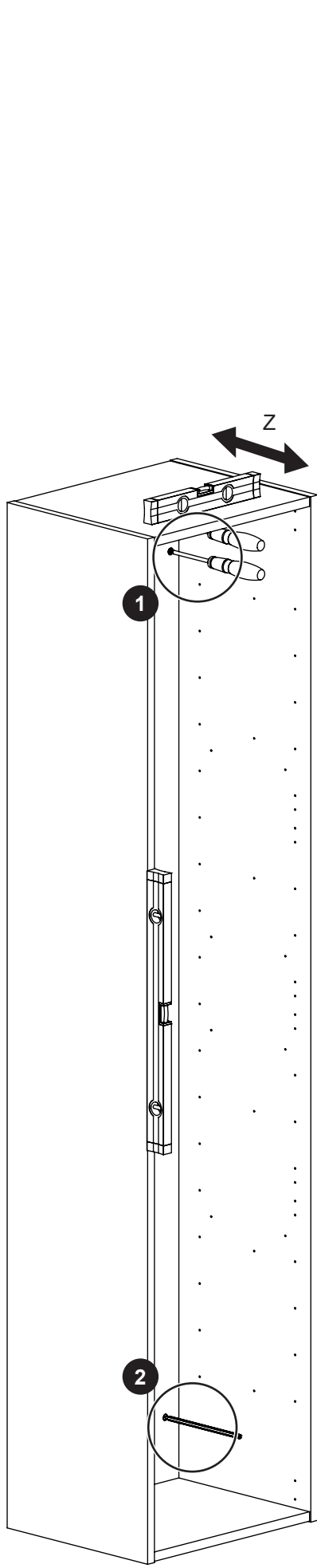


# 3

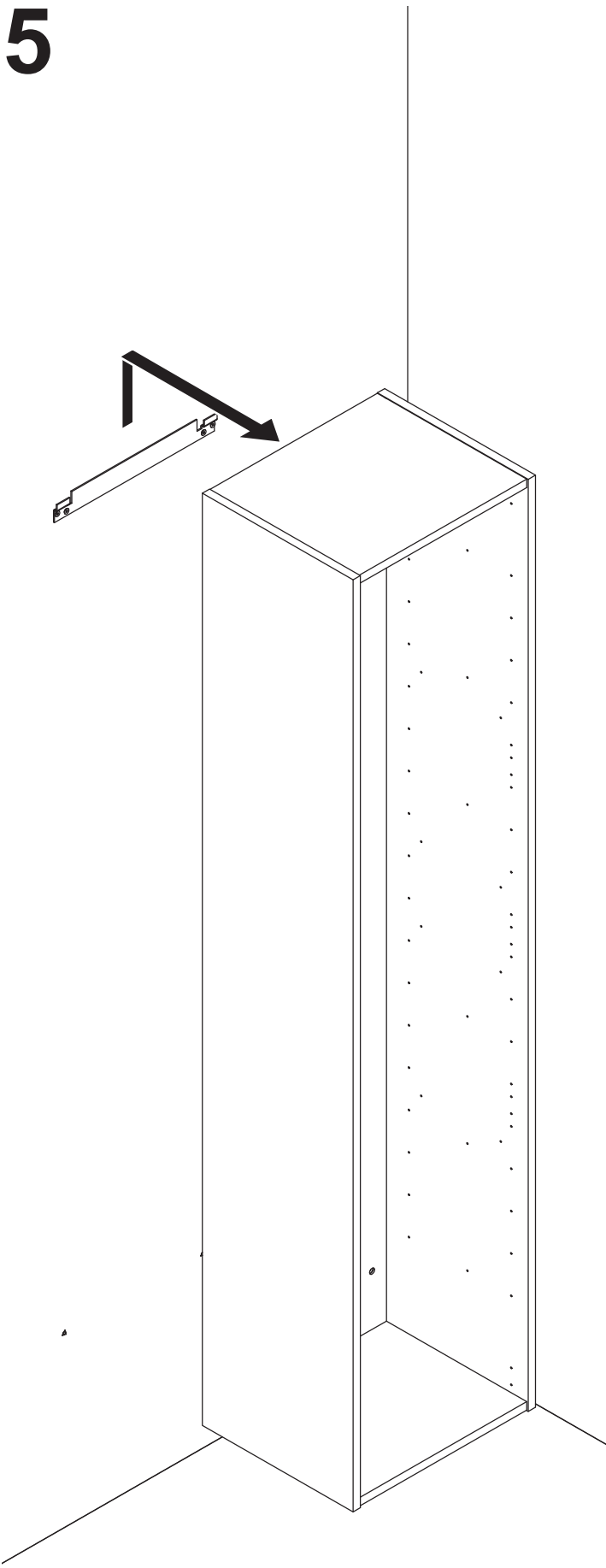


1	
2	 SILICONE
3	 A
4	 SILICONE

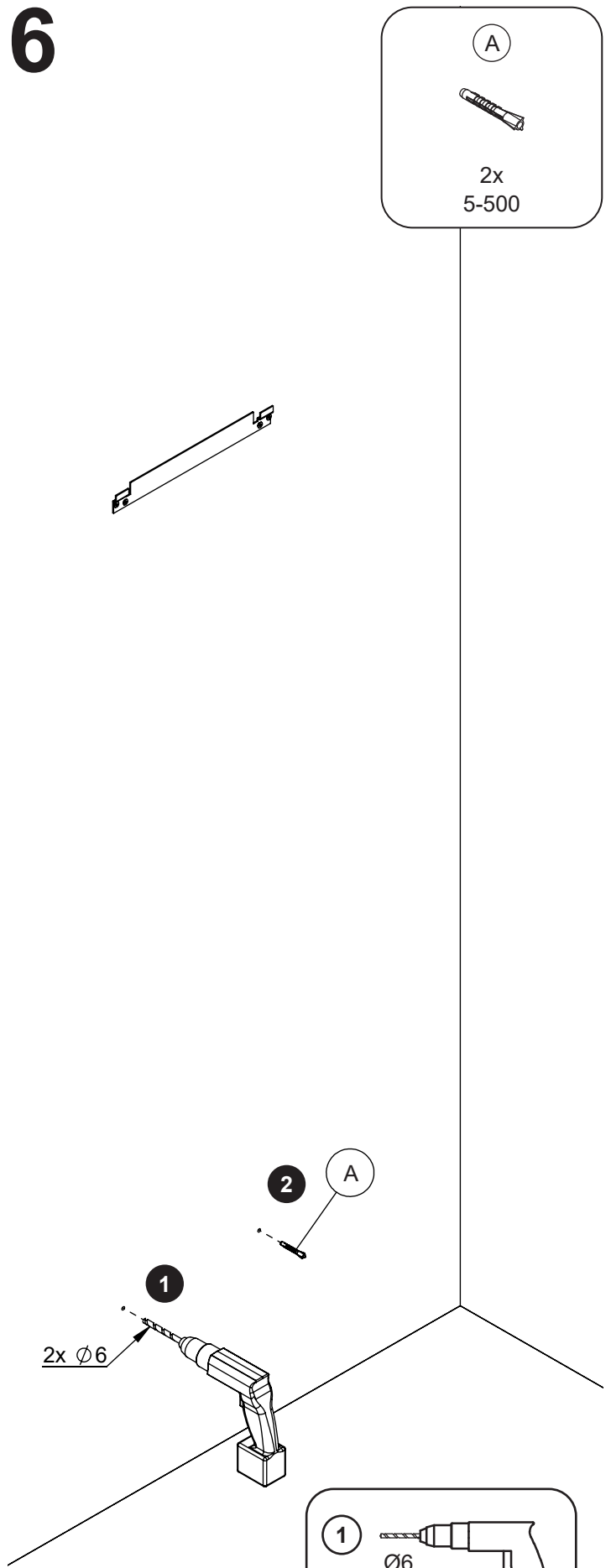
4




5



6



(A)

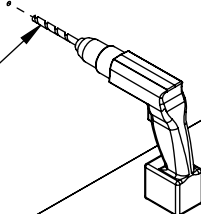



2x  
5-500

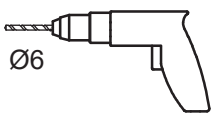
1

2x Ø6


2 (A)


1 Ø6




2 SILICONE



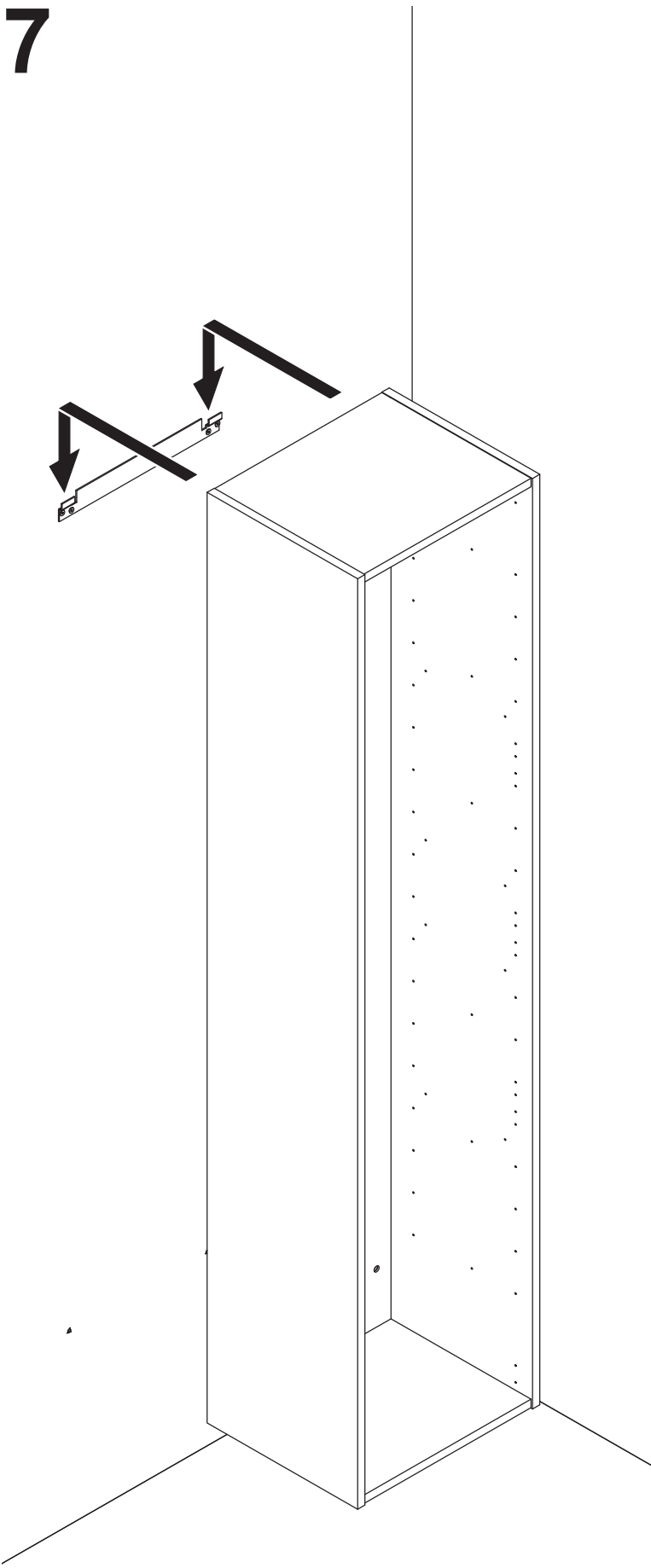
3 (A)







4 SILICONE

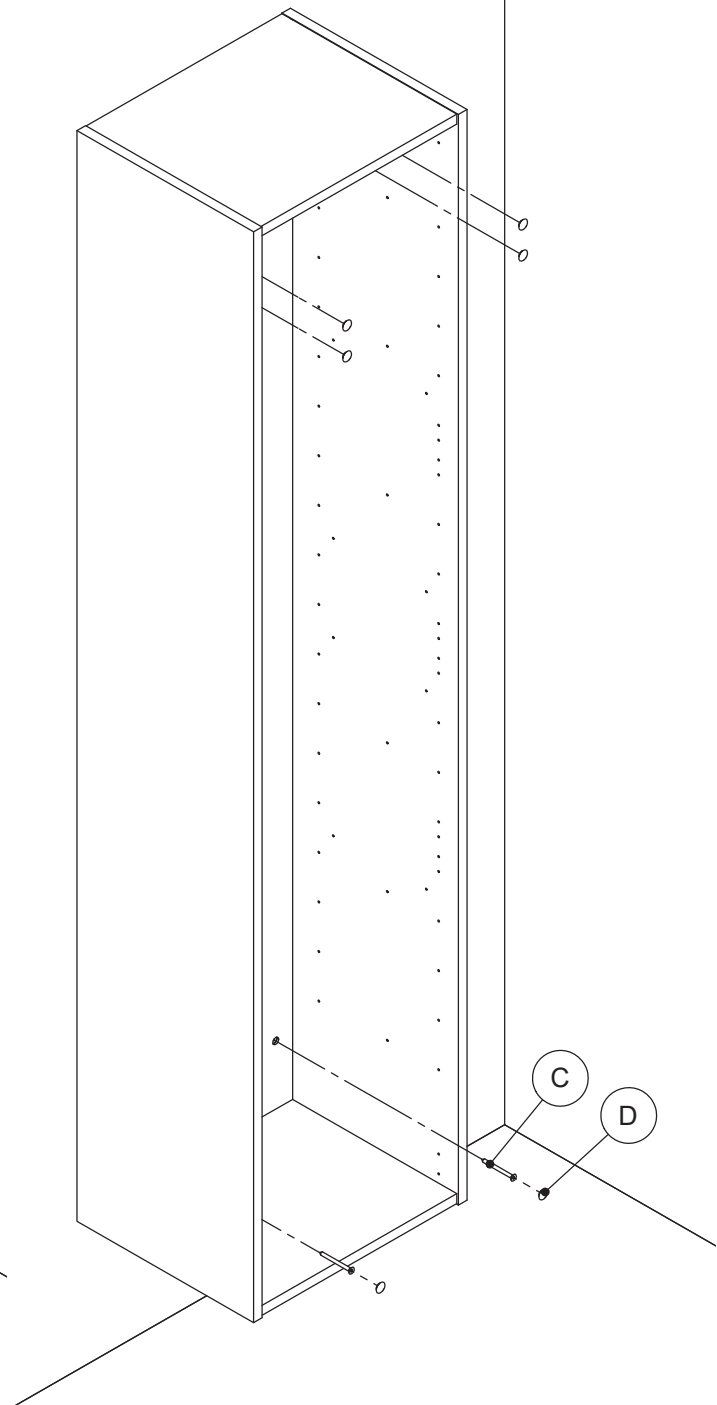


# 7





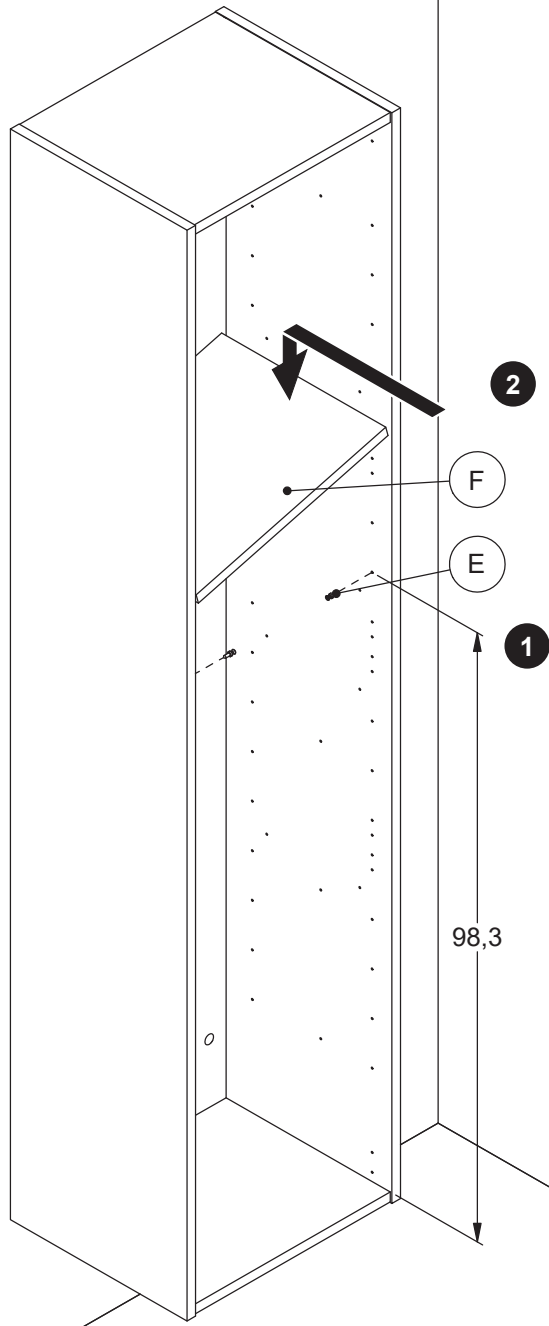
# 8

 C	 D
	
2x 5,0-60SU	6x 390010050



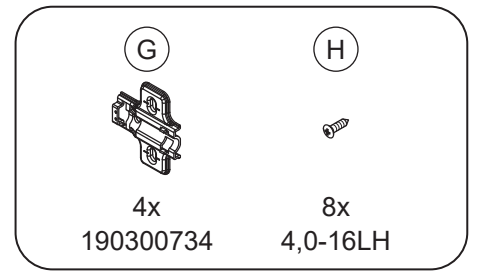
9

	
4x	1x
190300083	8549415xx-70

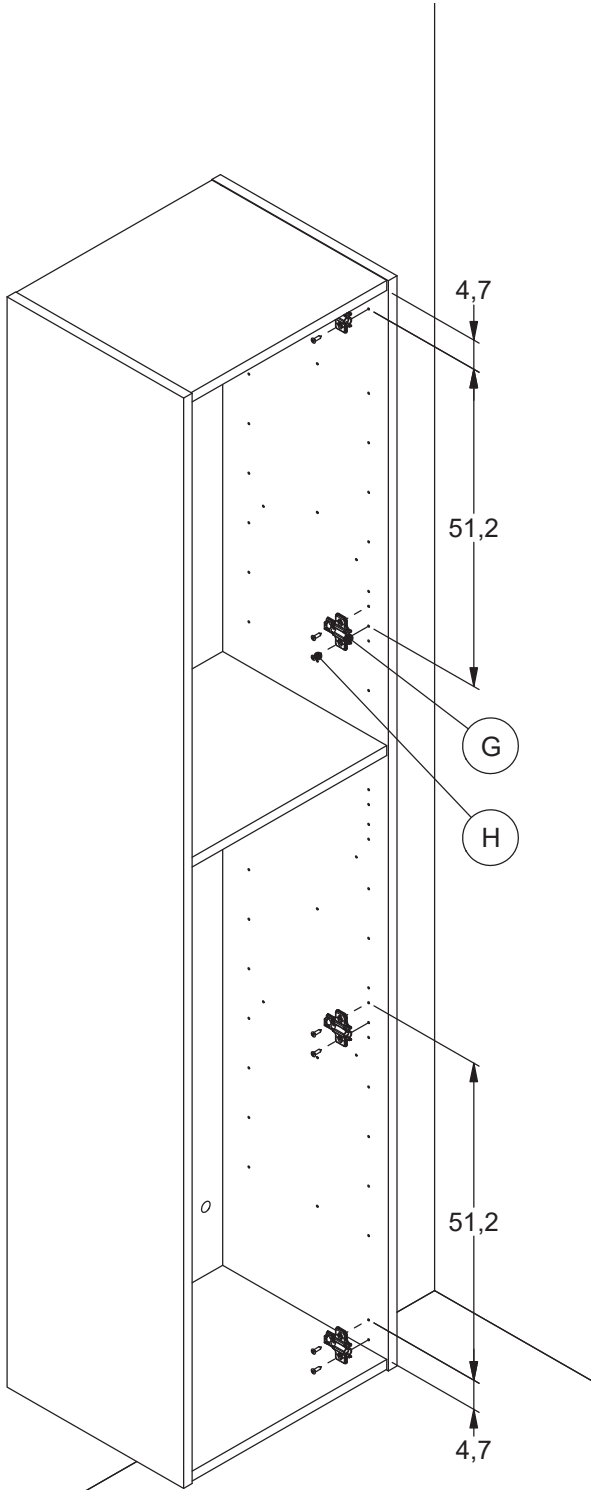




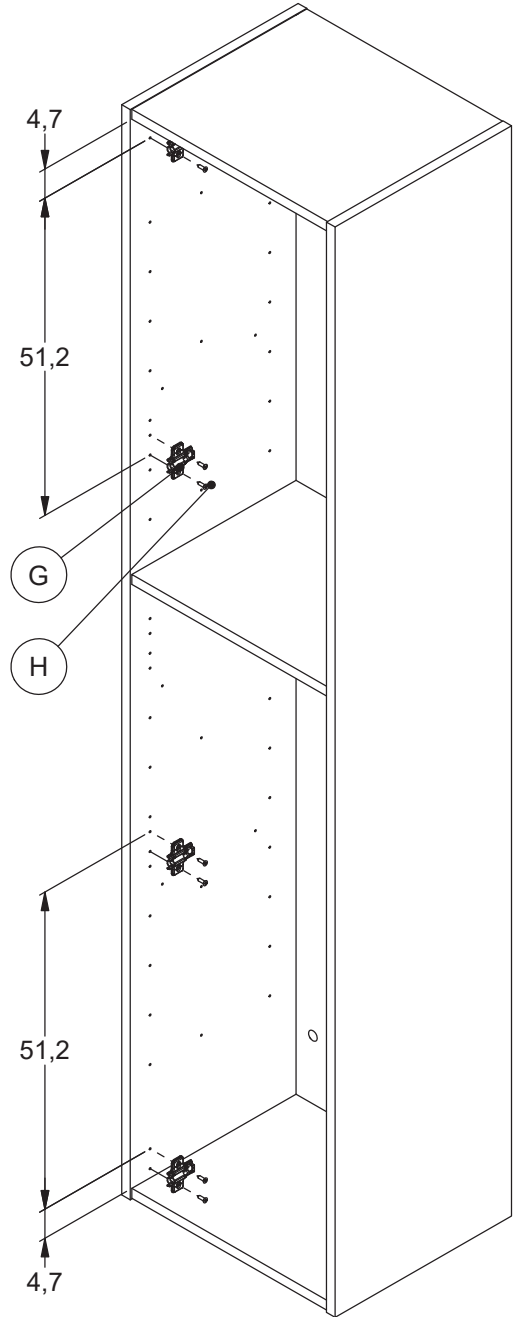
# 10



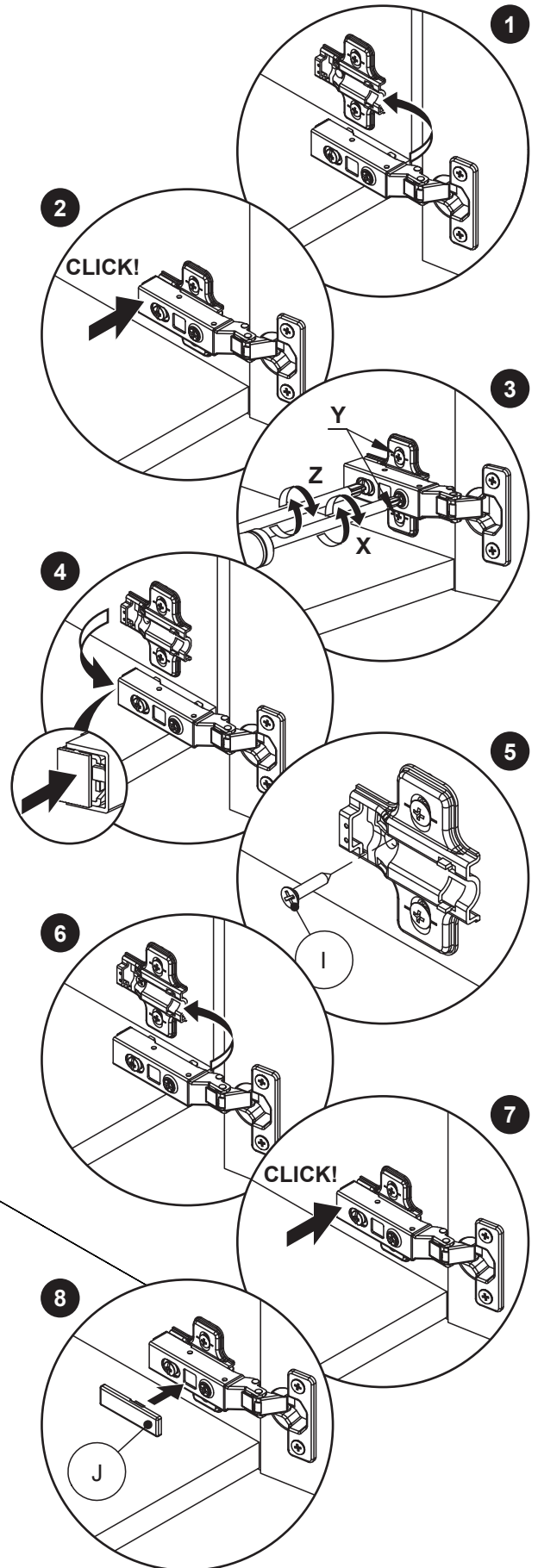
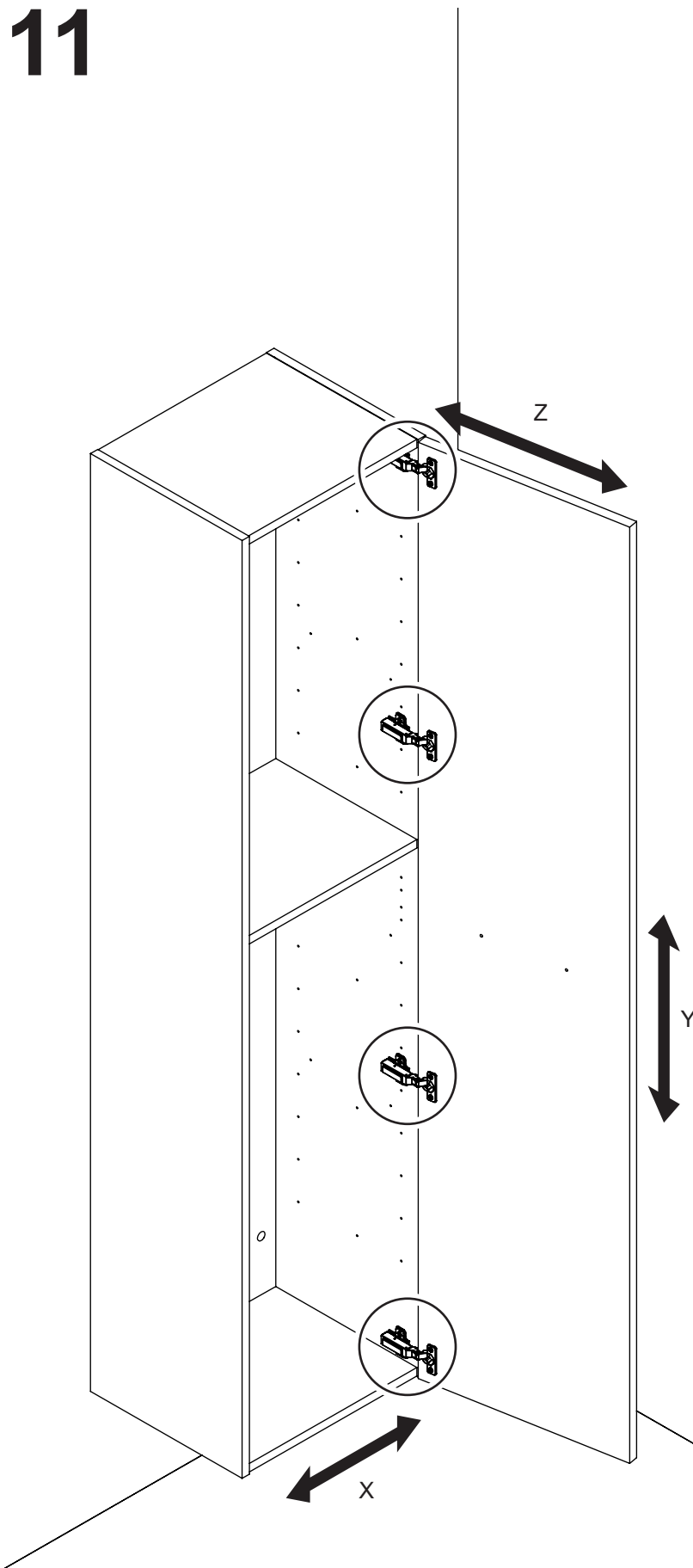
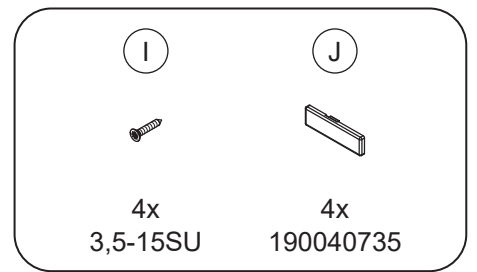
## A



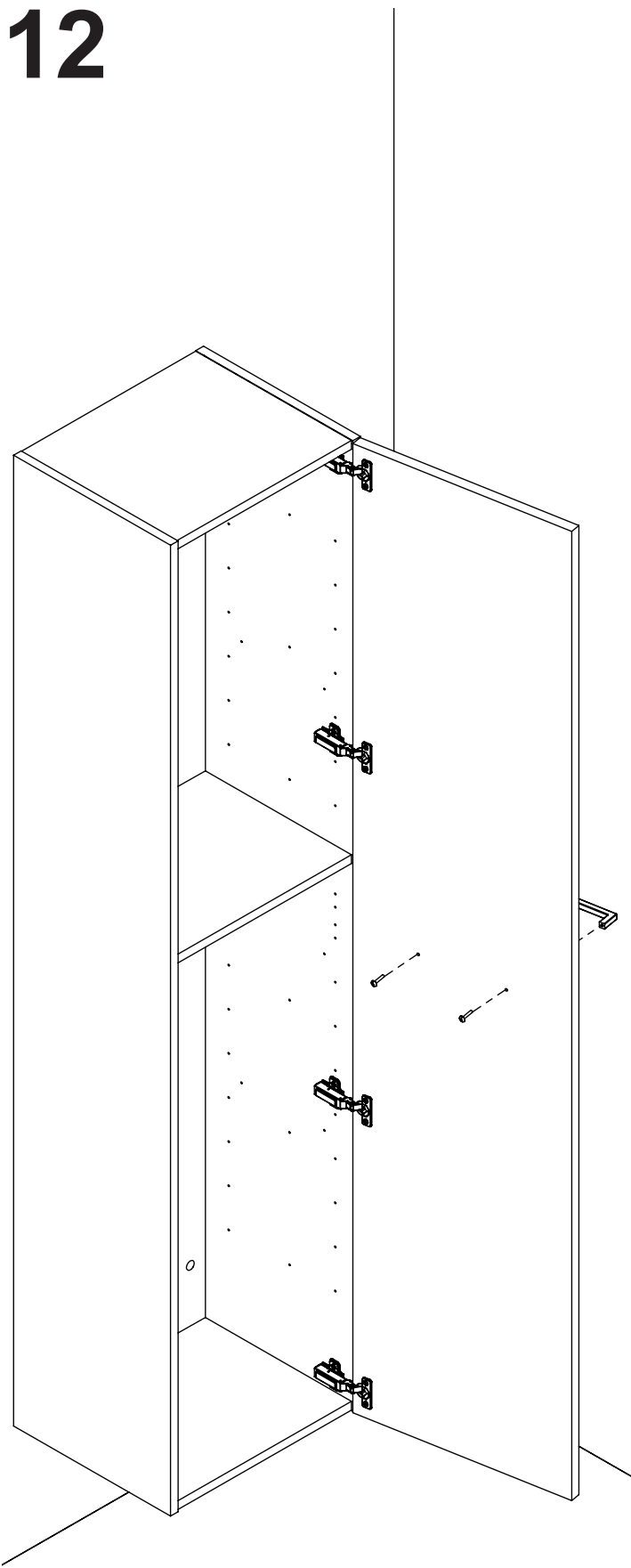
## B



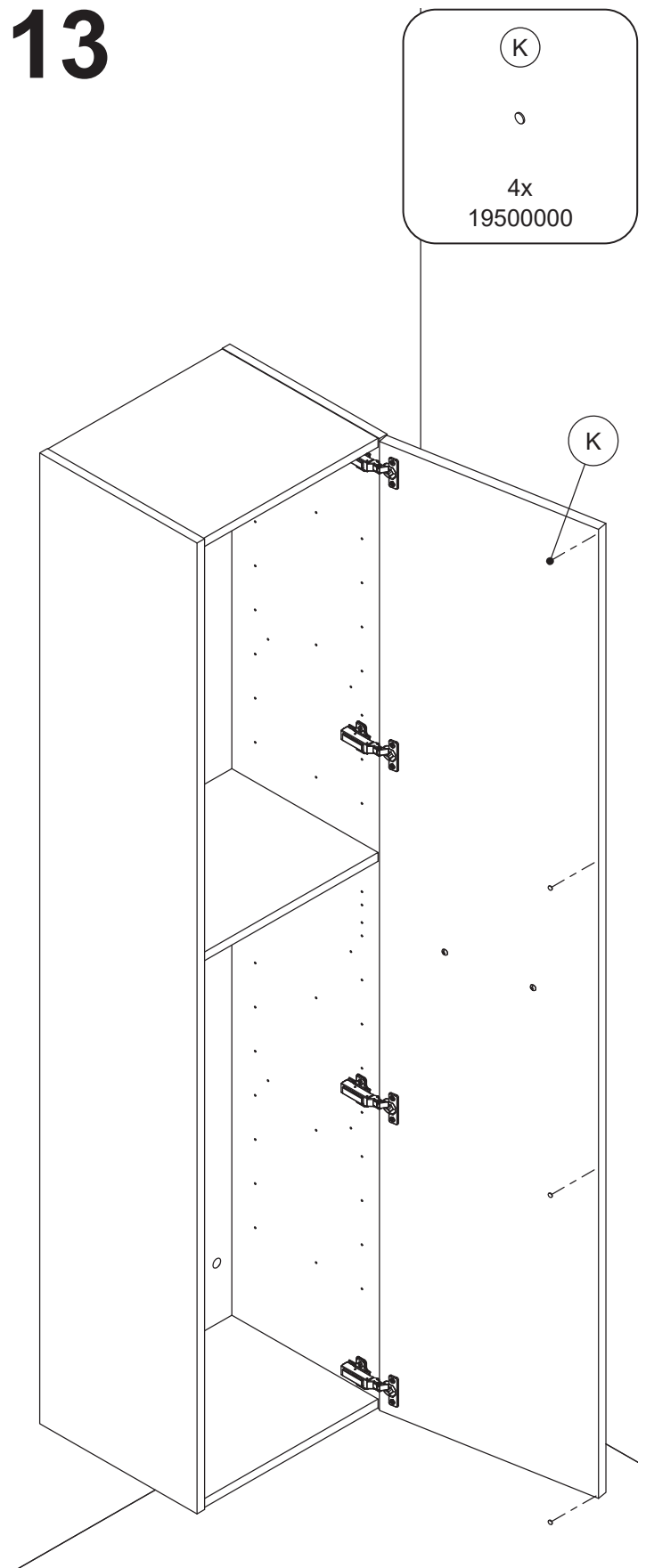
# 11

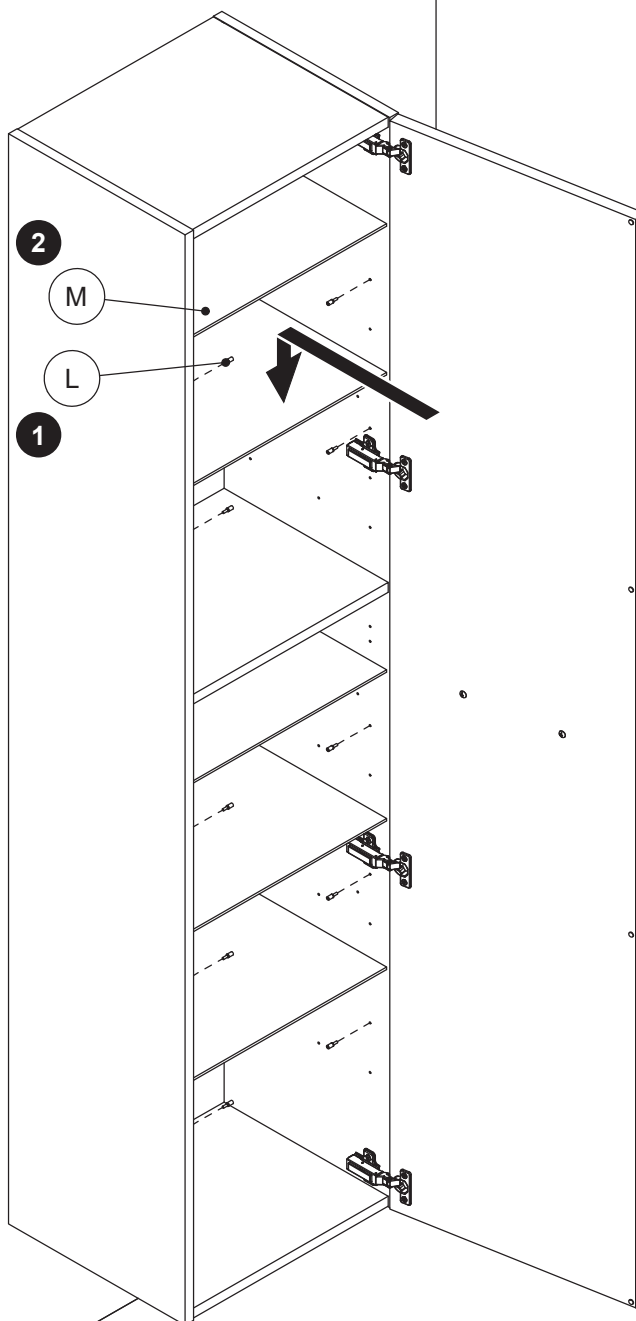
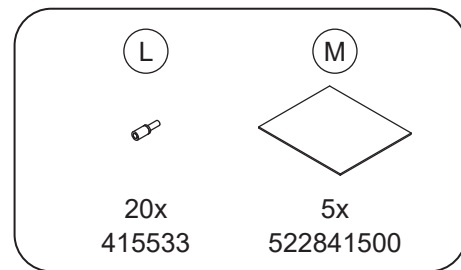


# 12



# 13





7 071544 002600