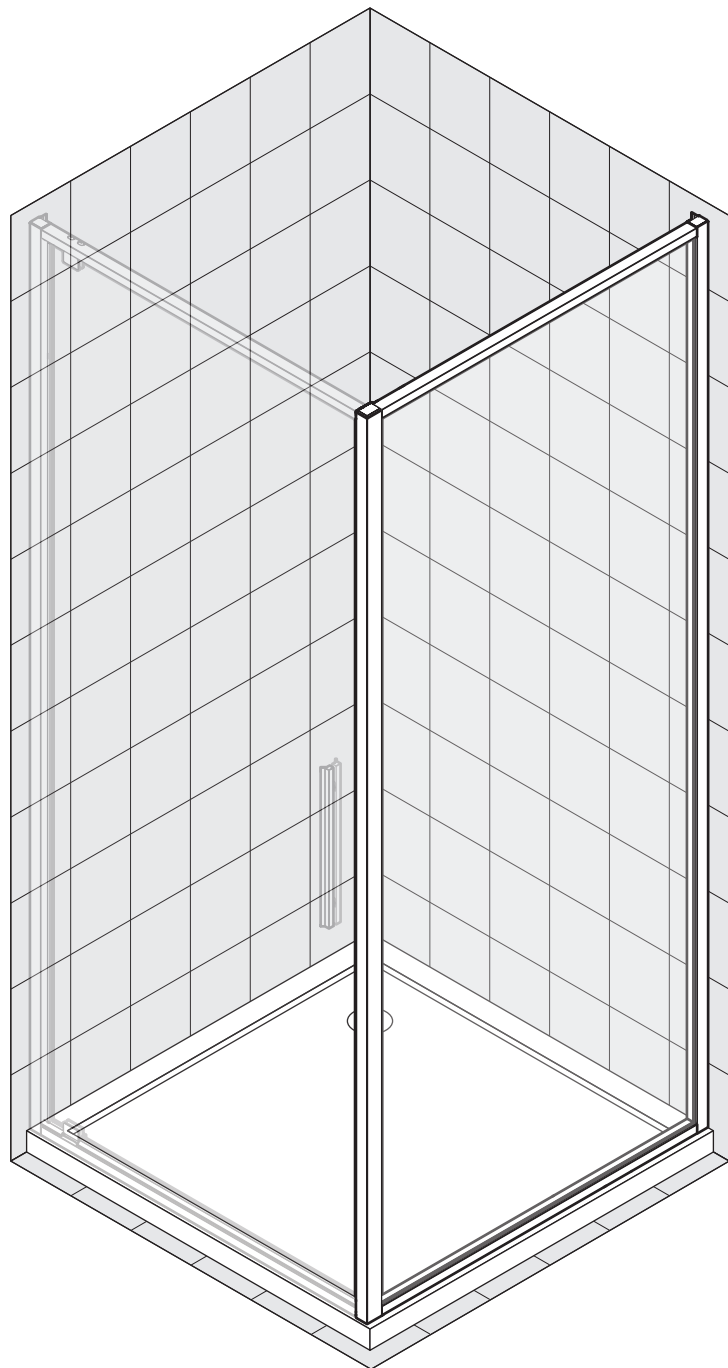
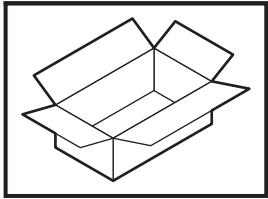
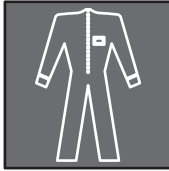
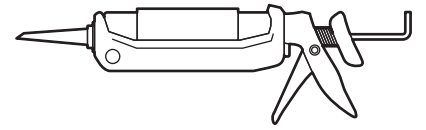
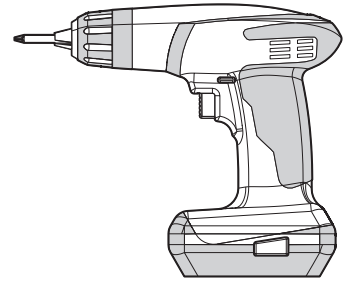
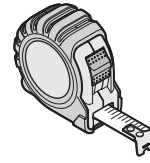
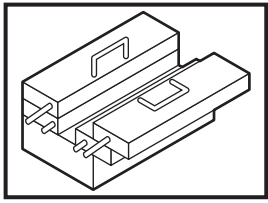


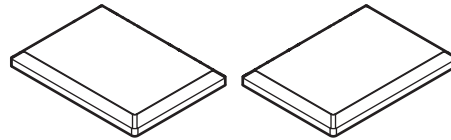
F



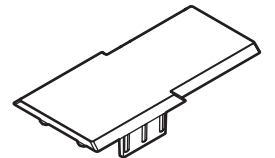
<hr/>	<hr/>
<hr/>	<hr/>
<hr/>	<hr/>
<hr/>	<hr/>



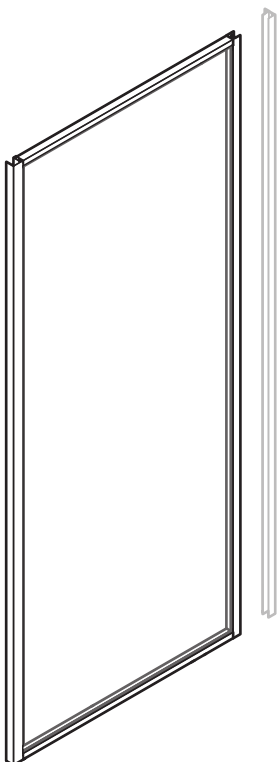
x3



x1



x1



S6 x2



3,5x9,5 x6



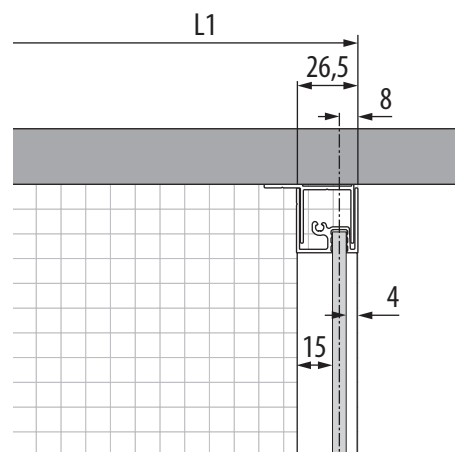
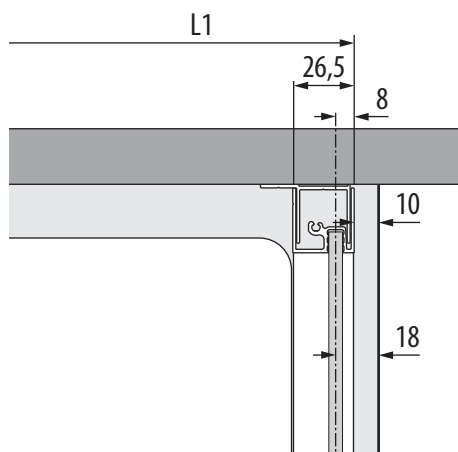
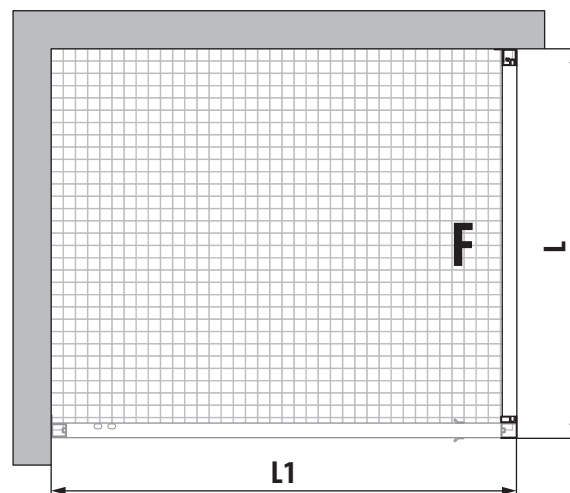
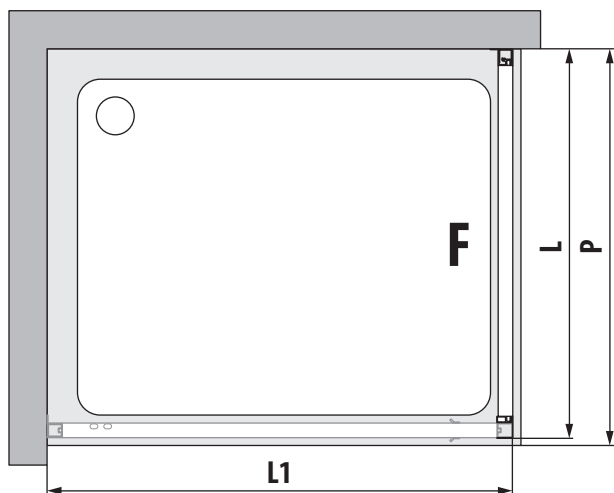
4x35 x2



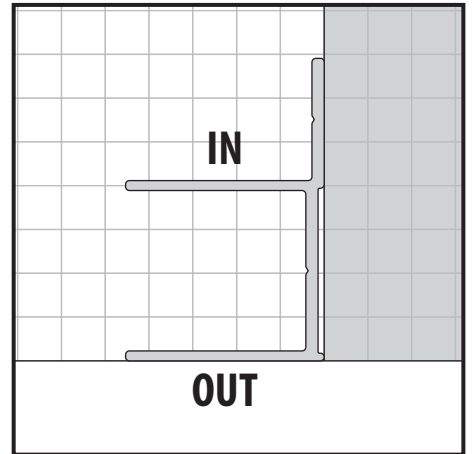
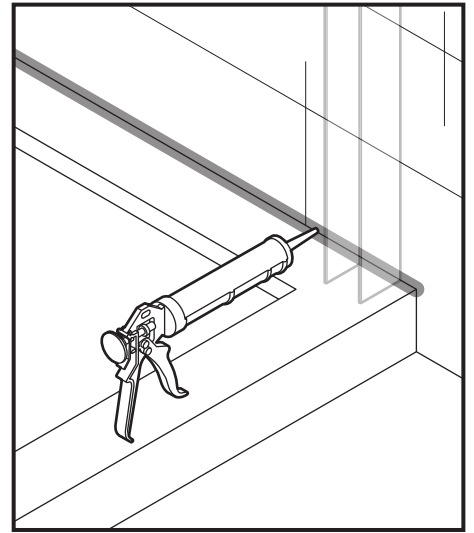
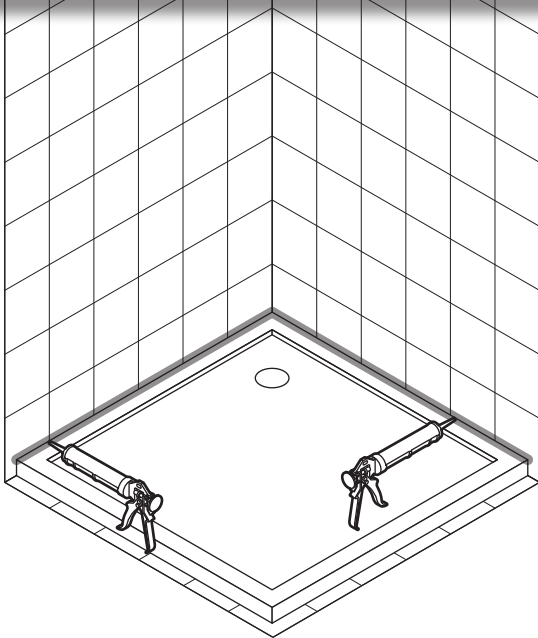
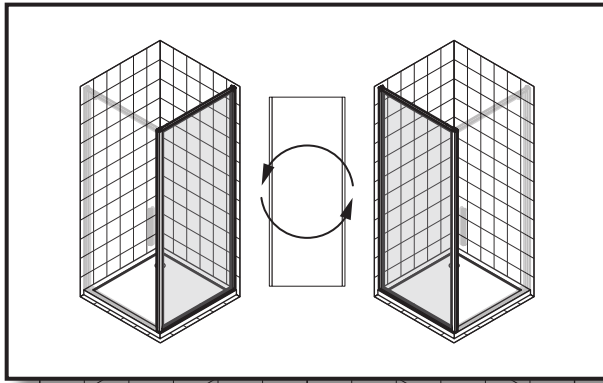
x3

F	P mm	L mm
67	685-700	675-690
69	700-715	690-705
72	735-750	725-740
74	750-765	740-755
77	785-800	775-790
79	800-815	790-805
82	835-850	825-840
87	885-900	875-890
89	900-915	890-905
92	935-950	925-940
97	985-1000	975-990
99	1000-1015	990-1005
107	1085-1100	1075-1090
109	1100-1115	1090-1105
117	1185-1200	1175-1190
119	1200-1215	1190-1205

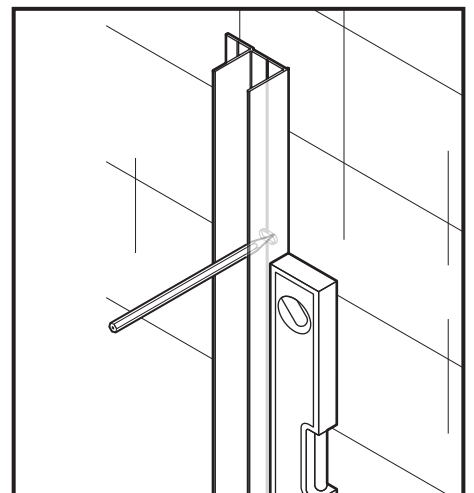
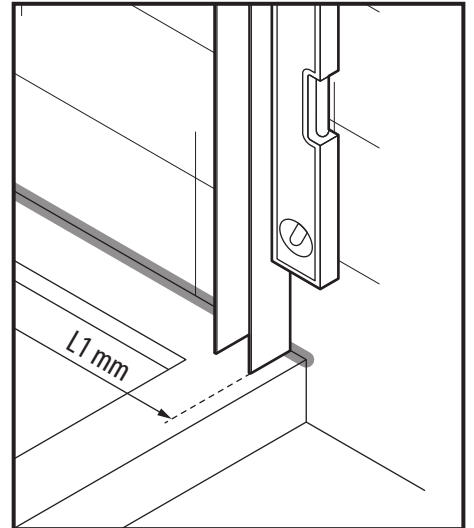
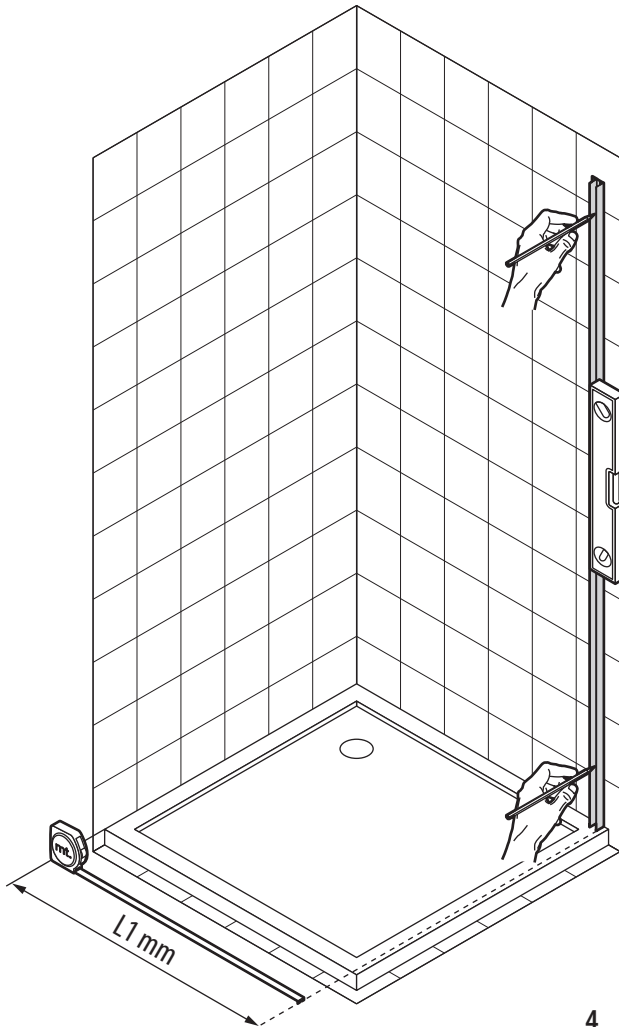
F	L mm
67	675-690
69	690-705
72	725-740
74	740-755
77	775-790
79	790-805
82	825-840
87	875-890
89	890-905
92	925-940
97	975-990
99	990-1005
107	1075-1090
109	1090-1105
117	1175-1190
119	1190-1205



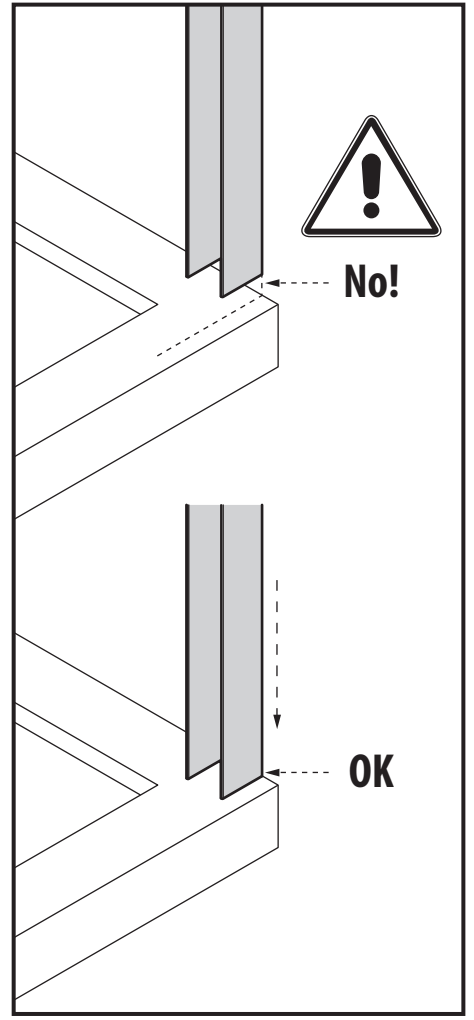
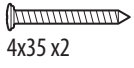
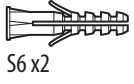
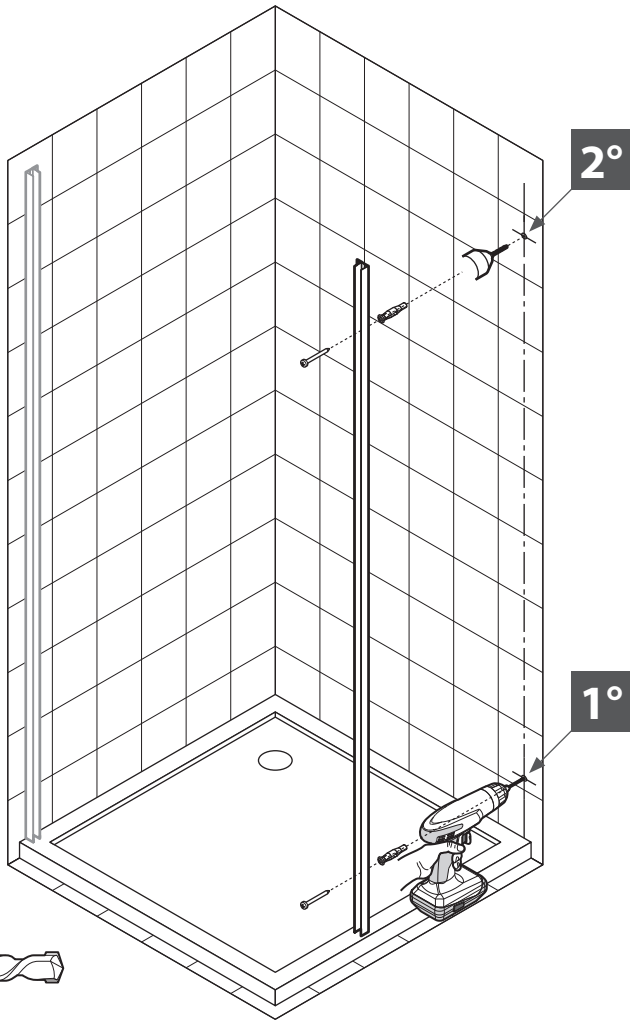
1



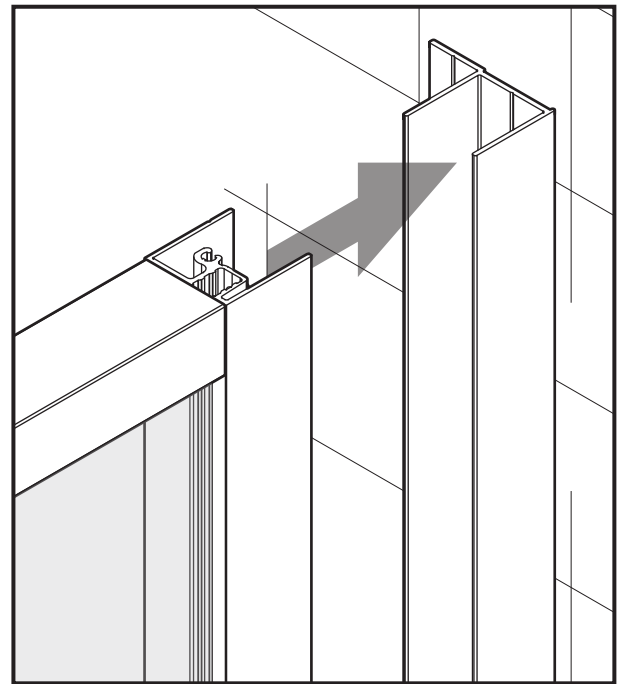
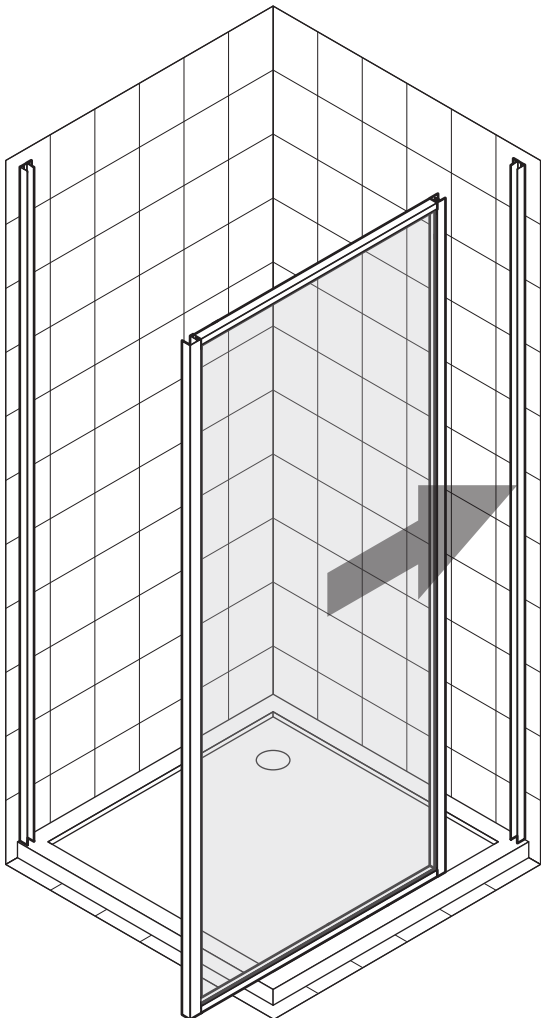
2



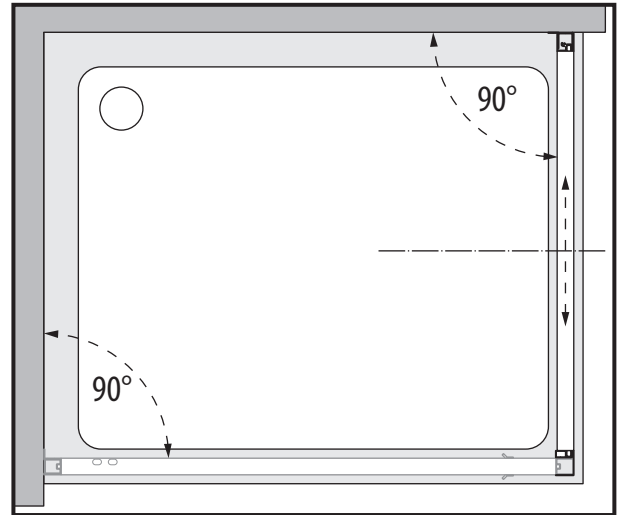
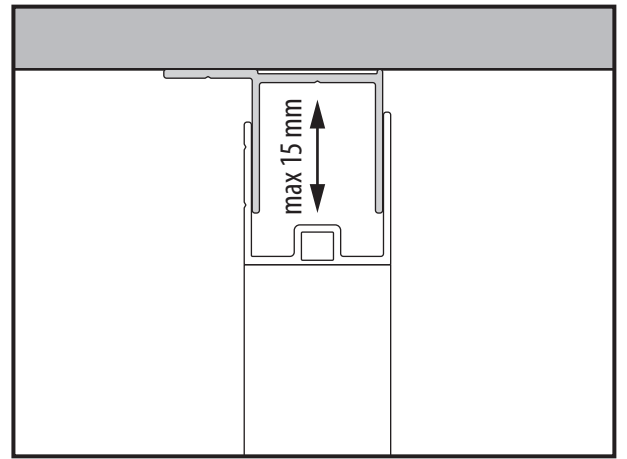
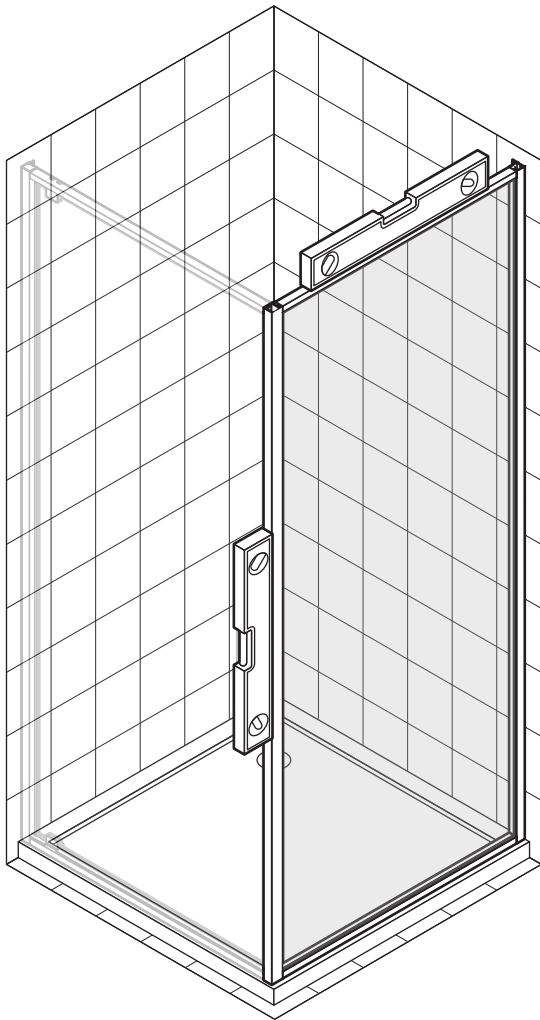
3



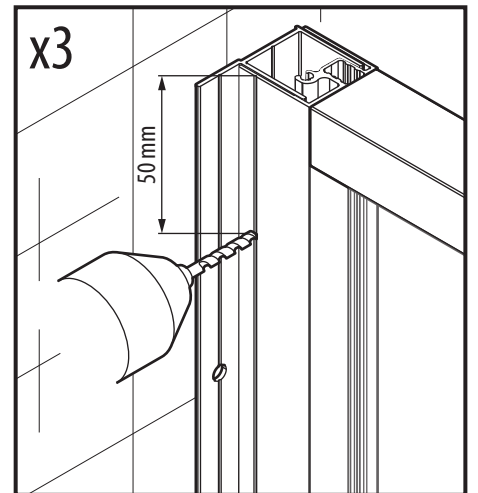
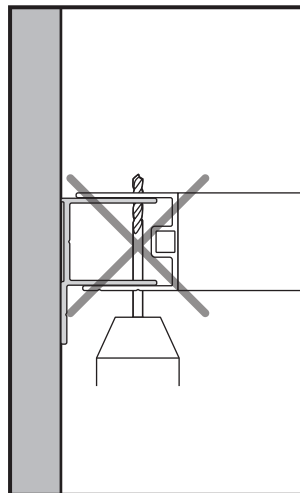
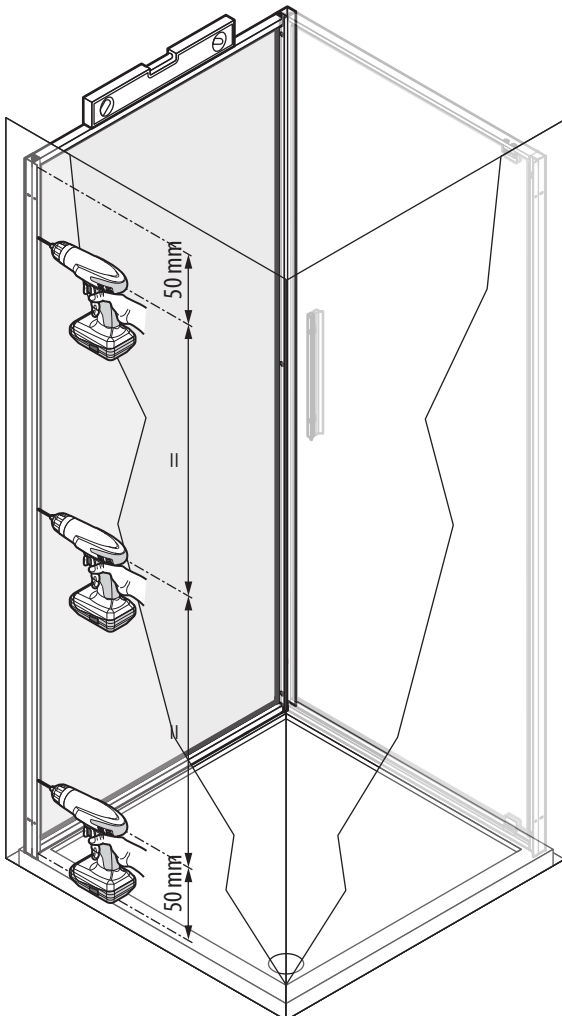
4



5



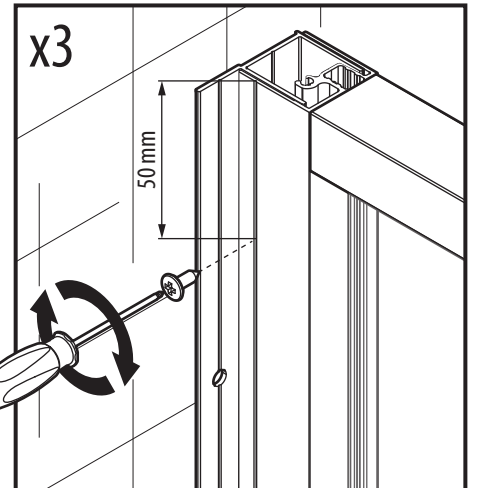
6



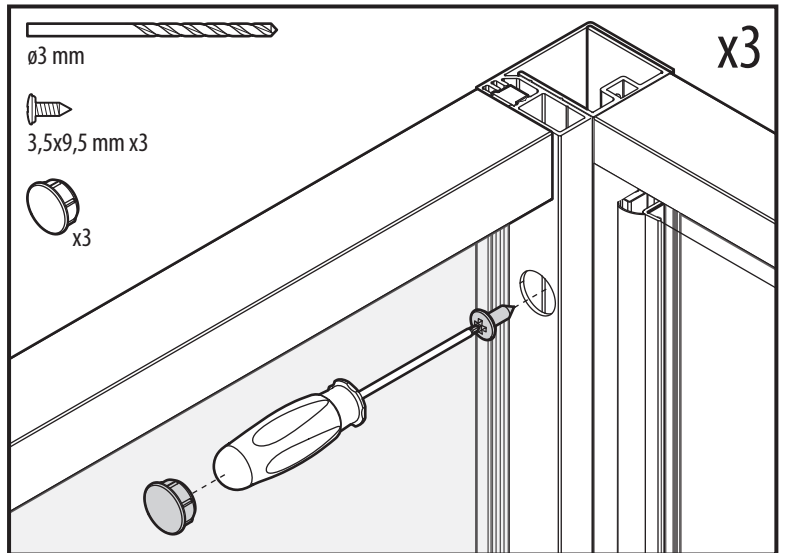
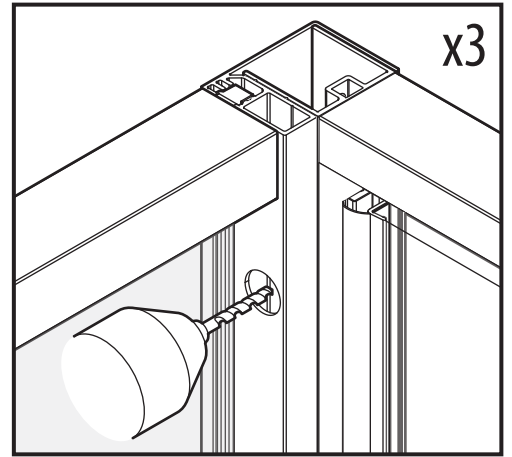
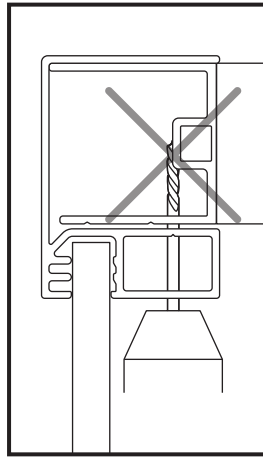
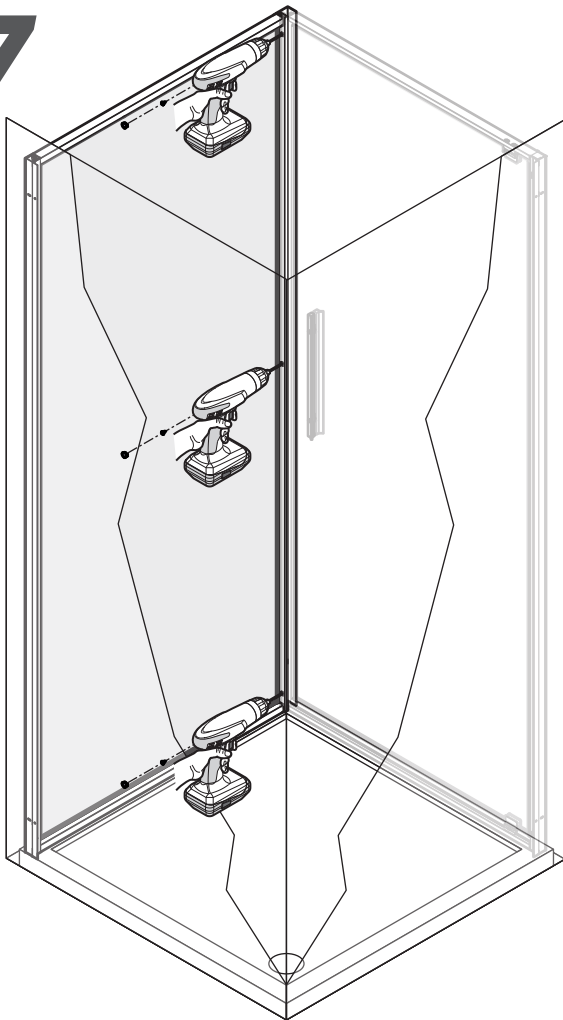
Ø3 mm

3,5x9,5 mm x3

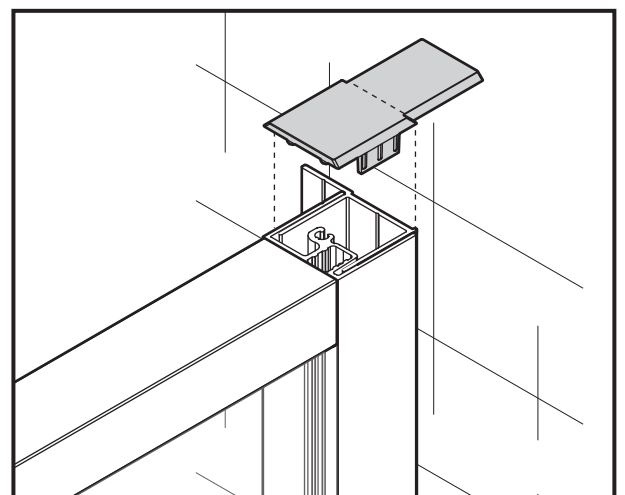
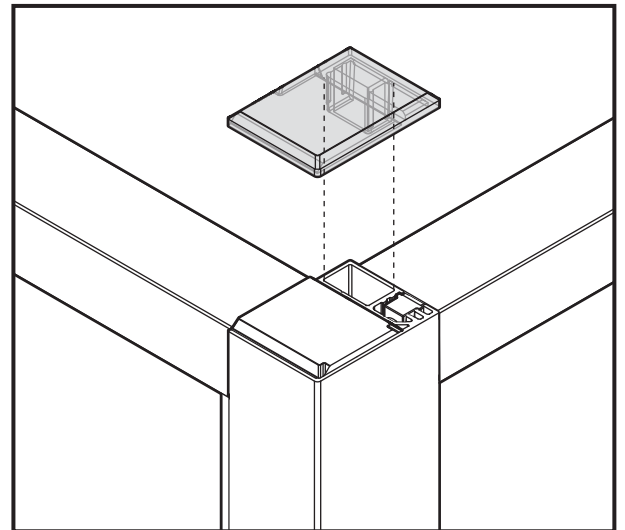
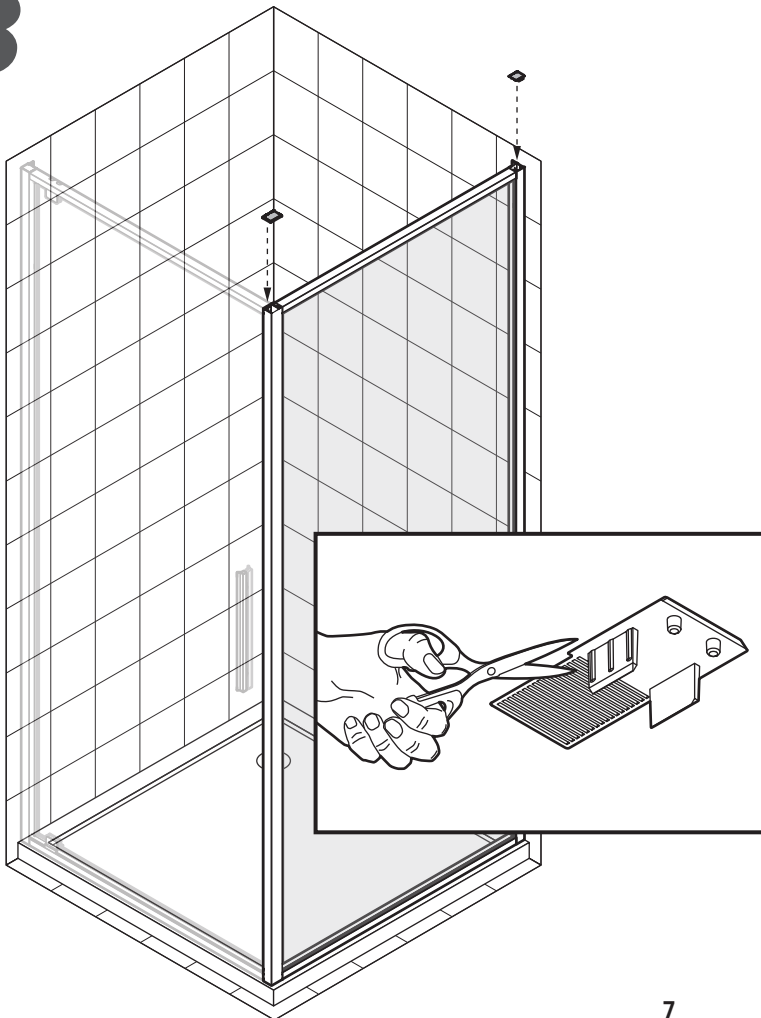
x3



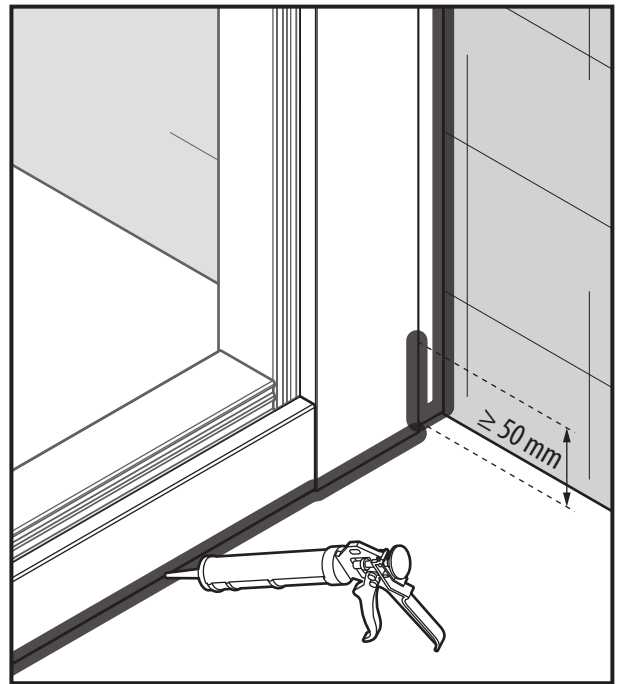
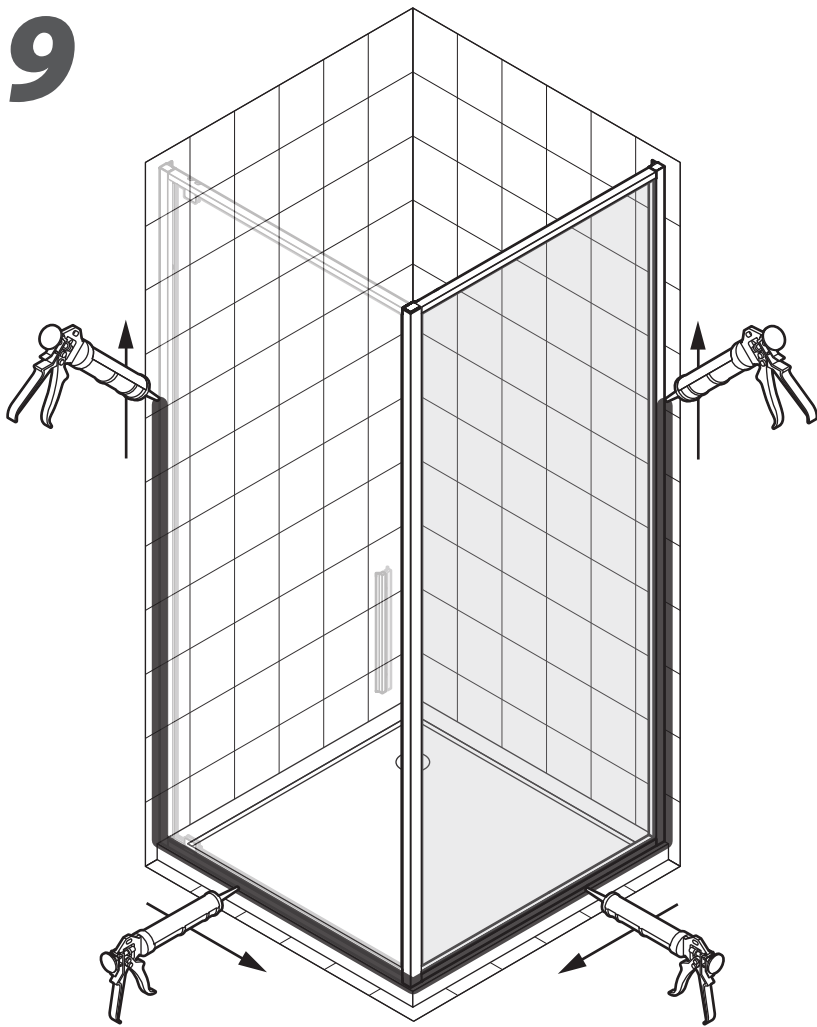
7



8



9



10

Optional

