

ARM7368 ED2 Built-in

ARM7368 Chrome

Article Number

ARM7368 Chrome - 9426737
ARM7368 Matte Black - 9426738
ARM7368 Brass - 9426739
ARM7368 Copper - 9426740
ARM7368 Bronze - 9426741
ARM7368 Black Chrome - 9426742
ARM7368 Honey Gold - 9426743
ARM7368 Brushed Black Chrome - 9426744
ARM7368 Brushed Nickel - 9426745

Shower system with pressure balanced thermostatic mixer.



Cleaning

Wipe the surface with a soft cloth and lukewarm water and possibly with soap solution. Avoid alkaline, acid-liming or abrasive cleaners.

Brass is a material that over time gets a beautiful patina but can be polished with brass polish. Copper also gets patina but should not be polished. The other shiny surfaces retain their luster.

Decalcification

Aerators and shower handles should be regularly decalcified by placing them in a vinegar bath for a couple of hours. Should limescale stains occur, use eucalyptus oil and a soft cloth.

Lubrication

Lubricate only with silicone grease.

Maintenance

Visit our [YouTube channel](#) → where there are instructional videos for changing the ceramic cartridge, changing aerators and more.

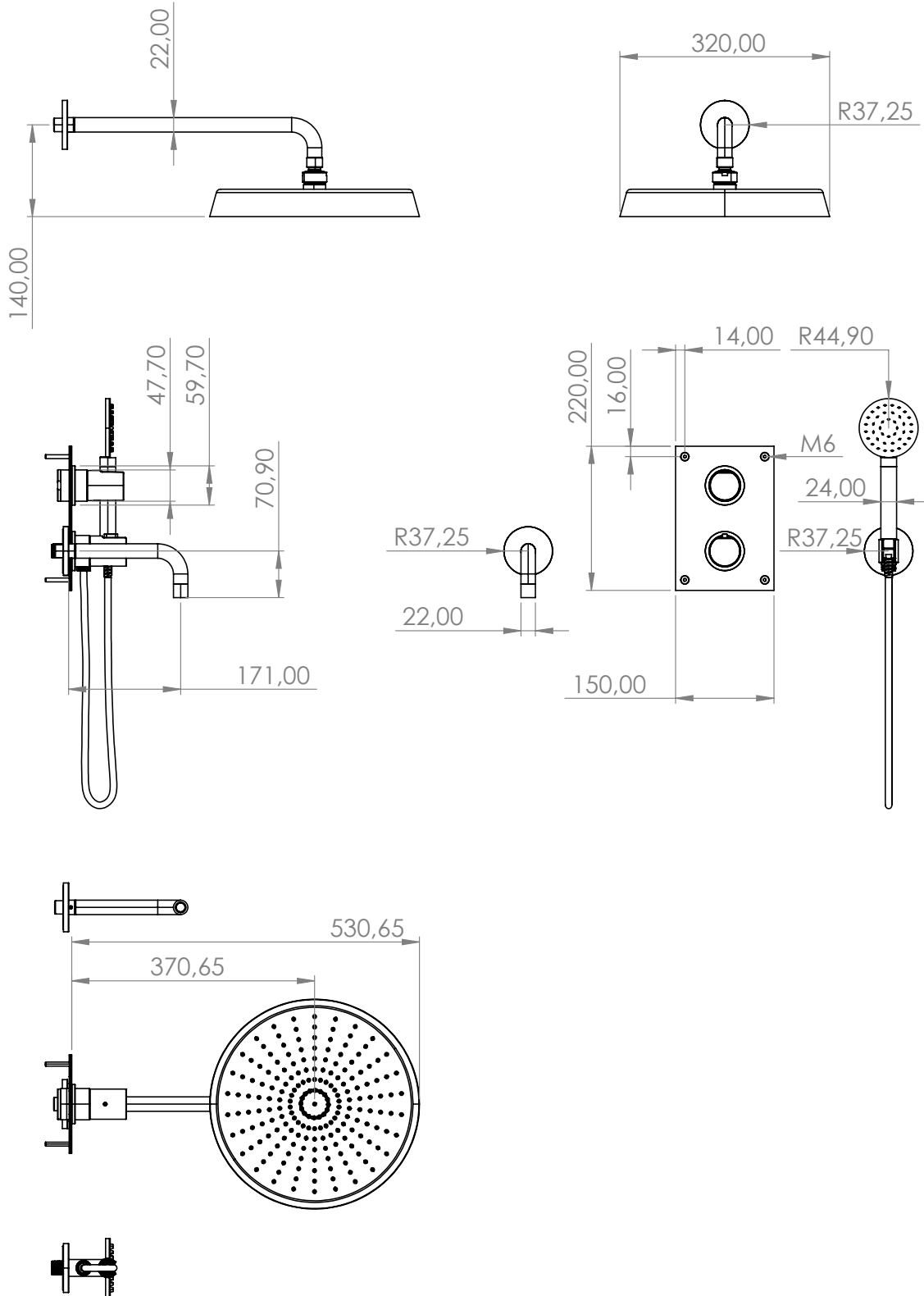
Specifications

Built in - Yes

Thermostat - Yes

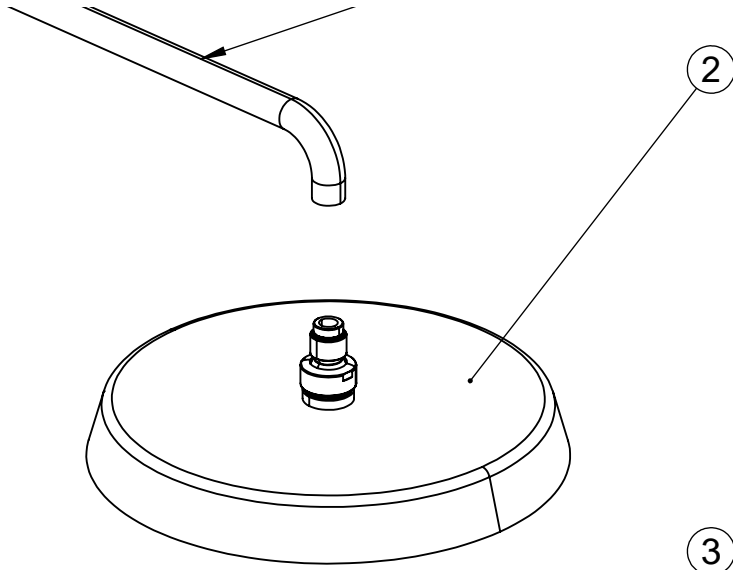
Tapwell

Drawing - PDF

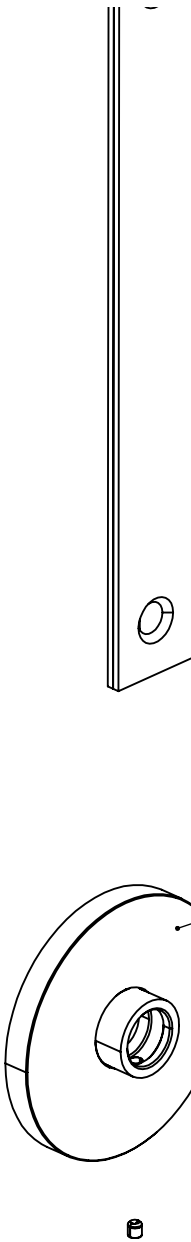
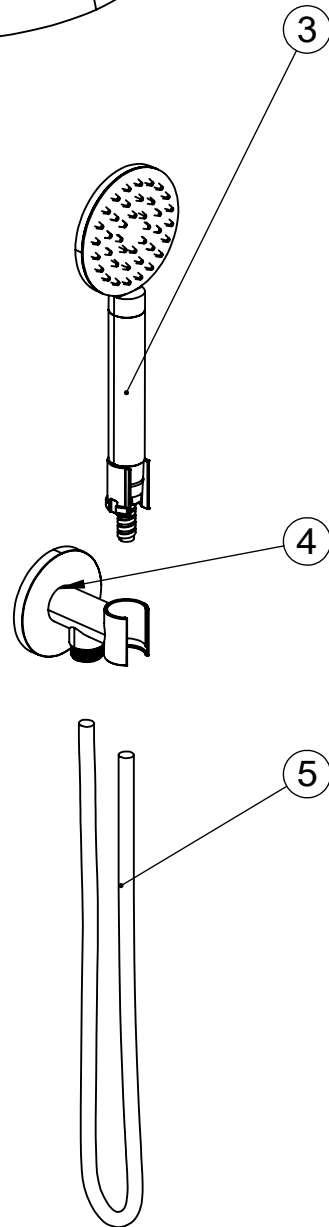
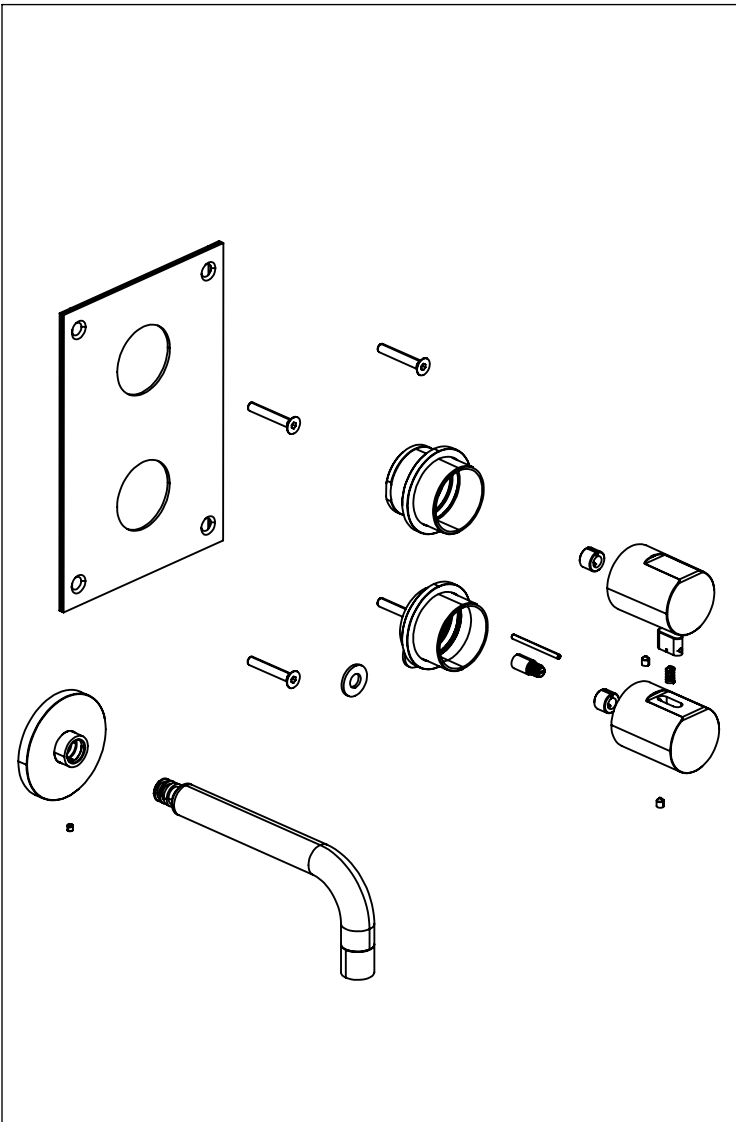


Tapwell

Exploded View



A



B