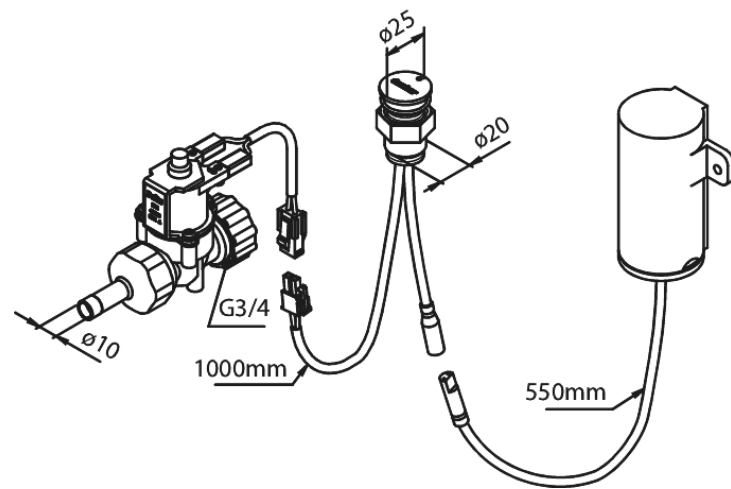


Kitchen Accessories

Electronic Shut Off Valve

Article no.: 484086600
Finish: Steel
Series: Kitchen Accessories

EAN no.:



FM Mattsson Denmark ApS
Hvidkærvej 48, 5250 Odense SV, DK-56416218

+45 88 33 00 34 damixa-international@fmm-mora.com

Mere information på damixa.com

damixa