

Concealed

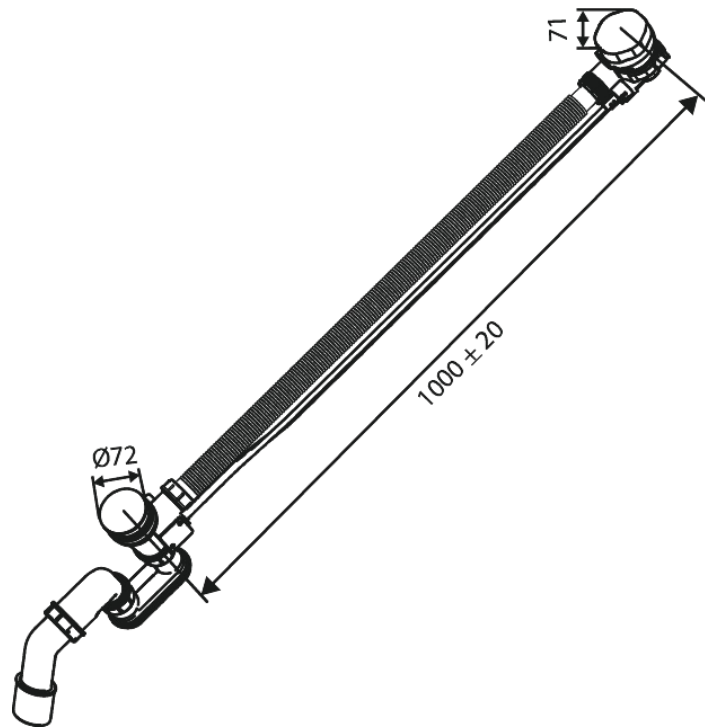
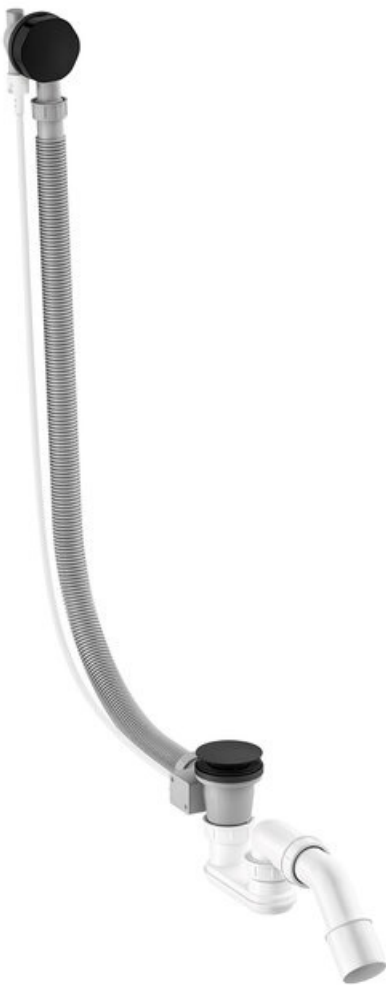
# Bath waste - loose item

**Article no.:** 238806100  
**Finish:** Matt black  
**Series:** Concealed

**EAN no.:** 5708516841753

## Standard features:

Water consumption max 47 l/min



FM Mattsson Denmark ApS  
Hvidkærvej 48, 5250 Odense SV, DK-56416218

+45 88 33 00 34 [damixa-international@fmmattsongroup.com](mailto:damixa-international@fmmattsongroup.com)

Mere information på [damixa.com](http://damixa.com)

**damixa**