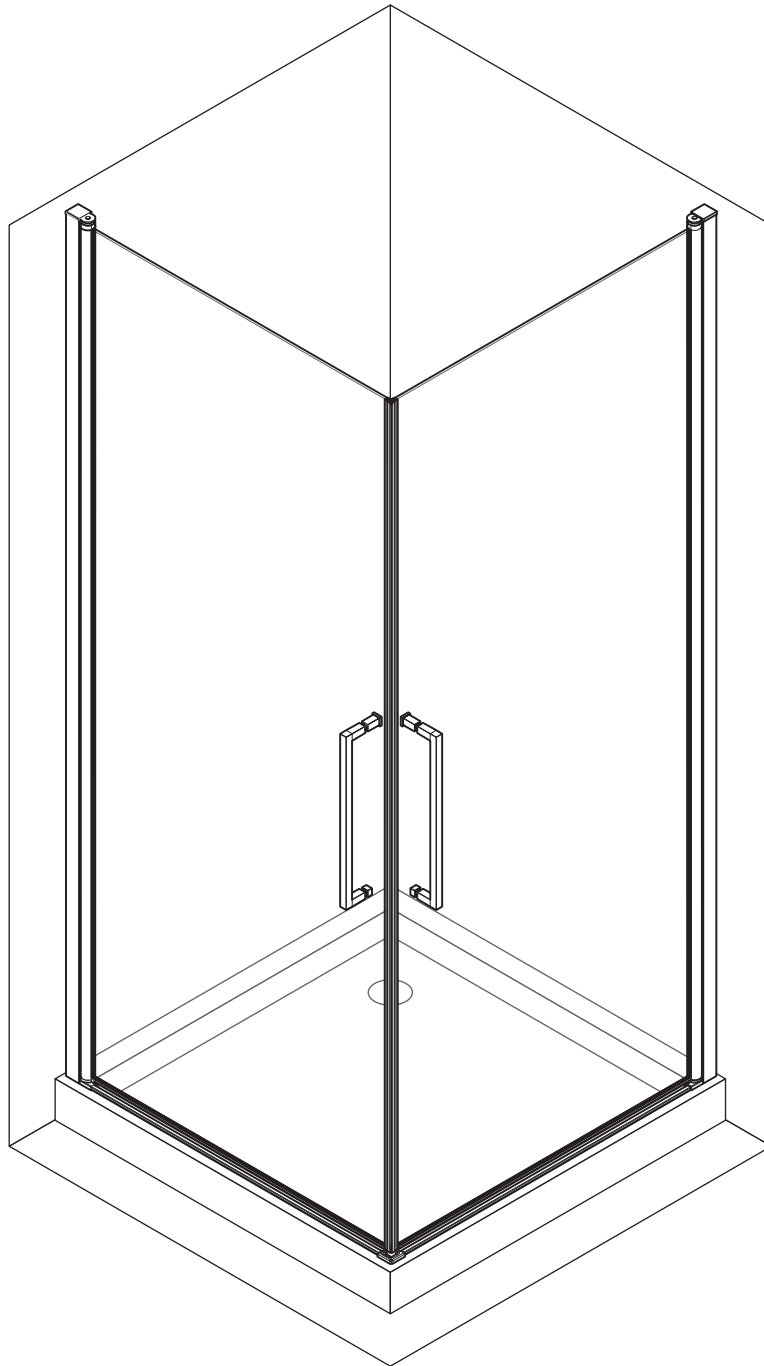
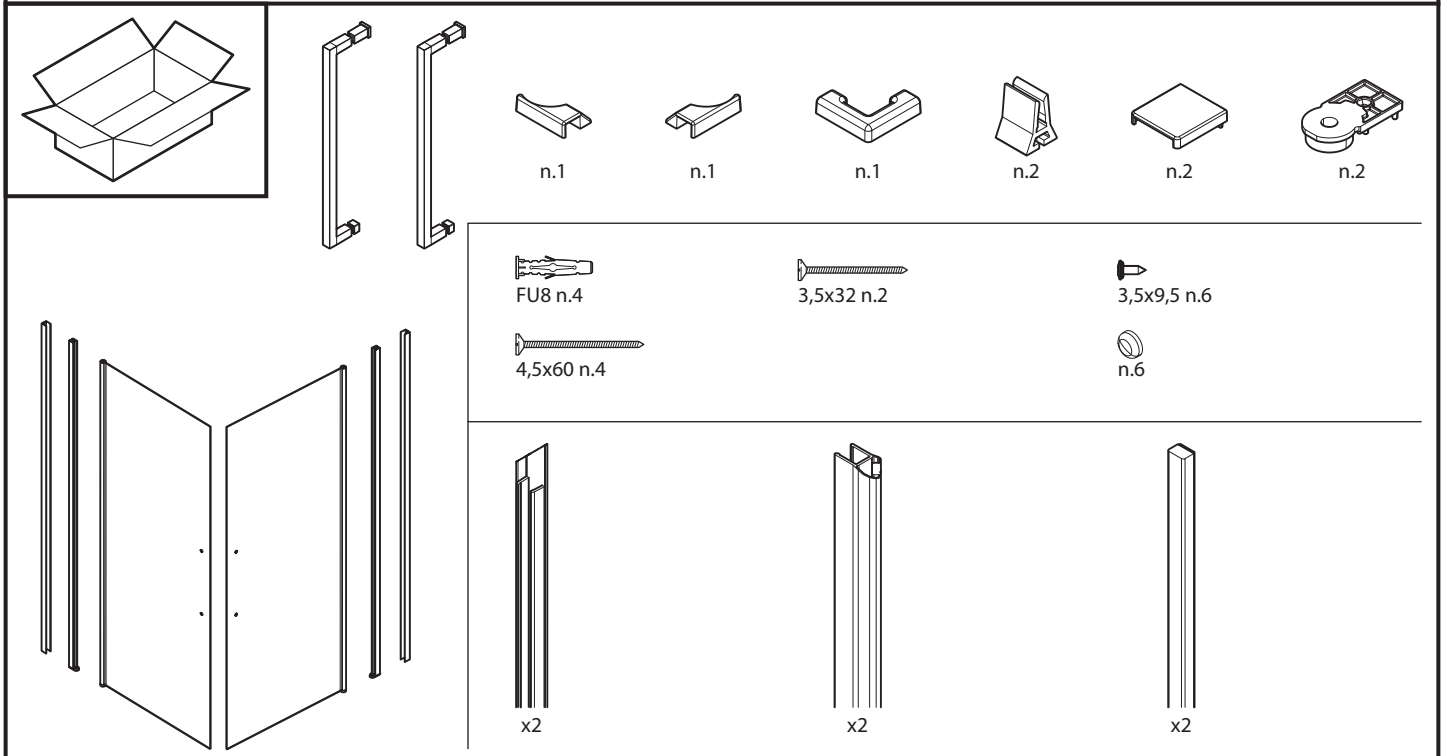
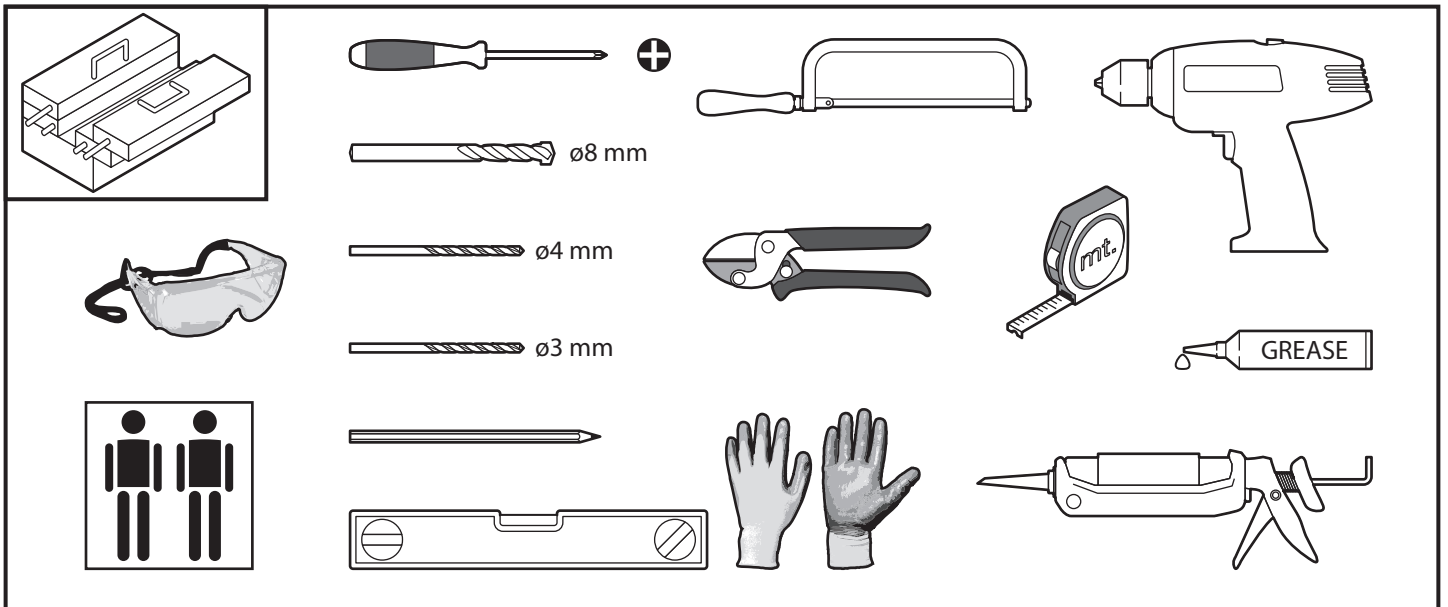


**YOUNG 2.0**

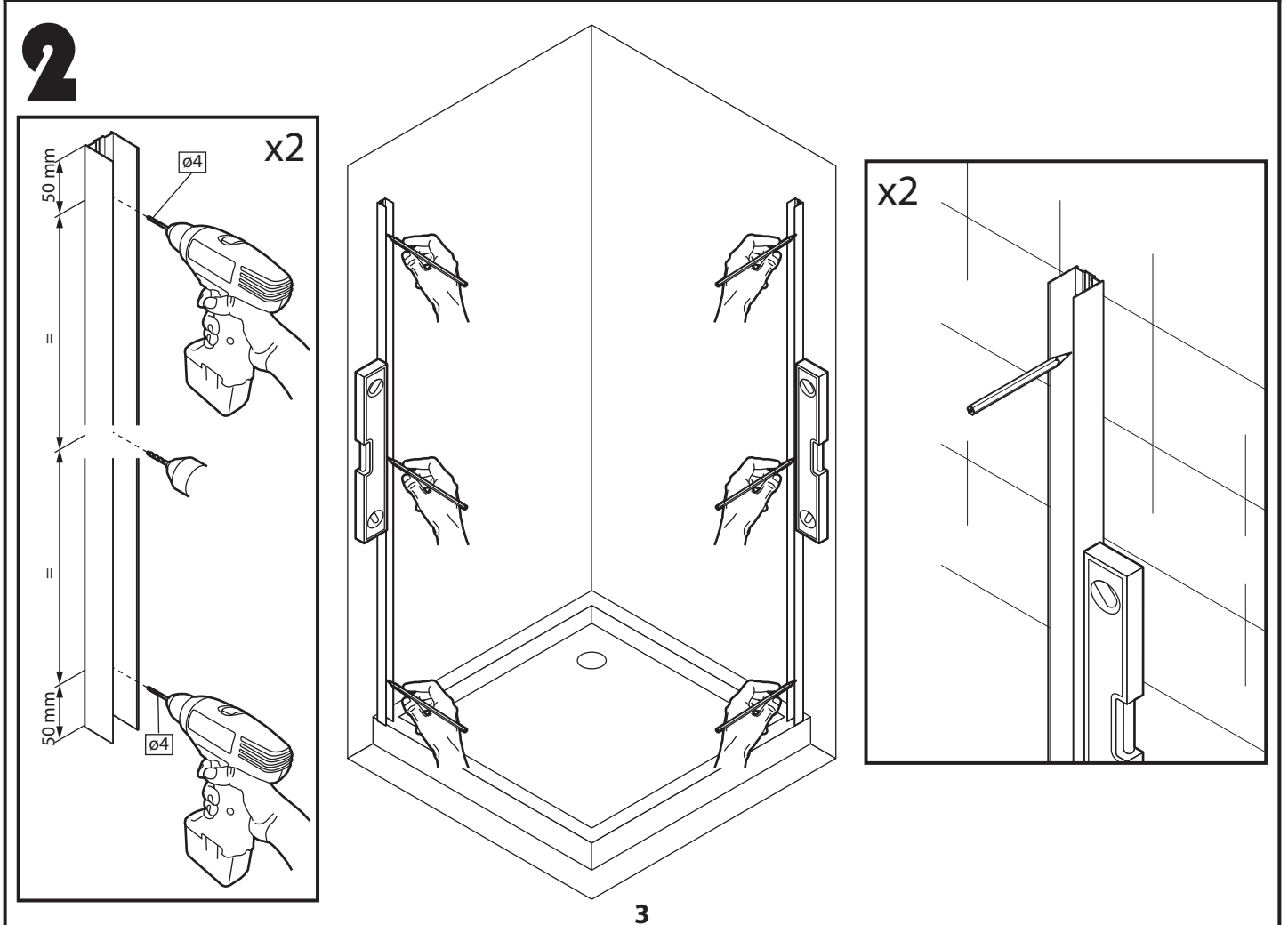
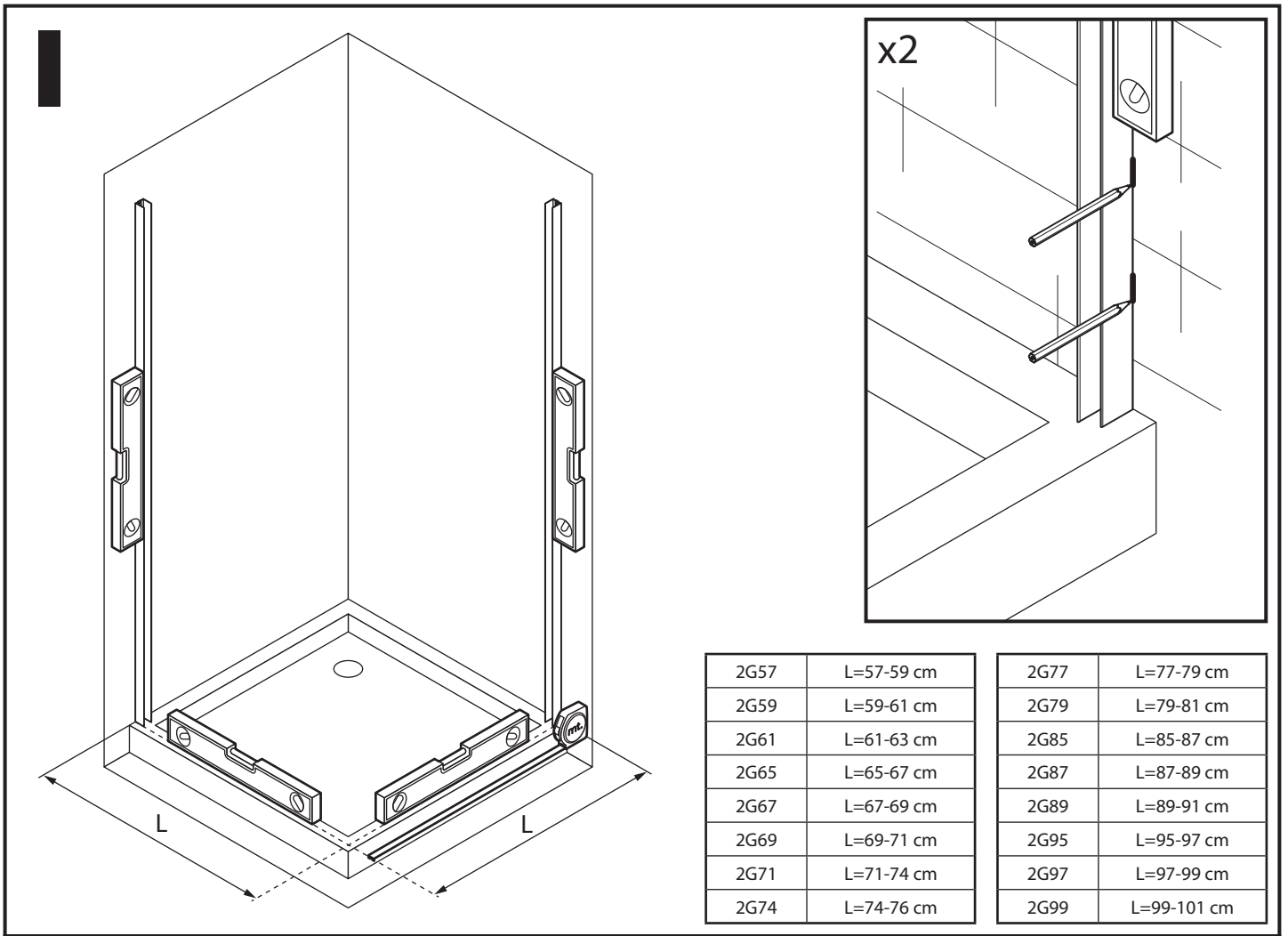
**2G**



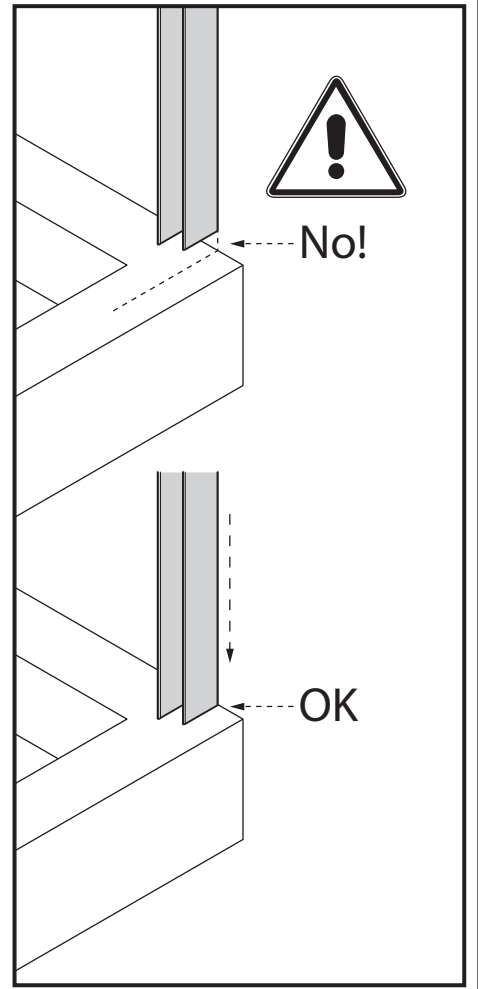
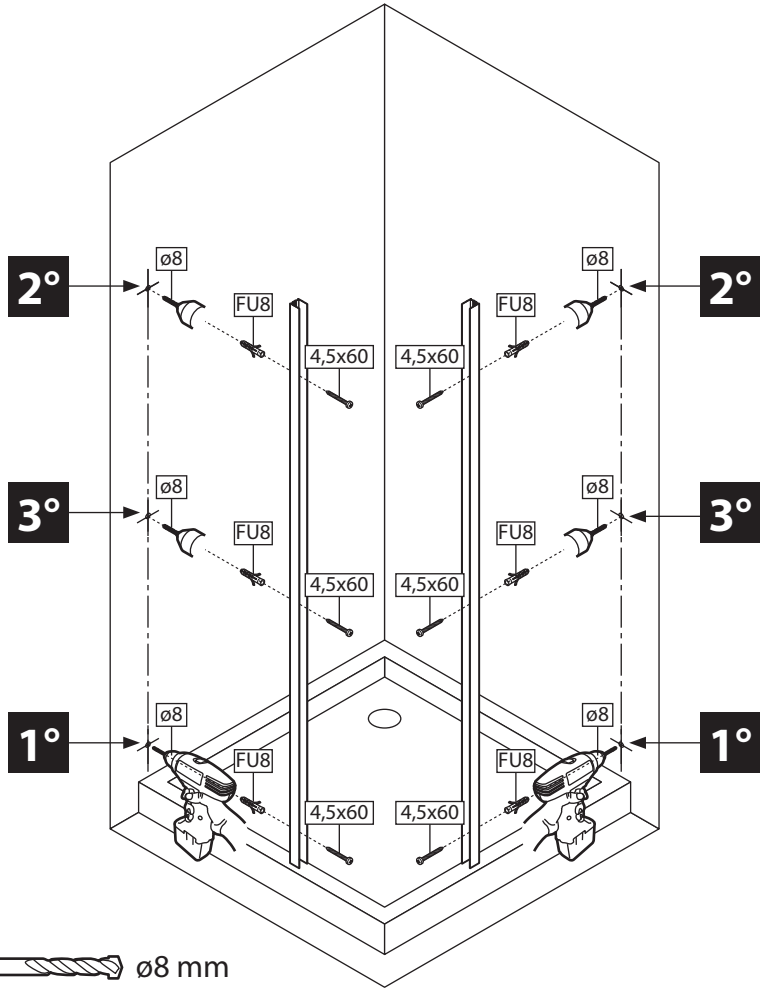
<hr/> <hr/> <hr/> <hr/>	<hr/> <hr/> <hr/> <hr/>
-------------------------	-------------------------



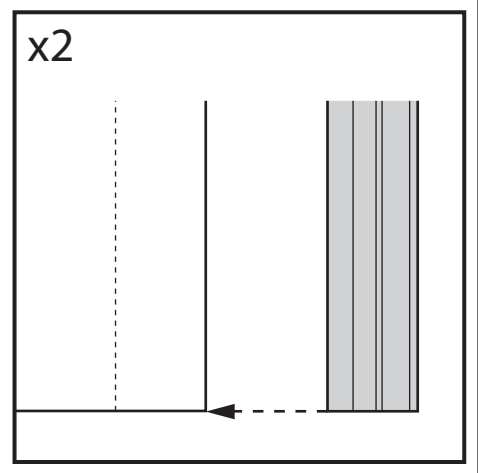
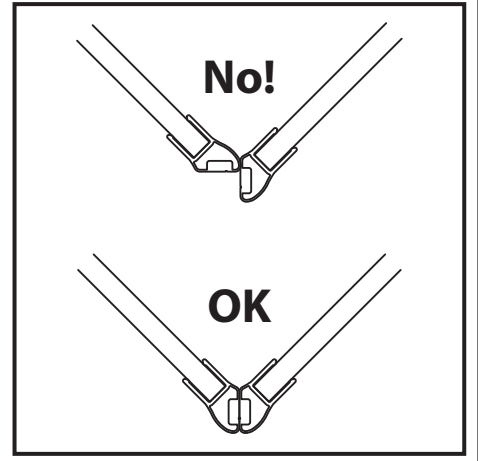
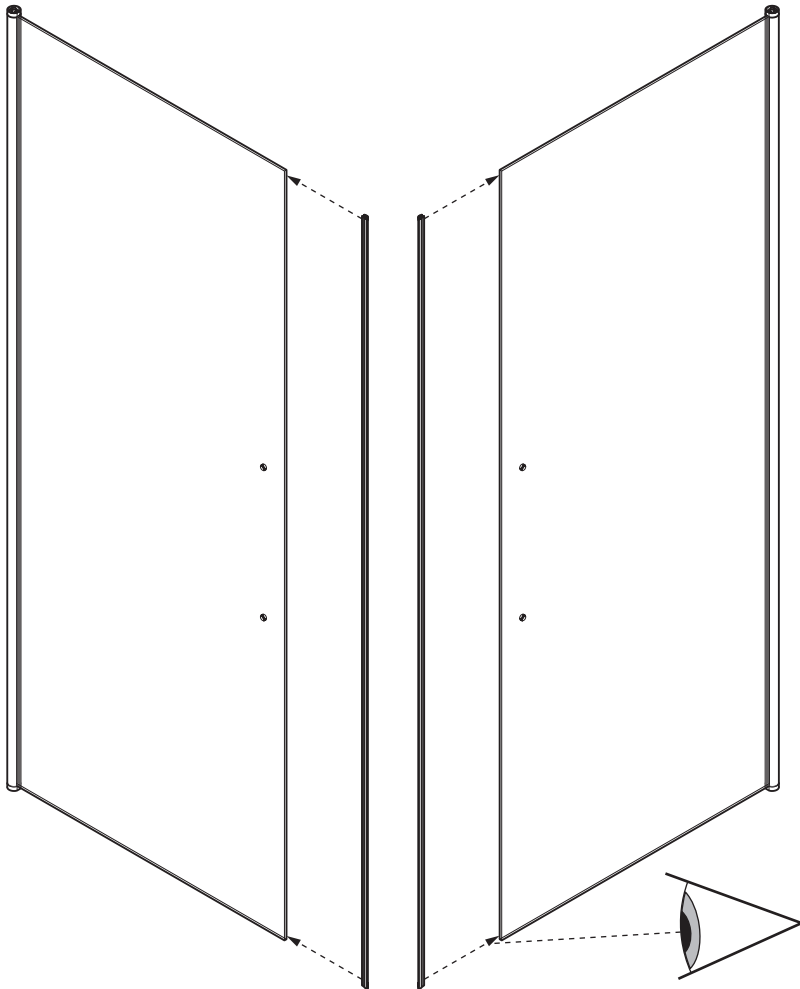
2G57	L=57-59 cm
2G59	L=59-61 cm
2G61	L=61-63 cm
2G65	L=65-67 cm
2G67	L=67-69 cm
2G69	L=69-71 cm
2G71	L=71-74 cm
2G74	L=74-76 cm
2G77	L=77-79 cm
2G79	L=79-81 cm
2G85	L=85-87 cm
2G87	L=87-89 cm
2G89	L=89-91 cm
2G95	L=95-97 cm
2G97	L=97-99 cm
2G99	L=99-101 cm



# 3

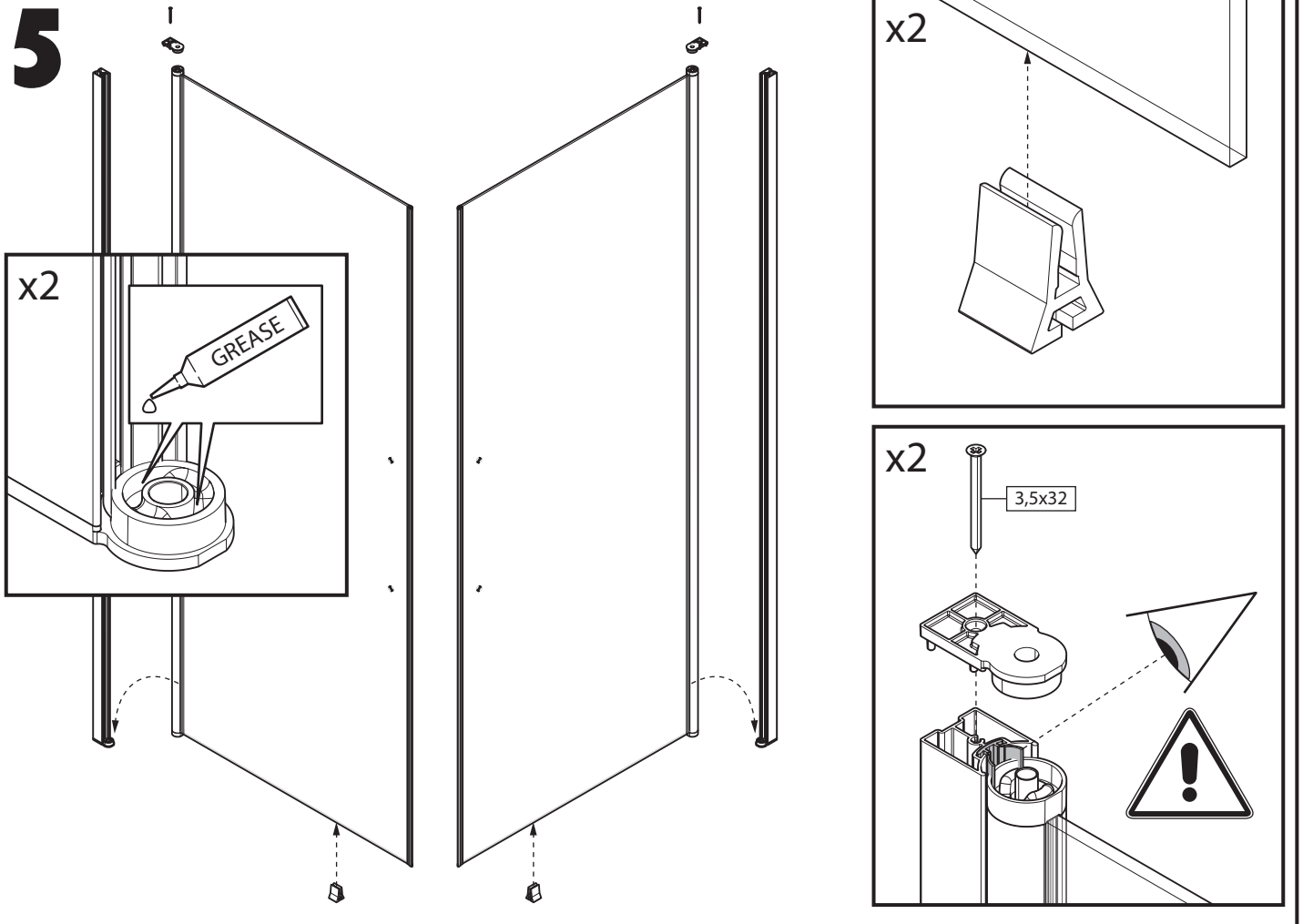


# 4

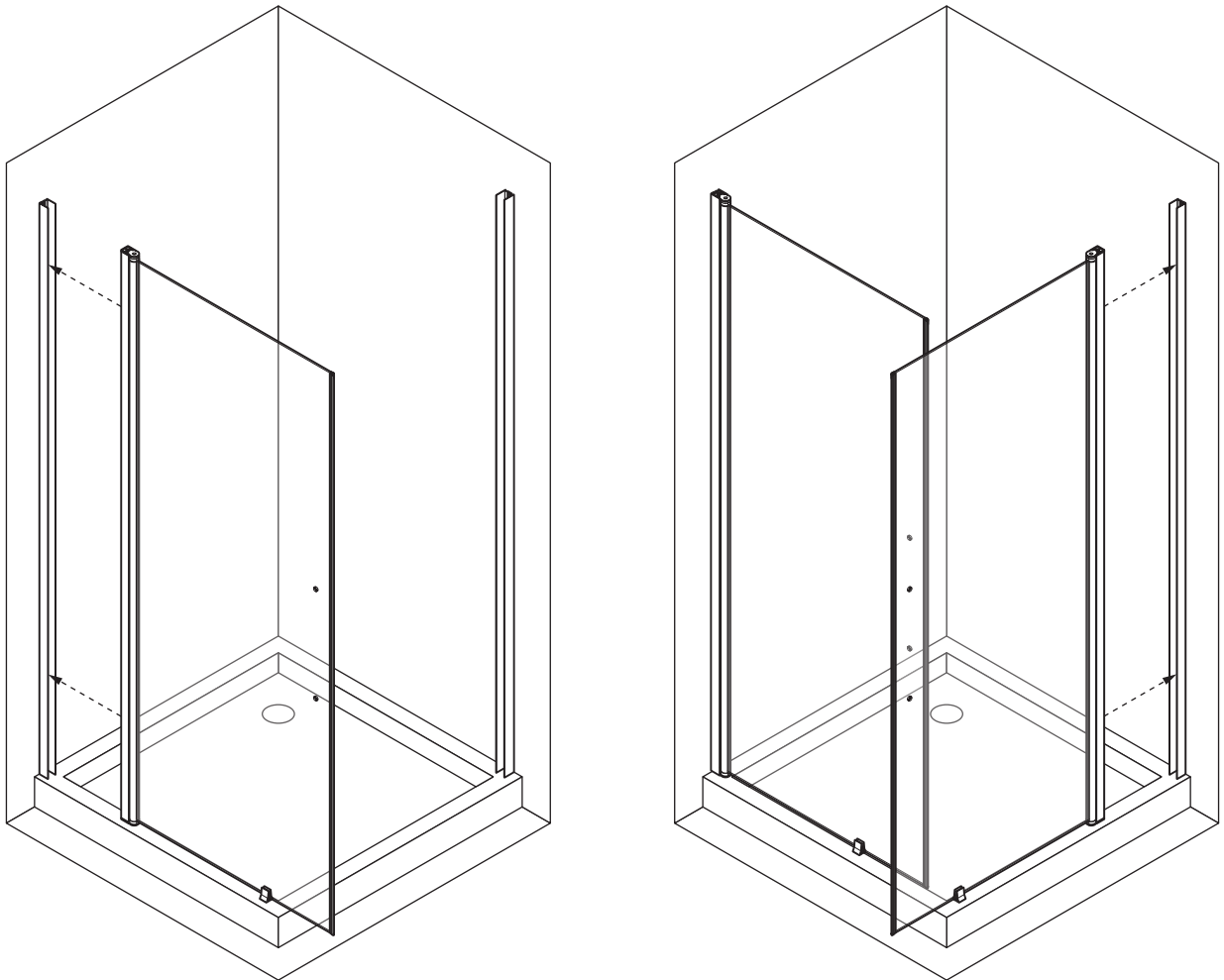


4

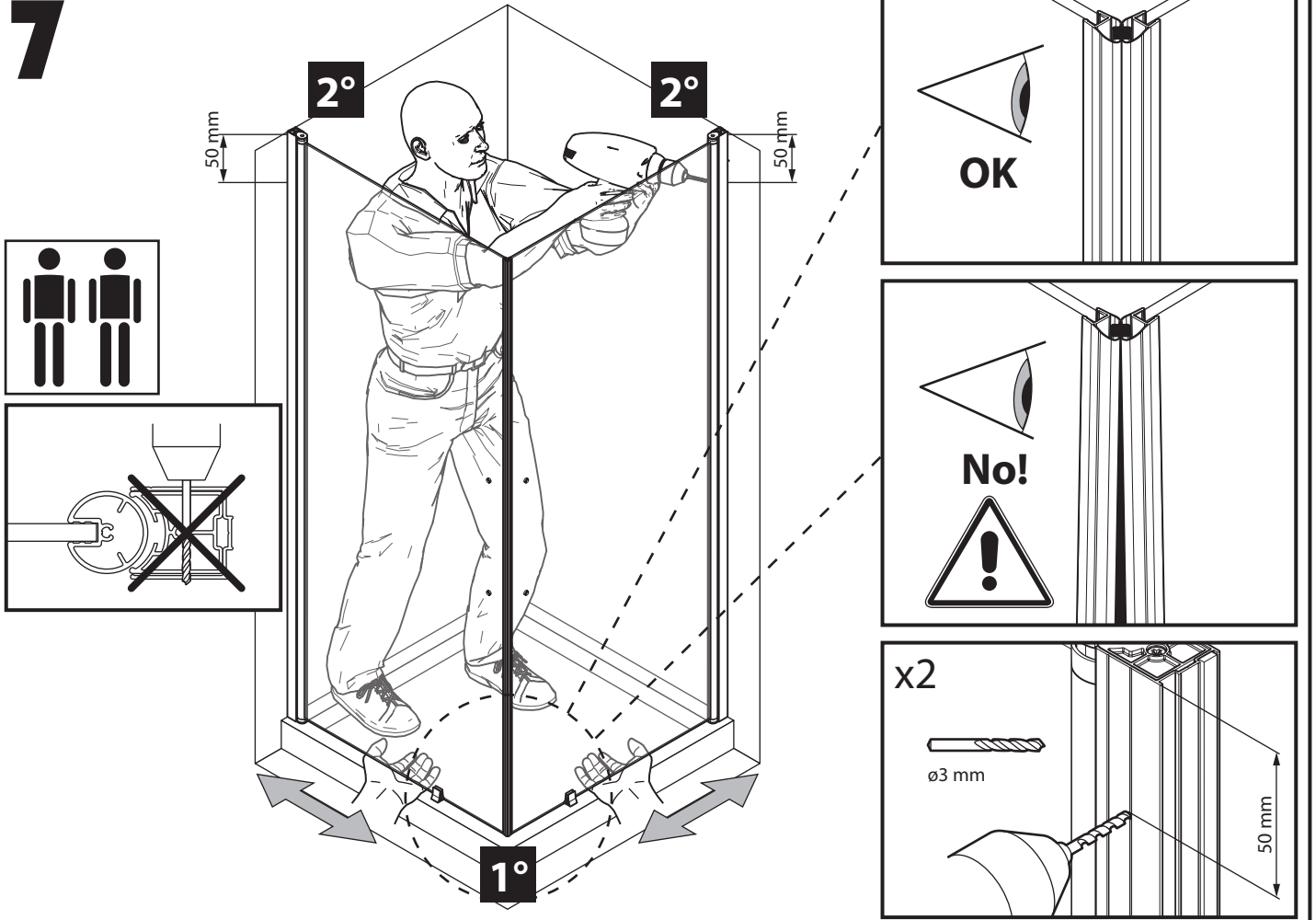
**5**



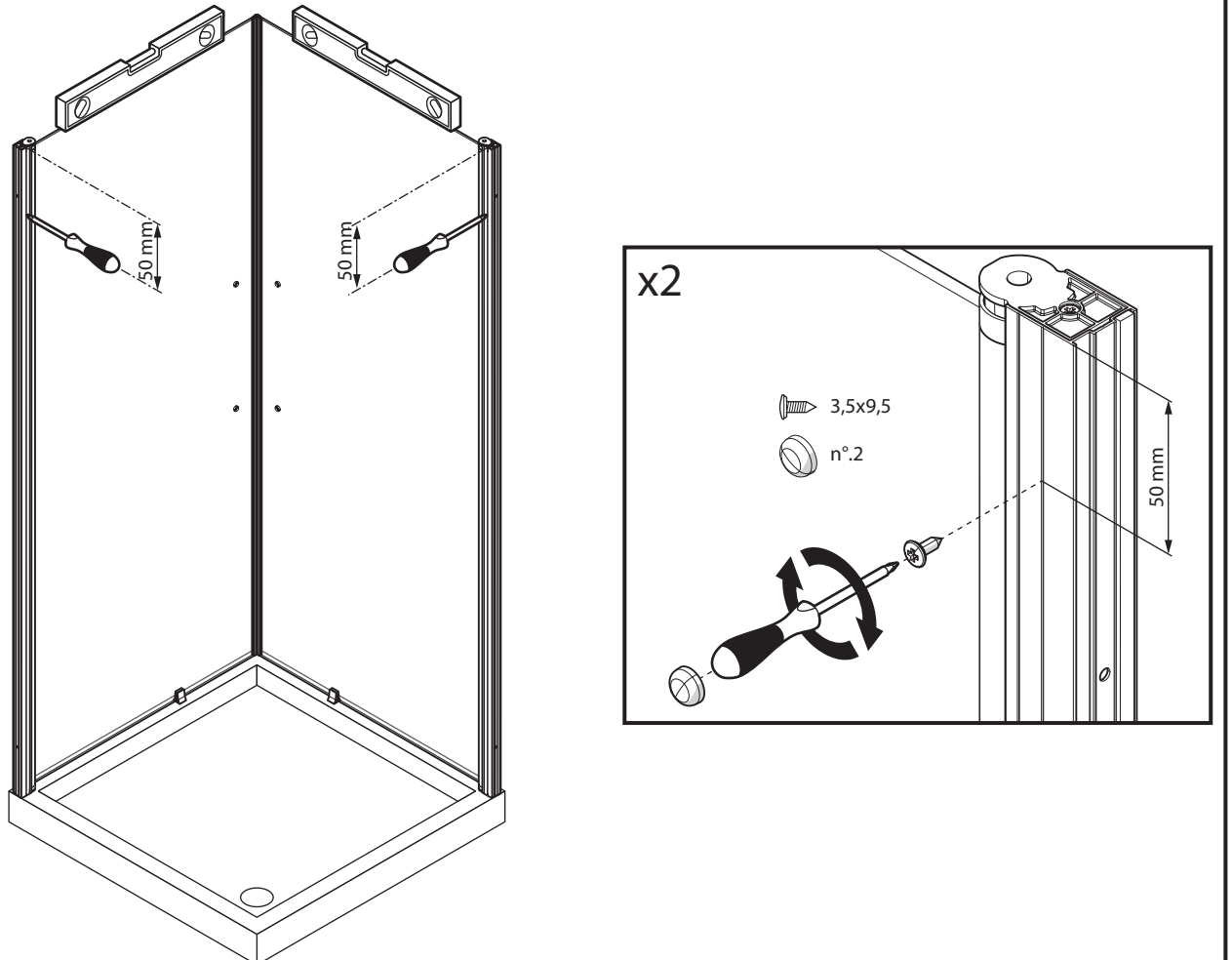
**6**



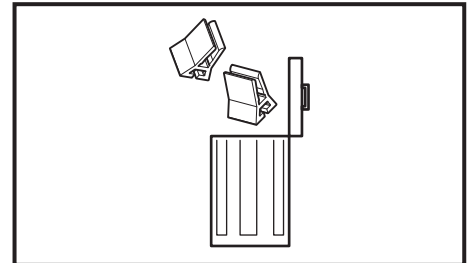
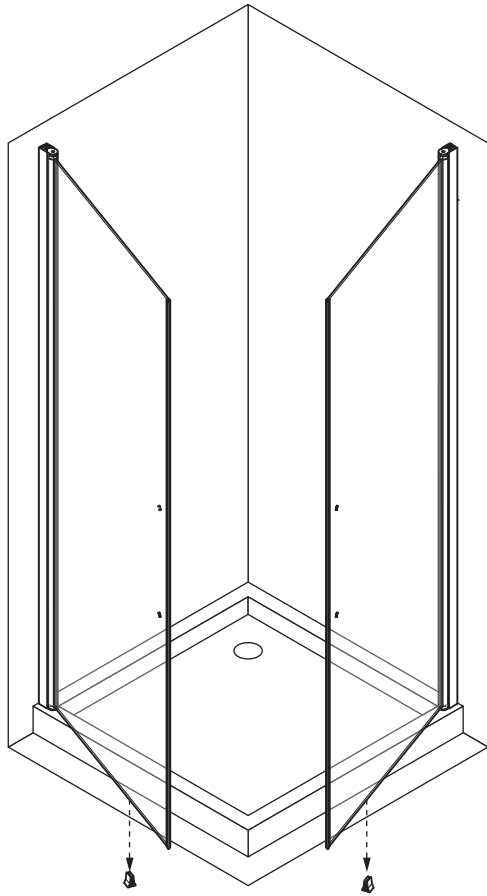
# 7



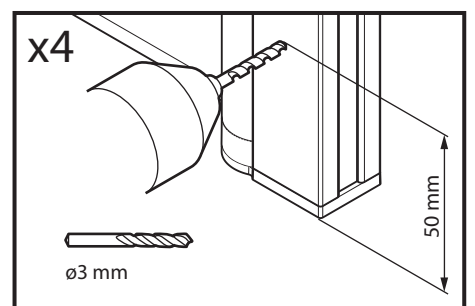
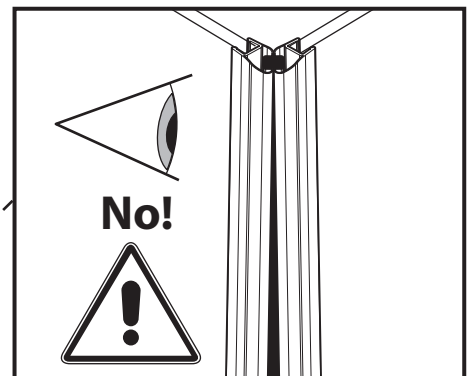
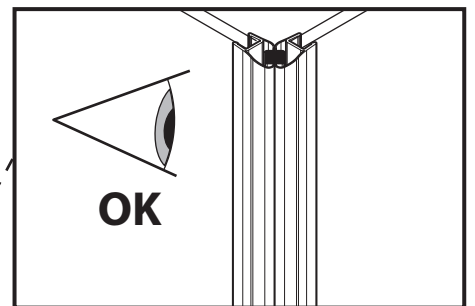
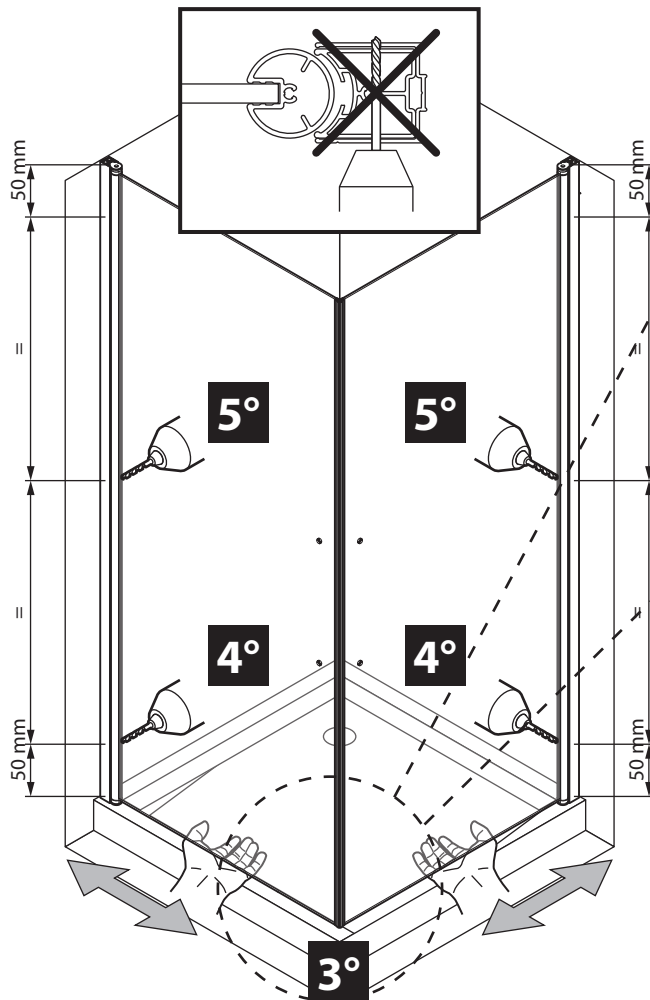
# 8



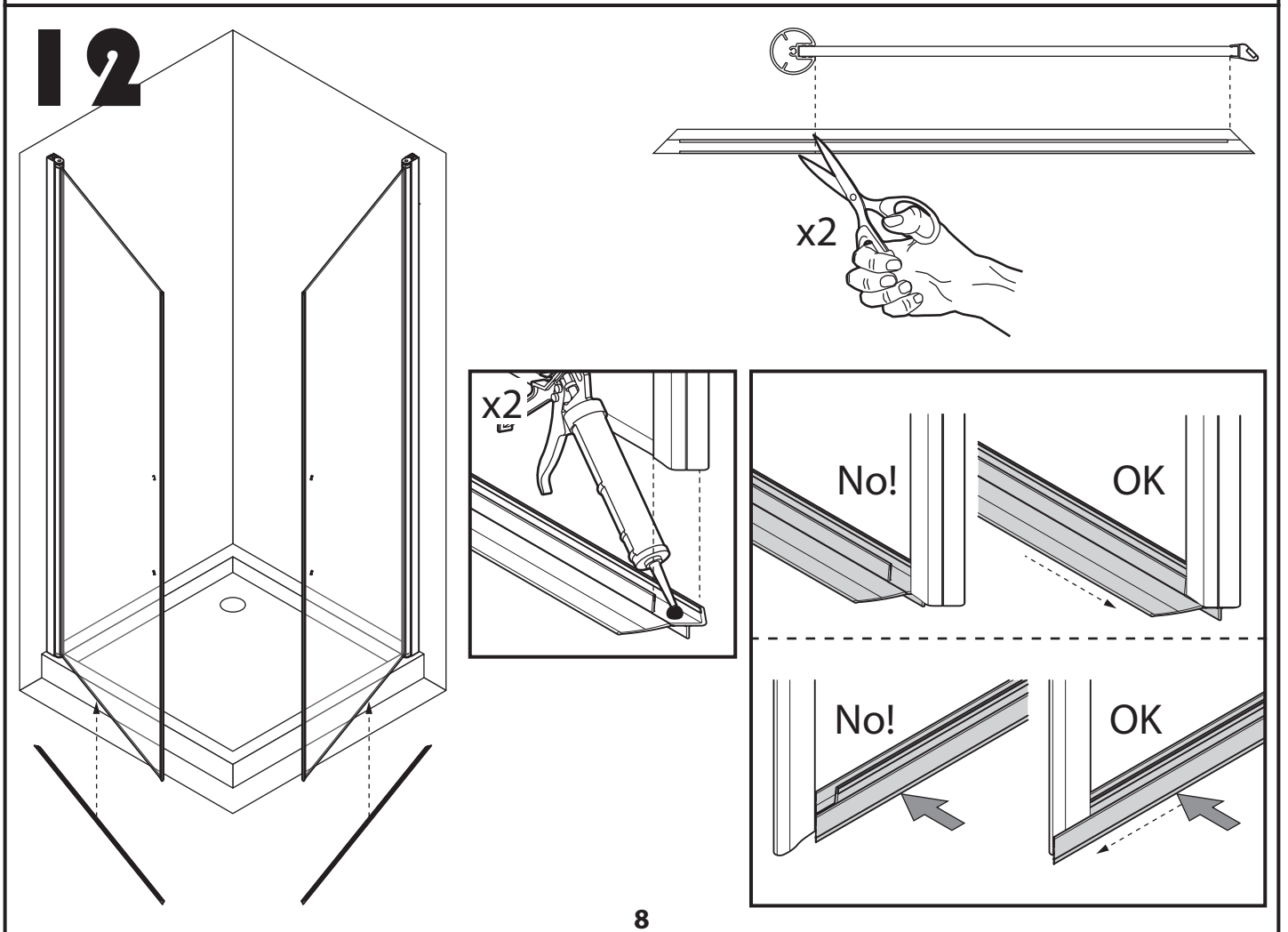
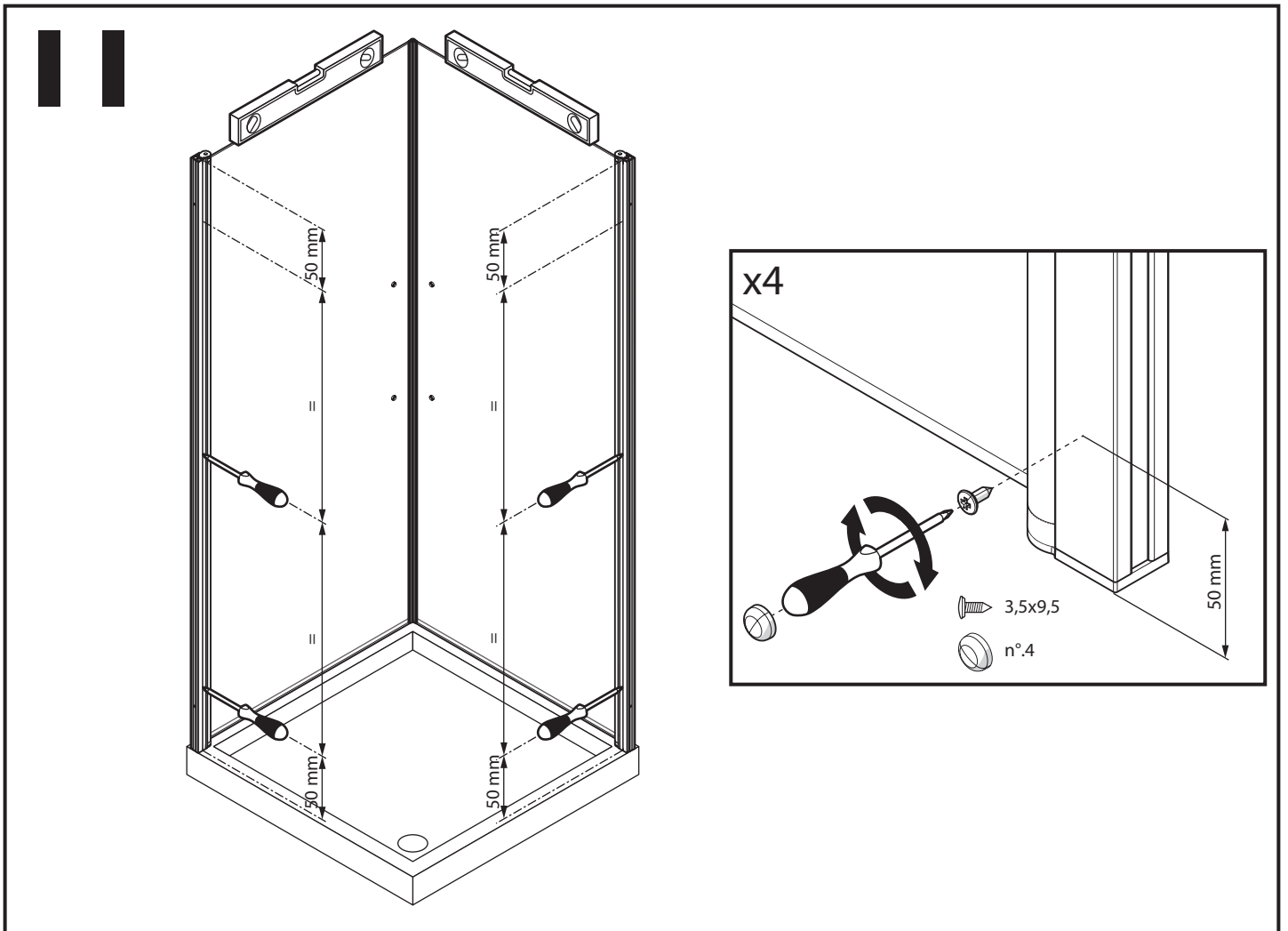
9



10

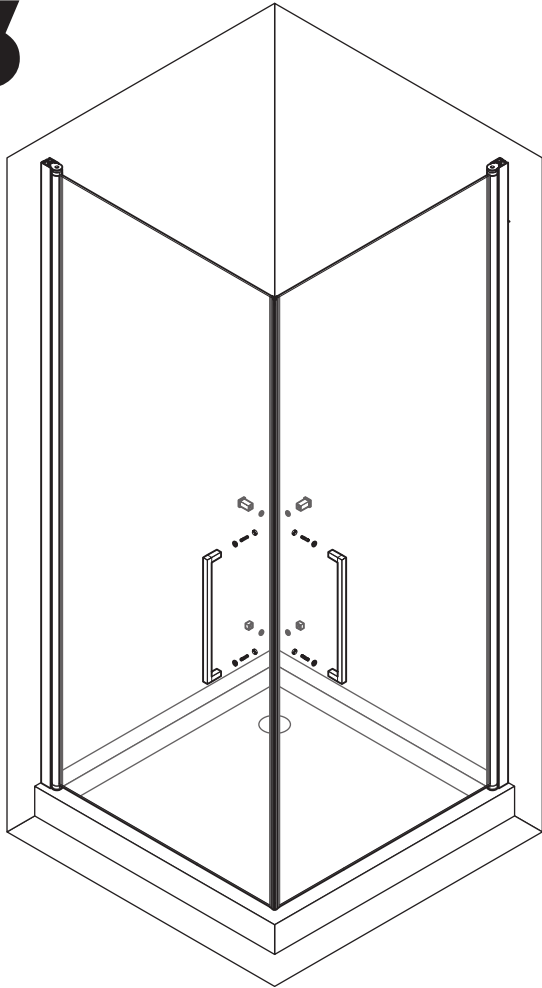


7

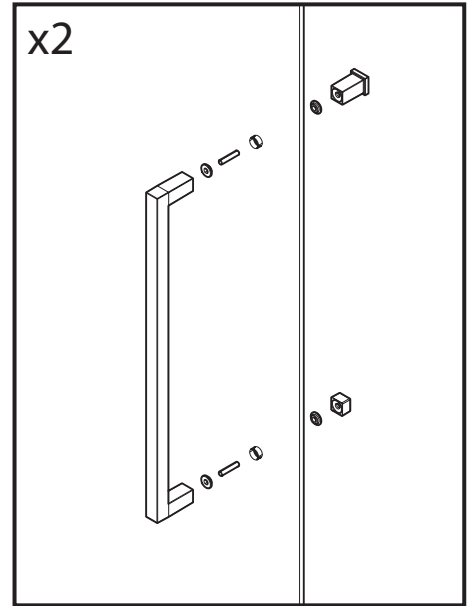




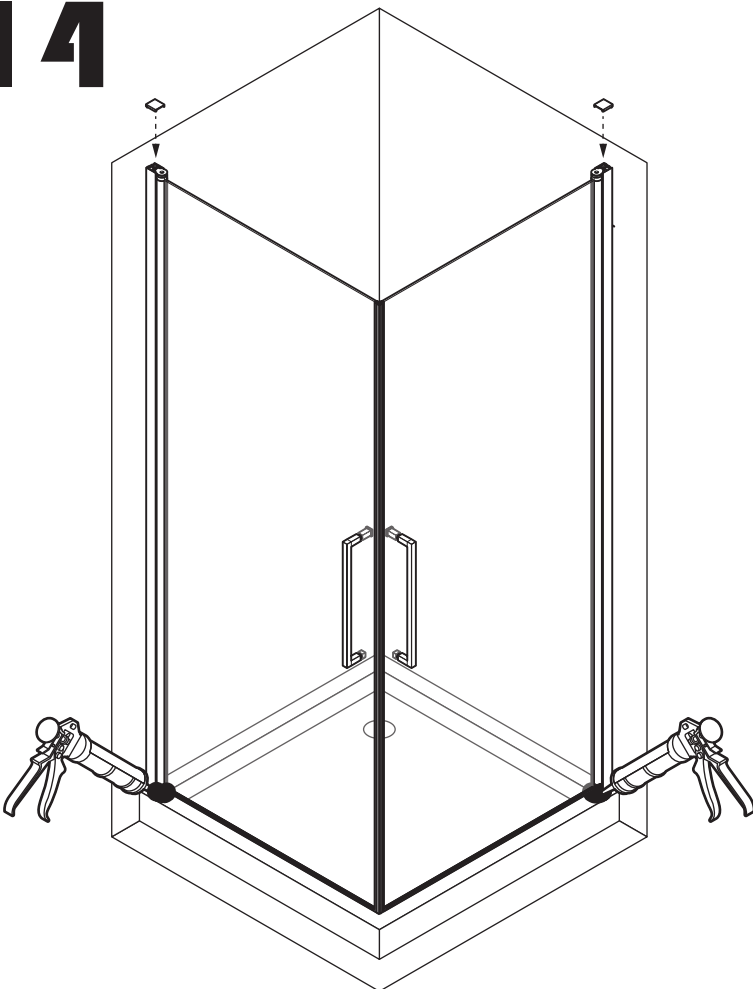
# 13



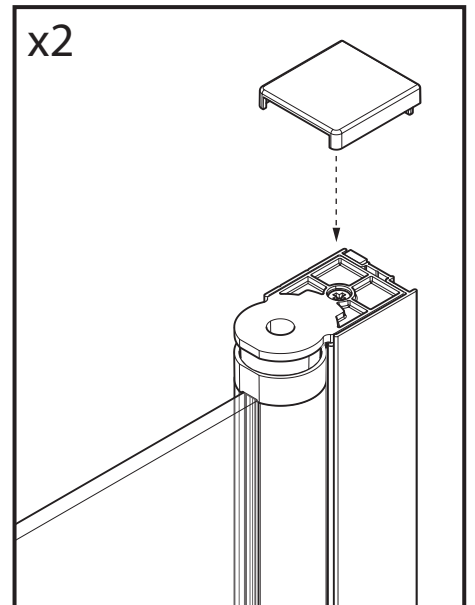
x2



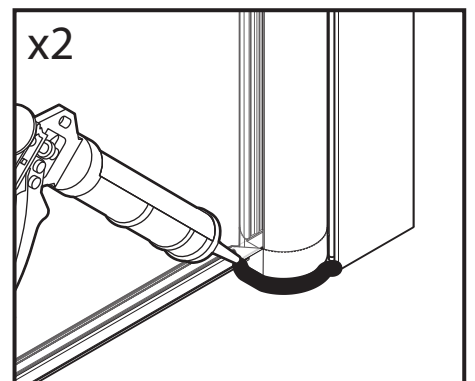
# 14



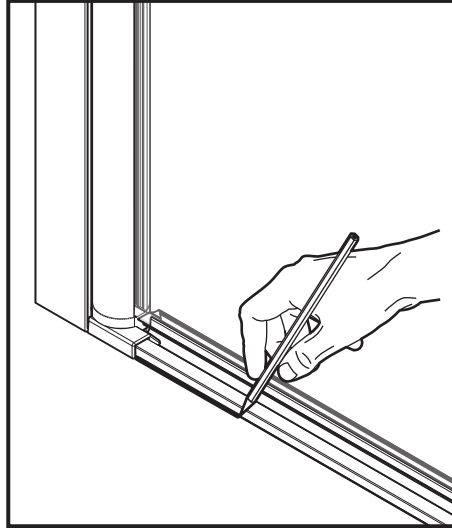
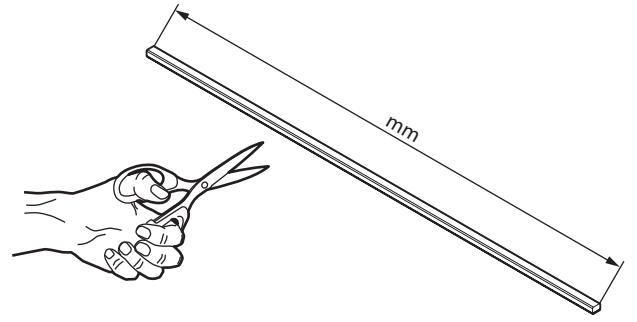
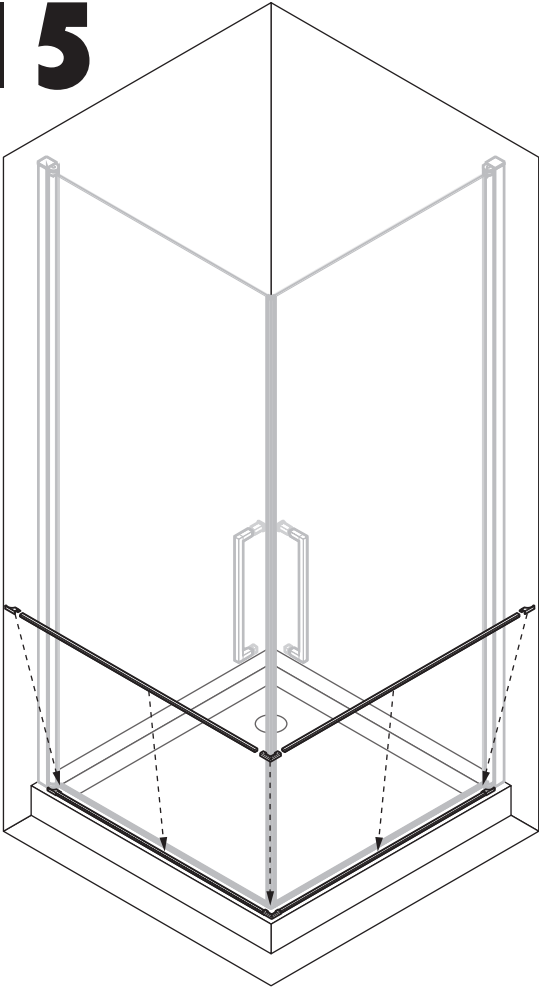
x2



x2

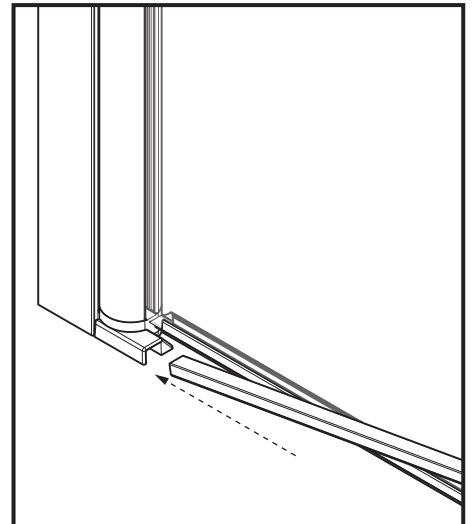
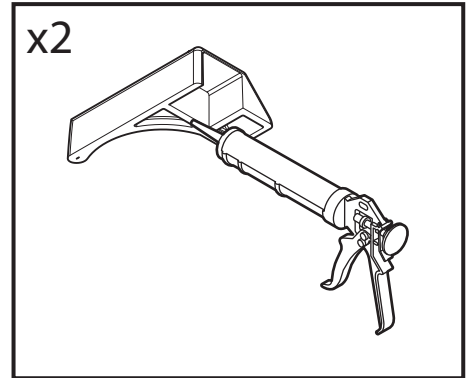
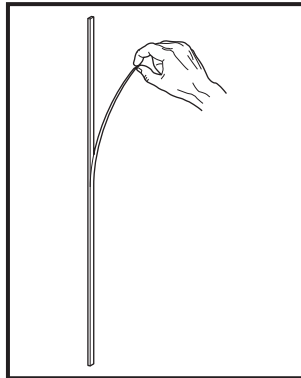
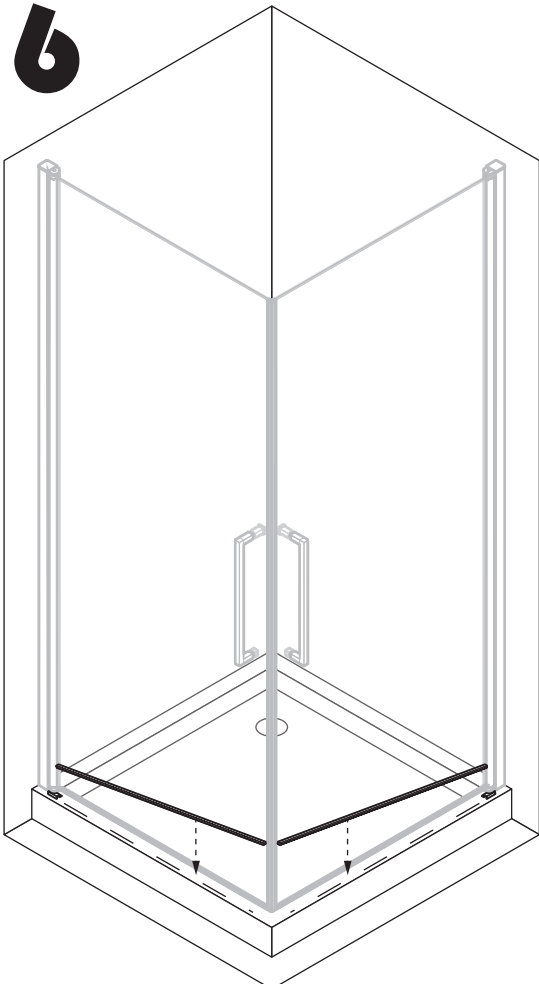


# 15

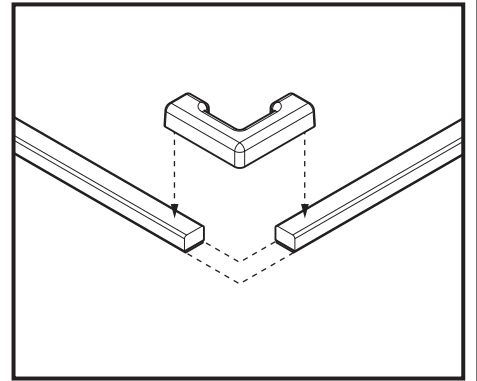
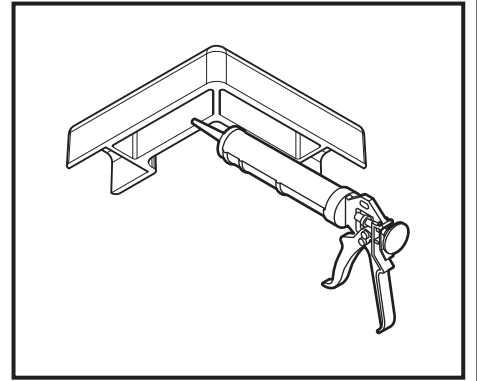
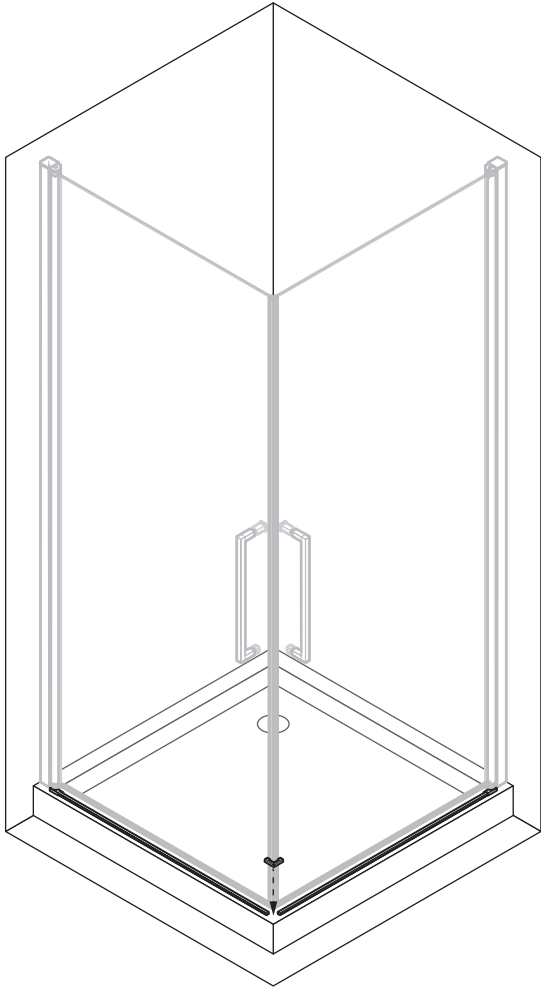


mod. 2G	mm
57-59	482
59-61	502
61-63	522
65-67	562
67-69	582
69-71	602
72-74	632
74-76	652
77-79	682
79-81	702
85-87	762
87-89	782
89-91	802
95-97	862
97-99	882
99-101	902

# 16



# 17



# 18

